



Assembly Instructions

417-00

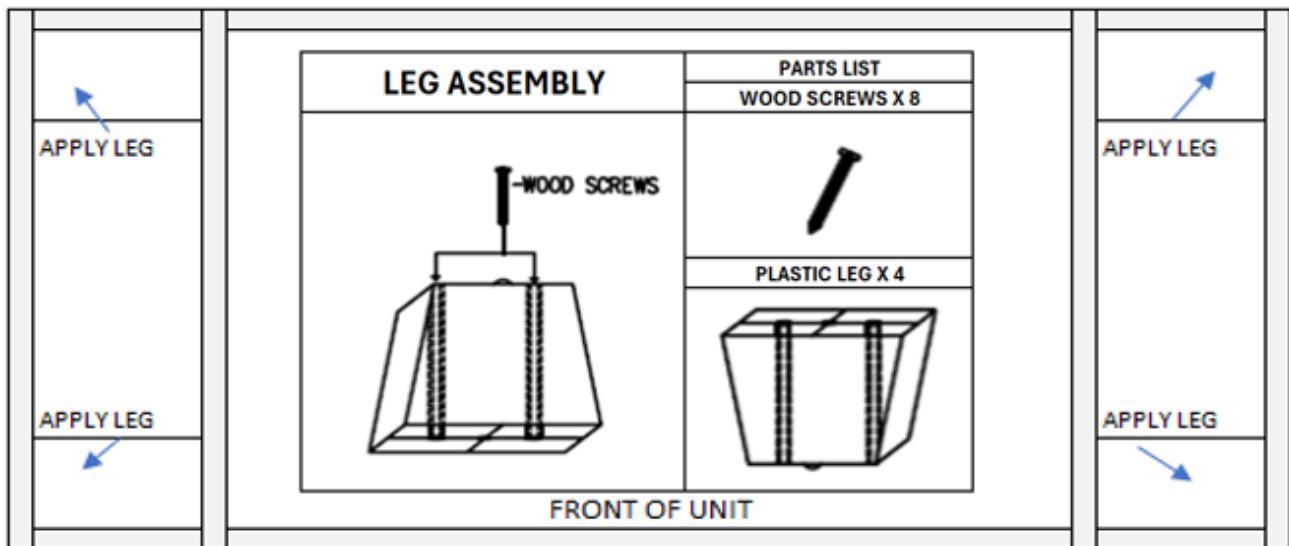
SKU # 10124179

SKU # 10124181

Manufactured by ALBI for Rooms To Go

SKU # 10124193

Hardware	Size	Thread	Qty
HEX HEAD WOOD SCREWS	1/8"W x 2"L	13	8
PLASTIC LEGS	5"W x 5"W x 4.5"H		4



The legs should be evenly aligned on each bottom corner of the unit, approximately 1/4" - 3/8" from the edge. Place 2 screws, one in each of the screw holes. Secure the legs to the frame using a hex-head screwdriver bit and a power drill. **Do not over tighten screws.**

Assembly Tools needed, but not included - Hex-Head screwdriver bit, and power drill.

Hardware Pack Location Hardware can be located in the cushion seating area, in a colored bag.

Unit Type SOFA **SKU(s)#** 10124179,10124181,10124193

Version # 2 **Date:** 7/17/2024