

Manufactured for Rooms To Go

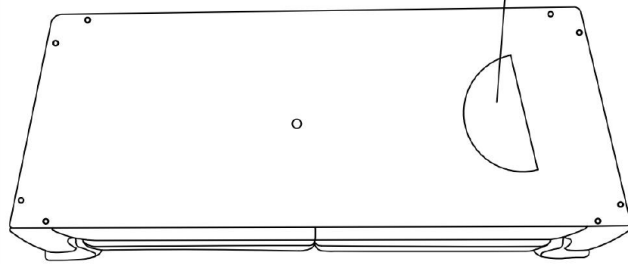
Before you begin, Please follow Assembly Instruction carefully. Then follow them step by step

PART LIST

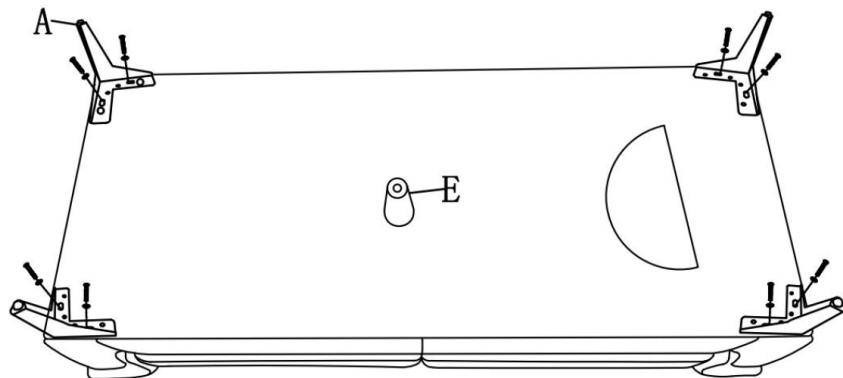
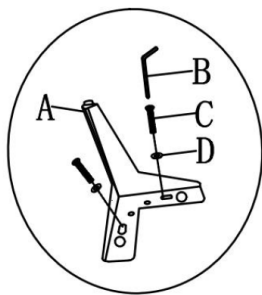
NO.	Description	Item	QTY
A	Metal Leg		x4
B	Allen Wrench		x1
C	Screw $\Phi 8 \times 70 \text{mm}$ Thread Count :45		x8
D	Screw $\Phi 8 \times 70 \text{mm}$		x8
E	Washer $\Phi 8 \times 16 \text{mm}$		x1

①

x4 x1
 x8 - x8 / x1



②



③

