

**TOOLS REQUIRED:NO TOOLS REQUIRED**

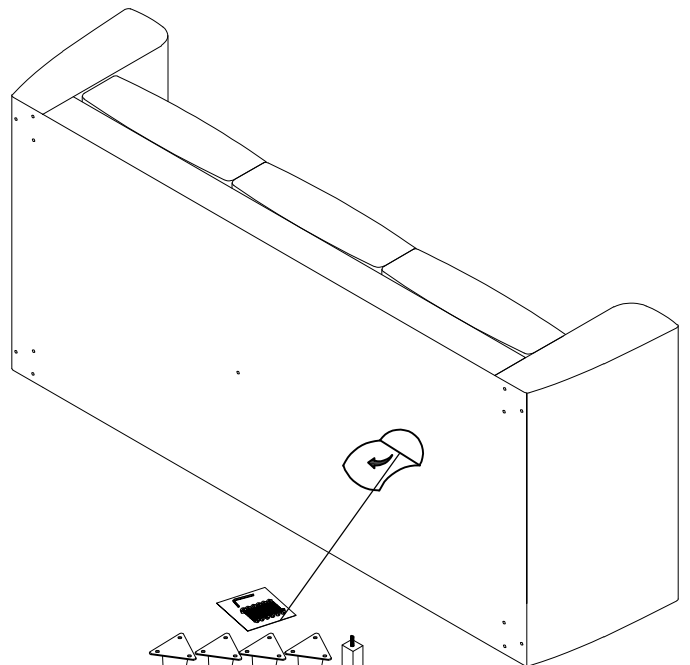
**PART LIST**

NO.	Description		Q'TY
A	SOFA		1PC
B	BACK CUSHIONS		3PCS
C	PILLOWS		2PCS
D	LEGS		4PCS
E	SUPPORT LEG		1PC
F	PLASTIC WASHER φ 2"		1PC

**HARDWARE LIST**

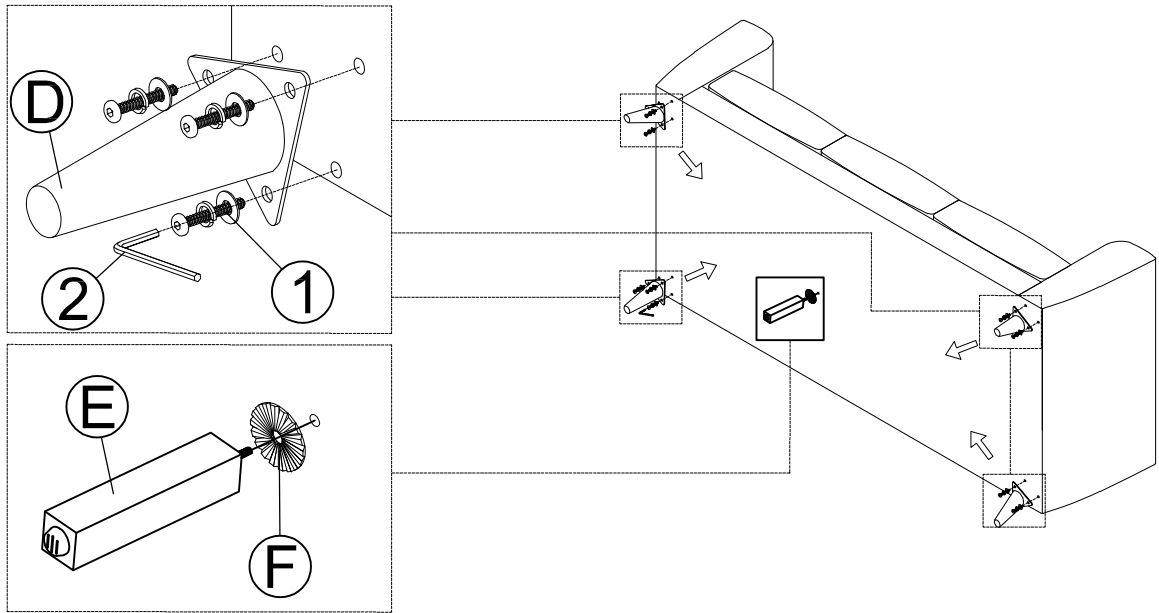
1	BOLT (1/4x18x32 <sup>m</sup> / <sub>m</sub> )		12PCS
	SPRING WASHER (1/4x13x1.5 <sup>m</sup> / <sub>m</sub> )		
	FLAT WASHER (1/4x19x2 <sup>m</sup> / <sub>m</sub> )		
2	ALLEN KEY (4 <sup>m</sup> / <sub>m</sub> x32 x75)		1PC

**STEP 1:**

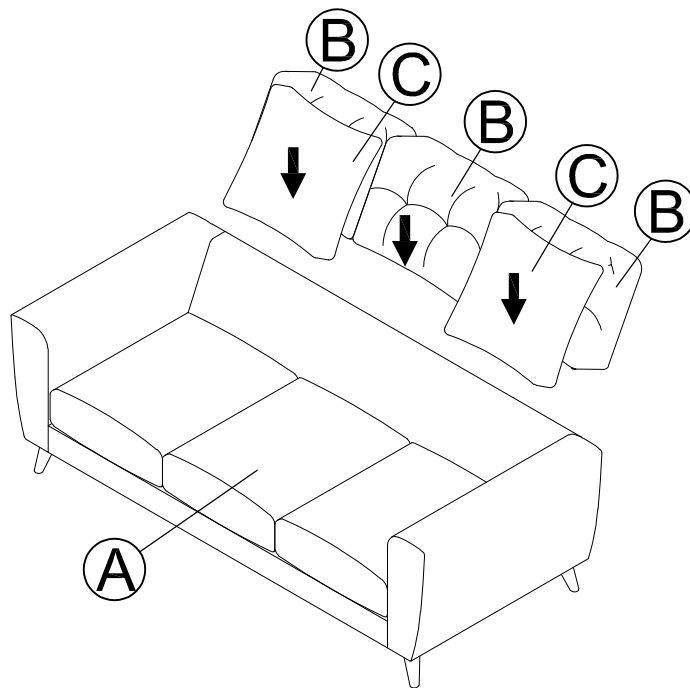


Hardware Pack + Legs inside

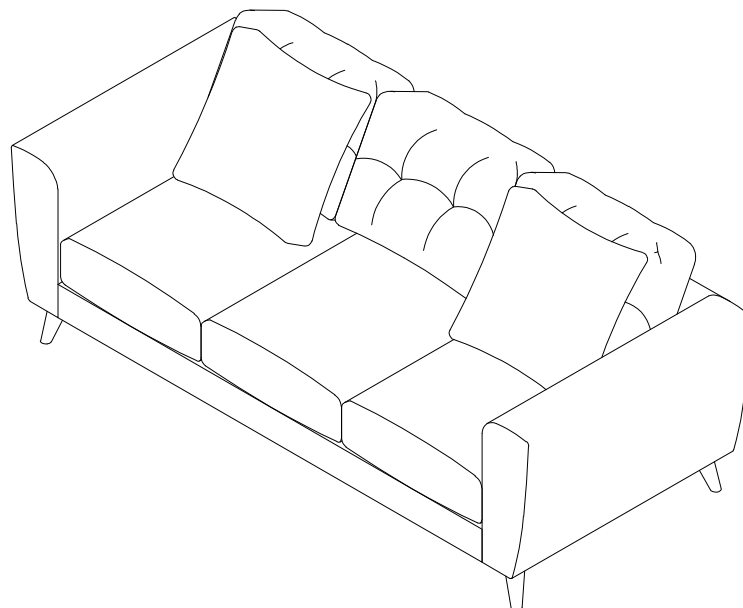
**STEP 2:**



**STEP 3:**



**Completed**



# Caring for Your Furniture

To ensure your sofa maintains its beauty, comfort, and durability for years to come, please follow these Care & Maintenance Guidelines.

## The Enemies of Furniture

To extend the life of your sofa, avoid exposure to these common threats:

- **Sunlight & Heat:** Direct sunlight or heat sources may cause fading or weakening of the fabric. Place the sofa away from strong sunlight, radiators, or heating vents.
- **Moisture:** Wipe up spills immediately and avoid placing the sofa in damp or humid areas. Excess moisture may damage both the fabric and the wooden legs.
- **Harsh Chemicals:** Do not use bleach, ammonia, or solvent-based cleaners on the fabric or on the black dust-cover underneath. Use only mild soap and clean water when needed.
- **Sharp Objects:** Keep keys, tools, pet claws, or other sharp items away from the fabric surface to prevent snags or tears.
- **Uneven Surfaces:** Place the sofa on even flooring to avoid unnecessary stress on the wooden frame, support leg and legs.

## Tips for Better Maintenance

Simple care routines will keep your sofa looking and feeling its best:

- **Weekly Dusting:** Vacuum the fabric using a soft brush attachment to remove dust and debris.
- **Spot Cleaning:** Blot (do not rub) minor stains with a mild soap solution and a clean damp cloth. Allow to air dry fully.
- **Cushion Care:** Fluff and rotate the cushion regularly to maintain its shape and comfort.
- **Wood Care:** Wipe the wooden legs using a soft, dry cloth. Avoid soaking or wet-mopping around the legs to prevent moisture absorption.
- **Hardware Check:** Periodically inspect and gently tighten the bolts underneath the sofa to maintain stability.

With proper care, your sofa will remain stylish, comfortable, and supportive for years to come.

☞ For indoor residential use only.