



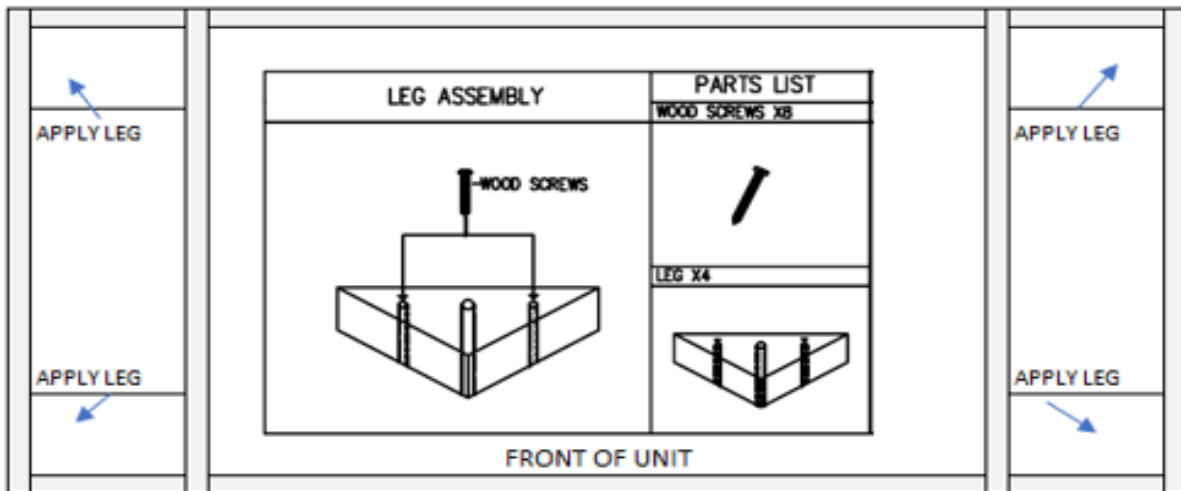
Assembly Instructions

340 -00 SOFA

Manufactured by ALBI for Rooms To Go

SKU # 10134017

Hardware	Size	Thread	Qty
HEX HEAD WOOD SCREWS	1/8"W x 2"L	13	8
TRIANGLE PLASTIC LEGS	7"W x 7"W x 7" x 2"H		4



The legs should be evenly aligned on each bottom corner of the unit, approximately 1/4" - 3/8" from the edge. Place 2 screws, one in each of the screw holes. Secure the legs to the frame using a hex-head screwdriver bit and a power drill. **Do not over tighten screws.**

Assembly Tools needed, but not included - Hex-Head screwdriver bit, and power drill.

Hardware Pack Location Hardware can be located in the cushion seating area, in a colored bag.

Unit Type SOFA SKU(s)# 10134017

Version # **1**

Date: **8/22/2023**

Page 1