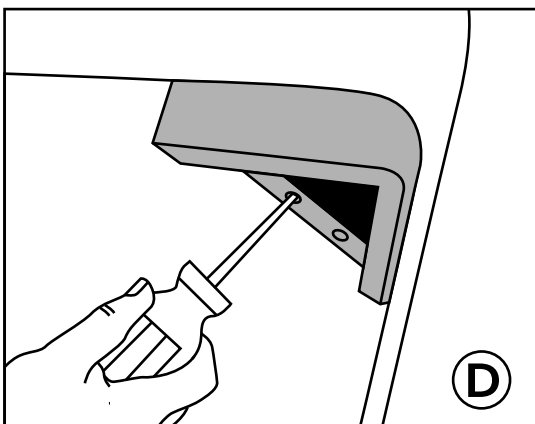
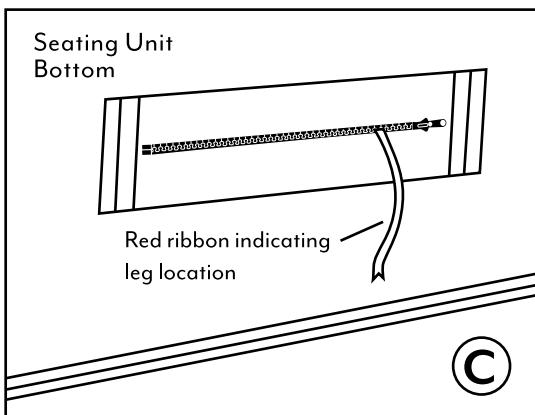
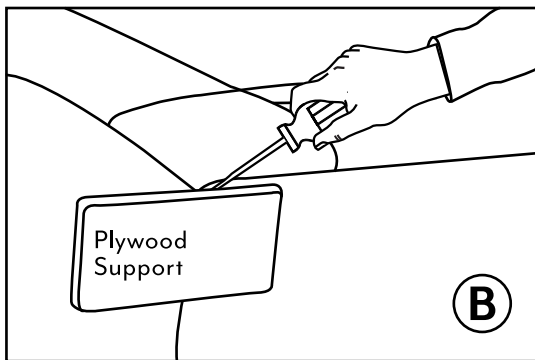
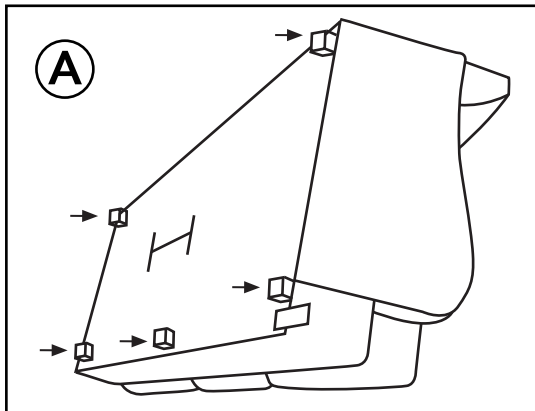


STATIONARY LEG INSTALLATION



1. Remove cardboard and plastic shipping material from seating unit.
2. Tilt unit forward from rear until it rests on the ottoman/footrest. (see diagram A)
3. If unit has plywood support, remove with a flat head screwdriver or prybar. Place flat head screwdriver or prybar between plywood support and bottom arm rail and pry up and down to remove. (see diagram B)
Note: Prybar/screwdriver not included.
4. Locate zipper pouch on underside of sofa. Unzip and remove legs and screws from pouch. Sofa (#10139322/10139310) will have 5 legs and Loveseat (#10239324/10239312), Chair (#10339326/10339314), and Ottoman (#10439328/10439316) will have 4 legs.
5. Place one leg at corner. Using a phillips head screwdriver, line up leg with holes and secure leg using 2 screws. Repeat for each leg. (see diagram D)
Note: Phillips head screwdriver not included.
6. After all legs are secure, carefully turn sofa upright.

SKU 10139322/10139310
SKU 10239324/10239312
SKU 10339326/10339314
SKU 10439328/10439316

Vendor Code: FRNK
CI-05 REV 1/23/2024