

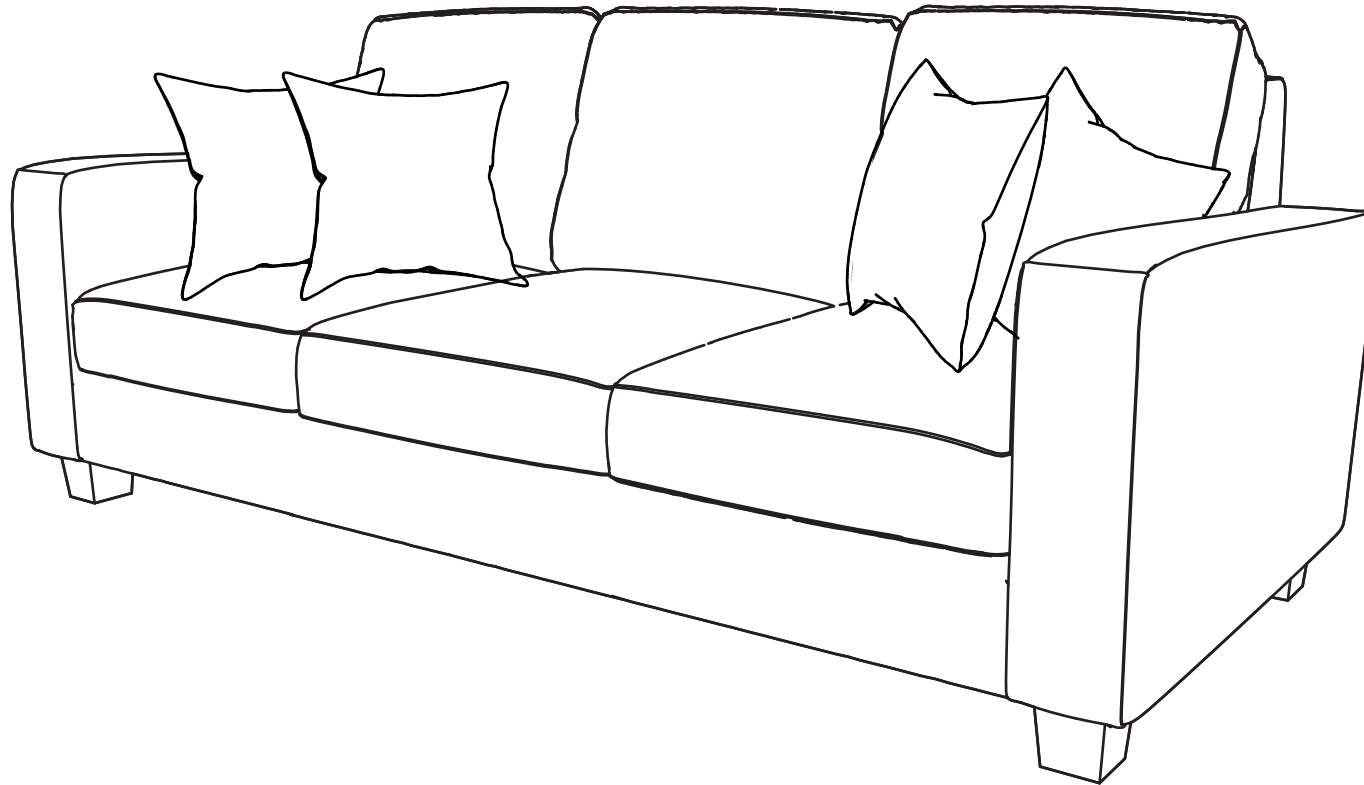
ASSEMBLY INSTRUCTION



VENDOR CODE: TXNS
STOCK#:8180-00 SOFA

SKU#:10181826
SKU#:10181838

MANUFACTURED FOR ROOMS TO GO



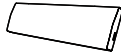
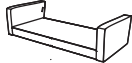








Part Location

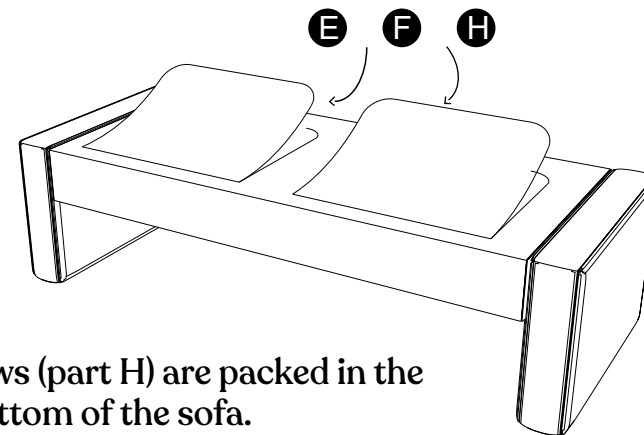
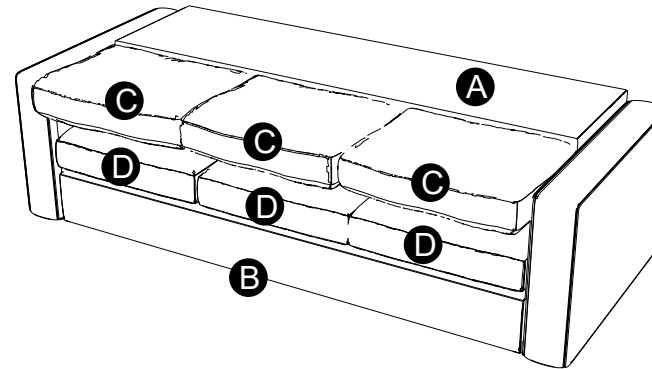
VENDOR CODE: TXNS
 STOCK#:8180-00 SOFA

SKU#:10181826
 SKU#:10181838

MANUFACTURED FOR ROOMS TO GO

TOOLS REQUIRED: NO			
PART LIST			
NO	Description	Sketch	Quantity
A	BACK		1
B	SEAT FRAME		1
C	BACK CUSHIONS		3
D	SEAT CUSHIONS		3
E	CORNER LEGS		4
F	CENTER LEG		1
G	PLASTIC WASHERS		4
H	PILLOWS		4

Seat and back cushions (part C & D) are packed stacked with the back on top (part A).



Legs (part E & F) and pillows (part H) are packed in the zippered pocket on the bottom of the sofa.



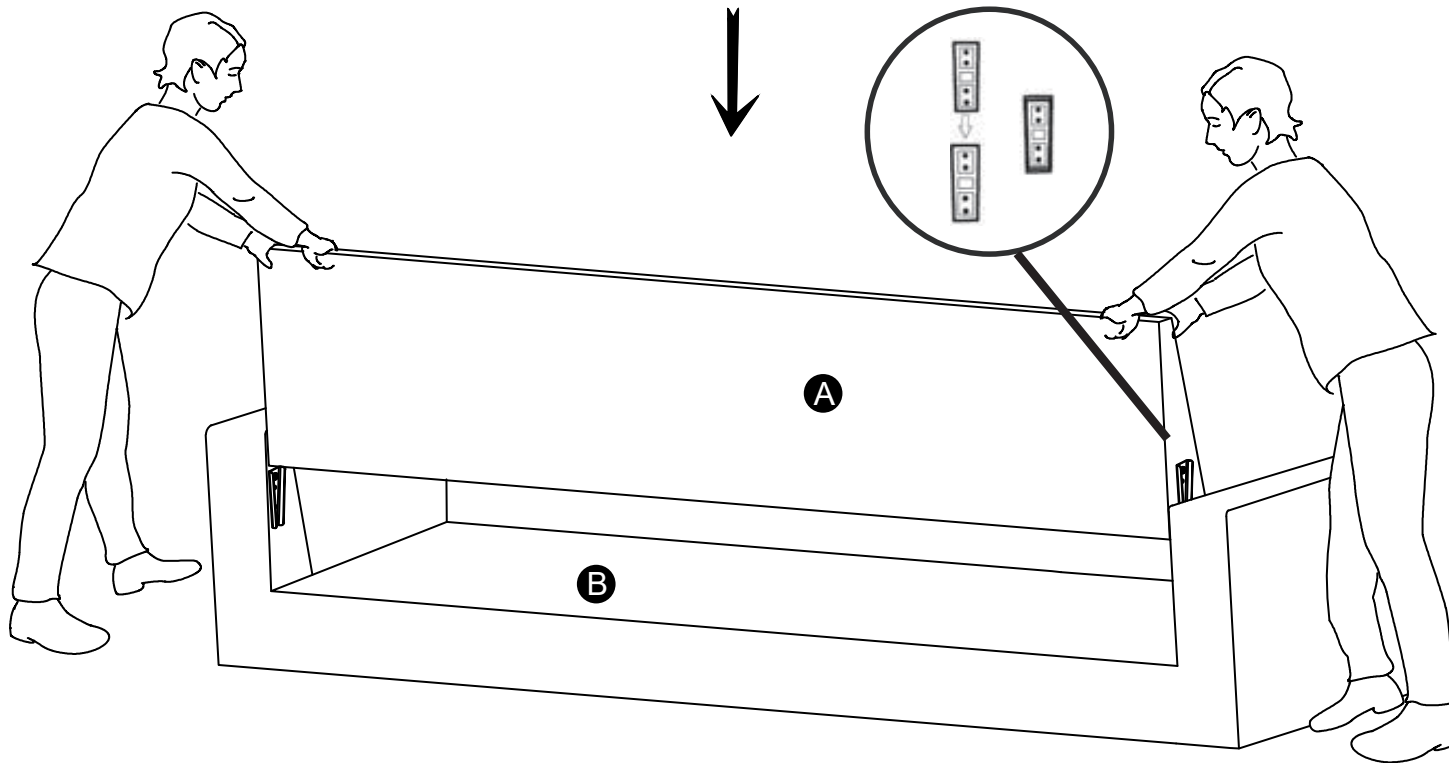
ASSEMBLY

VENDOR CODE: TXNS
STOCK#:8180-00 SOFA

SKU#:10181826
SKU#:10181838

MANUFACTURED FOR ROOMS TO GO

Step 1 Slide down backrest (part A) in brackets of arms (parts B).





ASSEMBLY

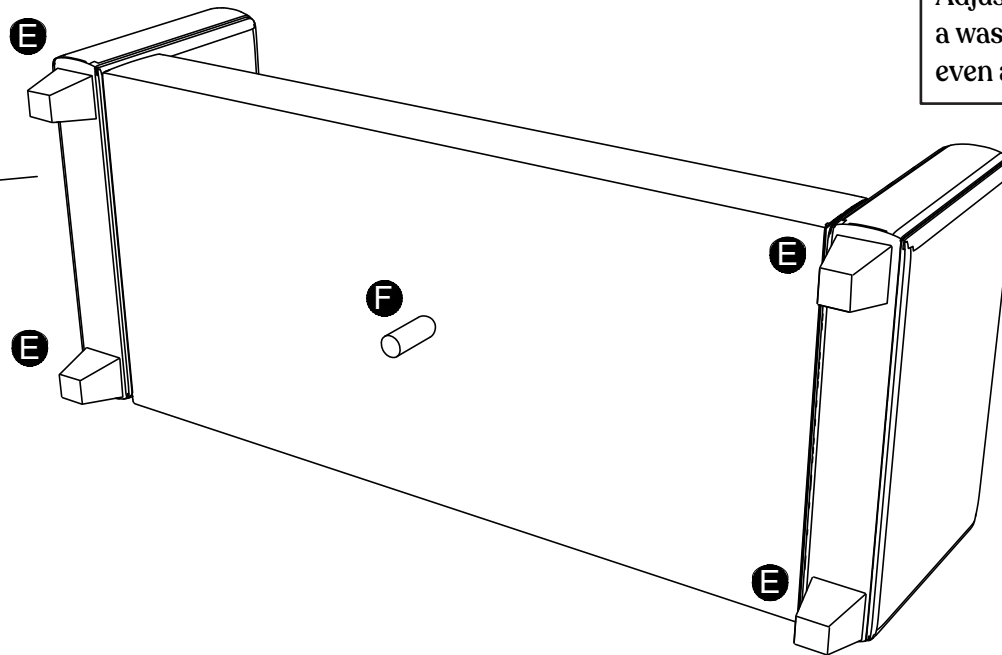
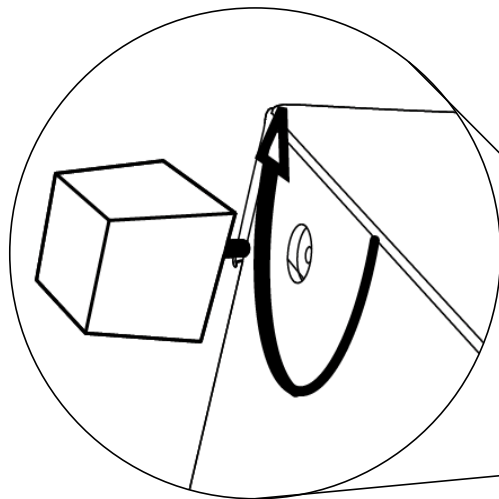
VENDOR CODE: TXNS
STOCK#:8180-00 SOFA

SKU#:10181826
SKU#:10181838

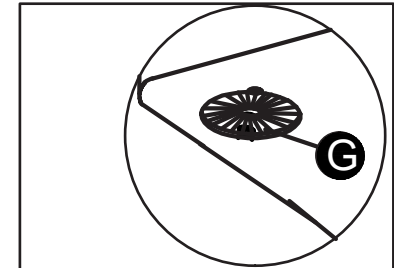
MANUFACTURED FOR ROOMS TO GO

Step 2

Screw in corner legs (parts E) and centerleg (part F) clockwise into underside of seat (parts B)



OPTIONAL



Adjust each leg by inserting a washer (G) to make it even and level with the floor.



ASSEMBLY

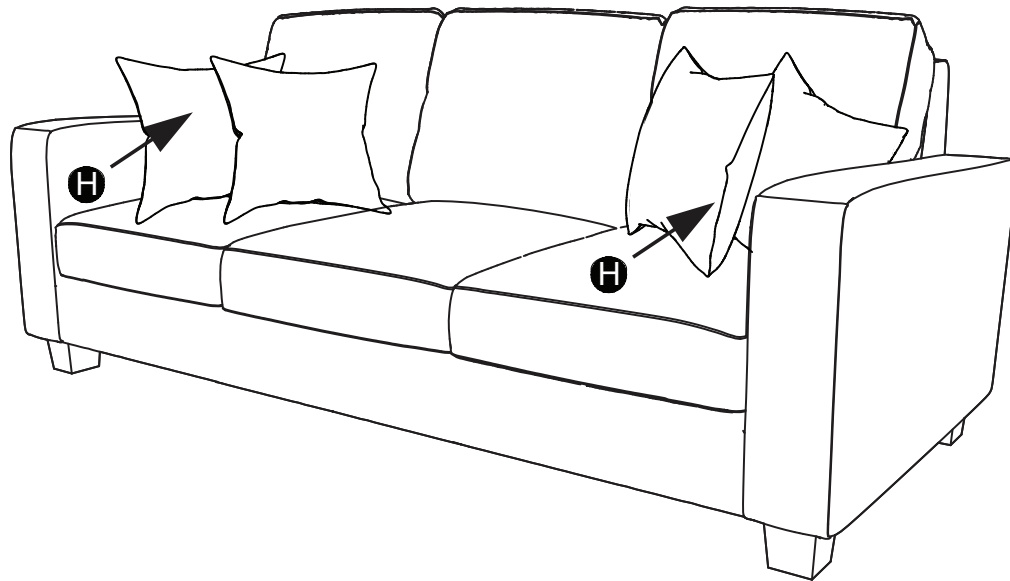
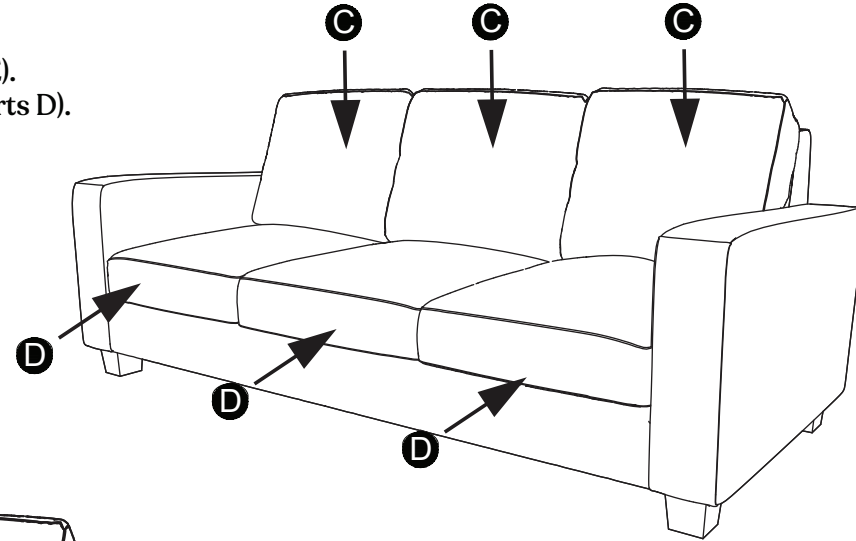
VENDOR CODE: TXNS
STOCK#:8180-00 SOFA

SKU#:10181826
SKU#:10181838

MANUFACTURED FOR ROOMS TO GO

Step 3

Add seat cushions (parts D) and back cushions (parts E).
Add throw pillows (parts H) to top of seat cushions (parts D).



ASSEMBLY



VENDOR CODE: TXNS
STOCK#:8180-00 SOFA

SKU#:10181826
SKU#:10181838

MANUFACTURED FOR ROOMS TO GO

Step 4

Secure back flap on back (part A) to seat back (part B) by pushing down and connecting velcro to finish assembly.

