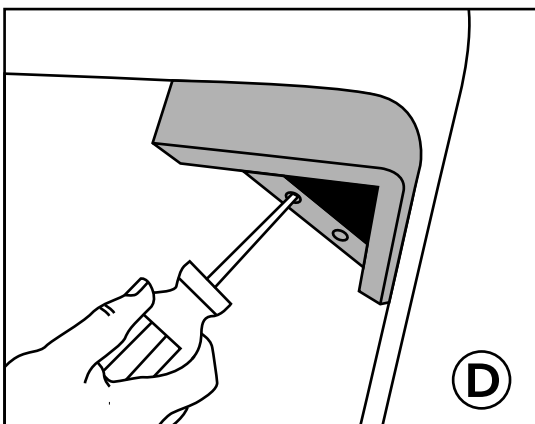
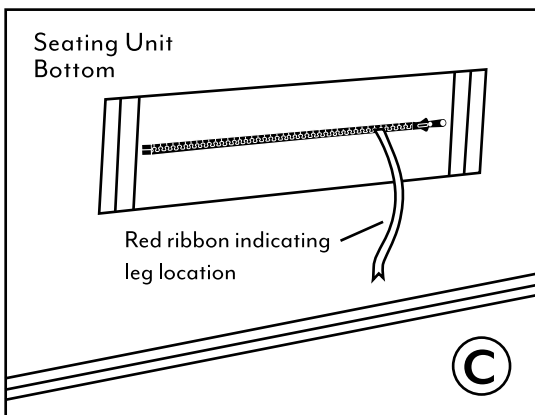
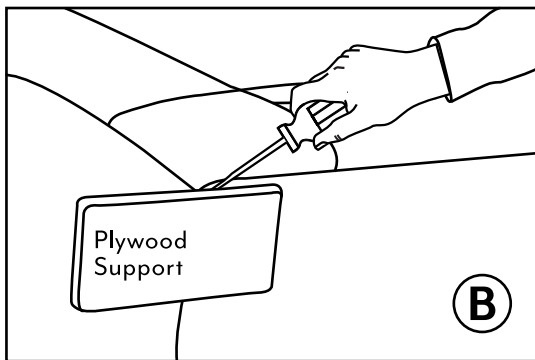
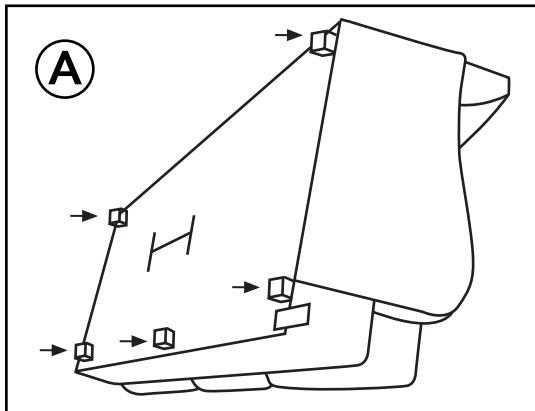


# STATIONARY LEG INSTALLATION



1. Remove cardboard and plastic shipping material from seating unit.
2. Tilt unit forward from rear until it rests on the ottoman/footrest and inside back. (see diagram A)
3. If unit has plywood support, remove with a flat head screwdriver or prybar. Place flat head screwdriver or prybar between plywood support and bottom arm rail and pry up and down to remove. (see diagram B)  
*Note: Prybar/screwdriver not included.*
4. Locate zipper pouch on underside of sofa. (see diagram C) Unzip and remove legs and screws from pouch. Sofa (#10188111/10188109) will have 4 to 5 legs depending on width of sofa, Loveseat (#10288113/10288101) and Sleeper (#10988117/10988105) will have 4 legs.
5. Place one leg at corner. Using a phillips head screwdriver, line up leg with holes and secure leg using 2 screws. Repeat for each leg. (see diagram D)  
*Note: Phillips head screwdriver not included.*
6. After all legs are secure, carefully turn sofa upright.

SKU 10188111/10188109  
SKU 10288113/10288101  
SKU 10988117/10988105

Vendor Code: FRNK  
CI-05 REV 10/24/2024