



# Assembly Instructions

417-10

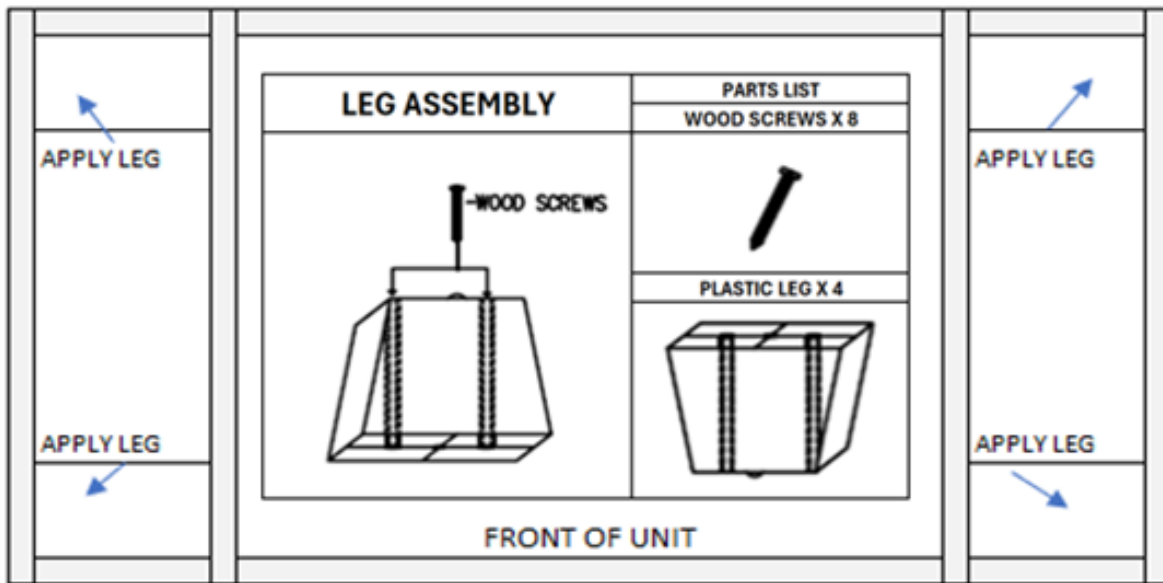
SKU # 10224171

SKU # 10224183

SKU # 10224195

Manufactured by ALBI for Rooms To Go

Hardware	Size	Thread	Qty
HEX HEAD WOOD SCREWS	1/8"W x 2"L	13	8
PLASTIC LEGS	5"W x 5"W x 4.5"H		4



The legs should be evenly aligned on each bottom corner of the unit, approximately 1/4" - 3/8" from the edge. Place 2 screws, one in each of the screw holes. Secure the legs to the frame using a hex-head screwdriver bit and a power drill. **Do not over tighten screws.**

**Assembly Tools needed, but not included** - Hex-Head screwdriver bit, and power drill.

**Hardware Pack Location** Hardware can be located in the cushion seating area, in a colored bag.

**Unit Type** LOVESEAT **SKU(s)#** 10224171,10224183,10224195

**Version #** 2 **Date:** 7/17/2024