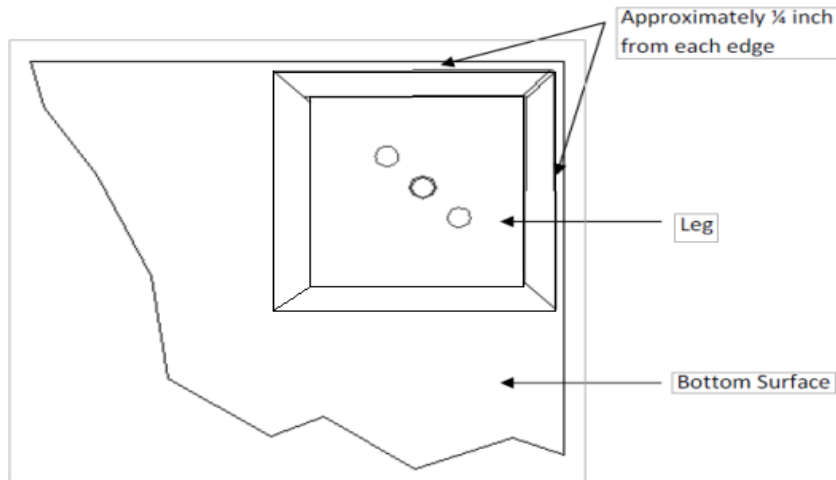


Assembly Instructions

BHOD 2520 Group

LEG ASSEMBLY

Step 1 - Working on a clean surface, turn the unit on its back with the base facing your work area. Position the leg as shown, approximately 1/4" from outside edges of bottom surface.



Parts List:

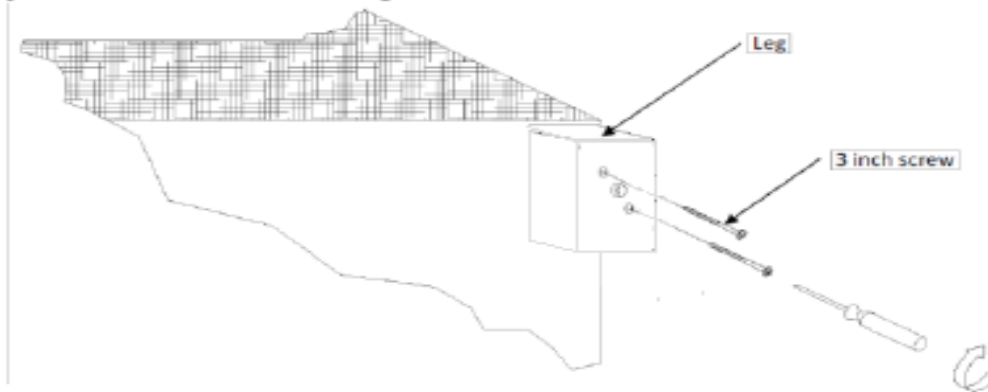
(A) 4" x 4" Leg x 4

(B) 2" Phillips head screw x 8
(pictured below)

Tools Required:

Phillips Head Screwdriver

Step 2 – Fasten the leg by inserting (2) – 3 inch screws per leg in the holes provided and screw until the leg is secure.



Screws:



Screwdriver:



Repeat steps 1 and 2 for the remaining legs. Turn the unit upright and place in the desired location.