

Vendor: SFAM

LEG ASSEMBLY INSTRUCTIONS 6129

1: Identify Legs



SKUs:

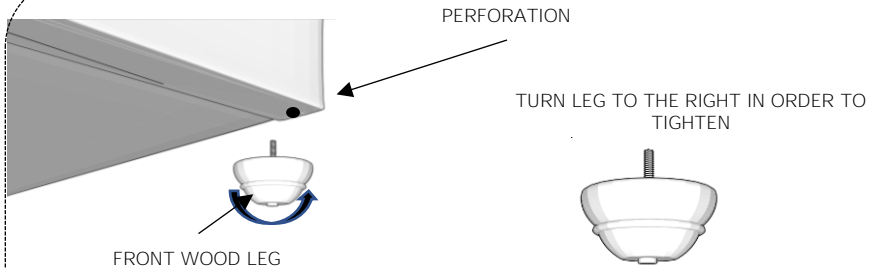
1016129, 10261294
10361296, 10161230
10261232, 10361234
10461236, 10961236
10861296

INCLUDED HARDWARE



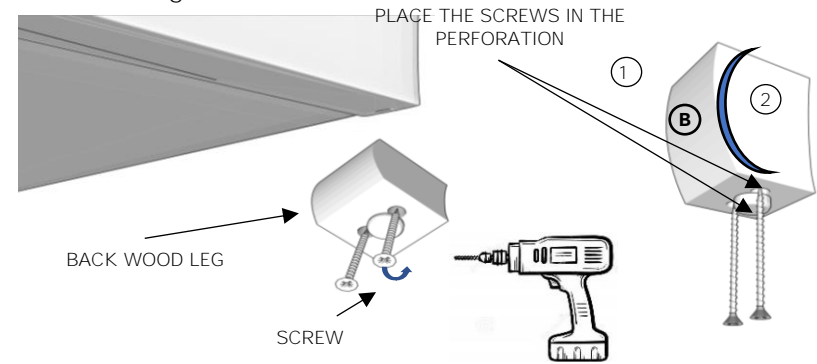
Screwdriver
NOT included.

2: Assemble front legs.



Locate the perforation in the bottom part of frame and insert the bolt of the front wood leg. Turn leg to the right until completely tight.

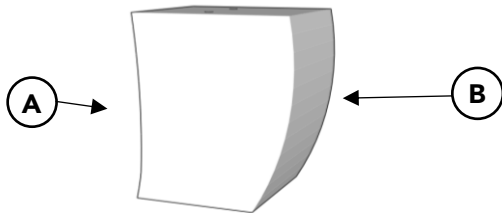
3: Screw back legs.



- 1 Place the leg in the back corner of the sofa against the wood rail inside the
- 2 Side **B** must be facing the front part of the frame.

4: Identify direction of back legs.

Back WOOD BACK



- 1 Side **B** must be facing the front part of the frame.
- 2 Side **A** must be facing the back part of the frame.

5: Inspect Final Assembly

