

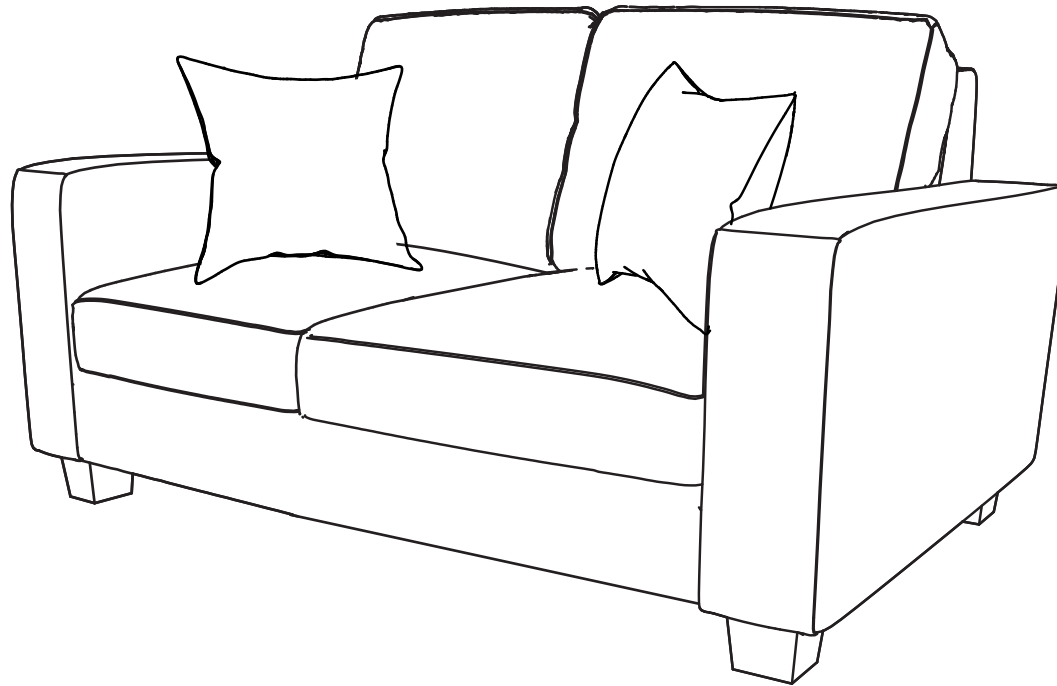
ASSEMBLY INSTRUCTION



VENDOR CODE: TXNS
STOCK#:8180-10 LOVESEAT

SKU#:10281830
SKU#:10281828

MANUFACTURED FOR ROOMS TO GO



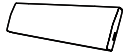
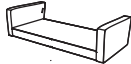







Part Location

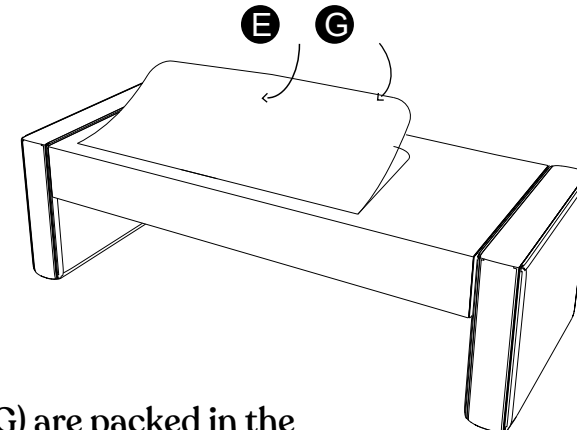
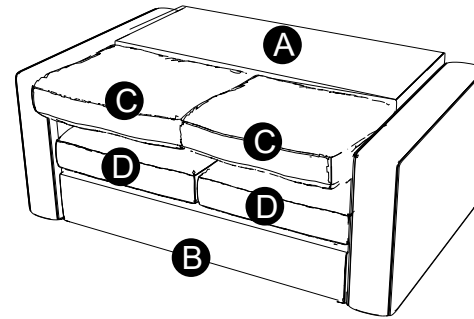
VENDOR CODE: TXNS
STOCK#:8180-10 LOVESEAT

SKU#:10281830
SKU#:10281828

MANUFACTURED FOR ROOMS TO GO

TOOLS REQUIRED: NO			
PART LIST			
NO	Description	Sketch	Quantity
A	BACK		1
B	SEAT FRAME		1
C	BACK CUSHIONS		2
D	SEAT CUSHIONS		2
E	CORNER LEGS		4
F	PLASTIC WASHERS		4
G	PILLOWS		2

Seat and back cushions (part C & D) are packed stacked with the back on top (part A).



Legs (part E) and pillows (part G) are packed in the zippered pocket on the bottom of the sofa.



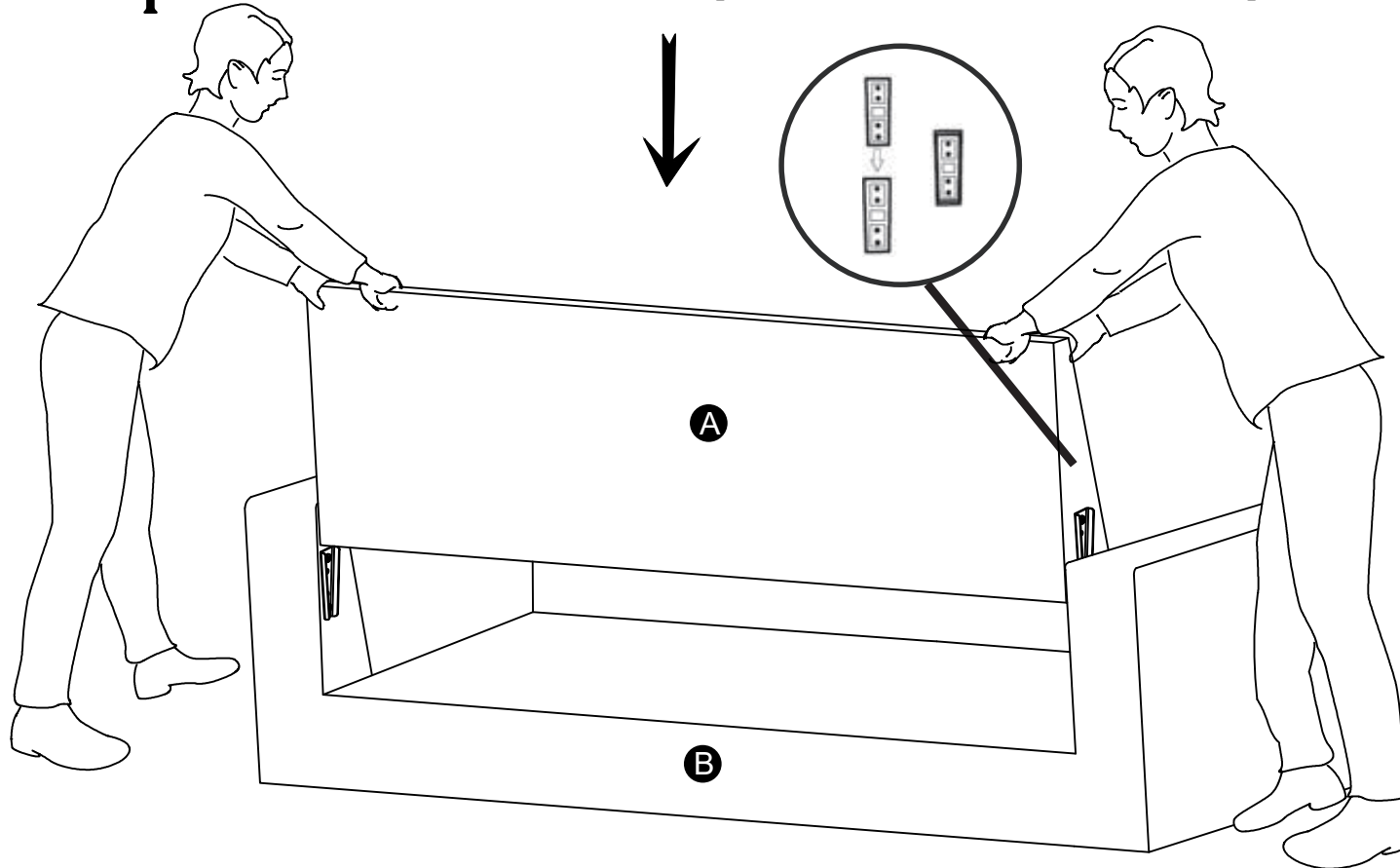
ASSEMBLY

VENDOR CODE: TXNS
STOCK#:8180-10 LOVESEAT

SKU#:10281830
SKU#:10281828

MANUFACTURED FOR ROOMS TO GO

Step 1 Slide down backrest (part A) in brackets of arms (parts B).





ASSEMBLY

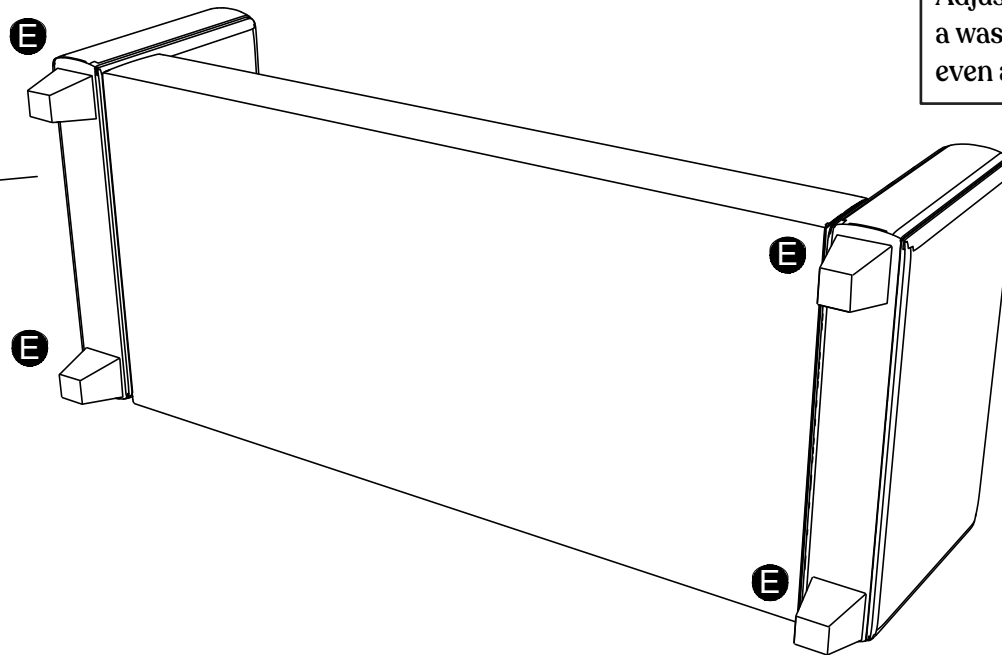
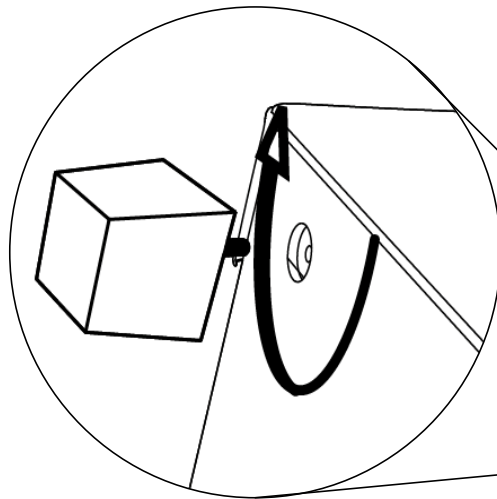
VENDOR CODE: TXNS
STOCK#:8180-10 LOVESEAT

SKU#:10281830
SKU#:10281828

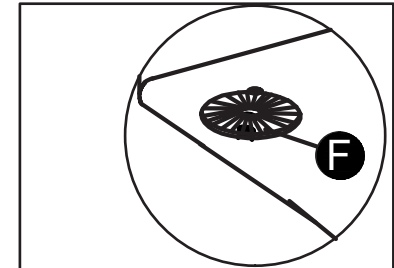
MANUFACTURED FOR ROOMS TO GO

Step 2

Screw in corner legs (parts E) and clockwise into underside of seat (parts B)



OPTIONAL



Adjust each leg by inserting a washer (F) to make it even and level with the floor.

ASSEMBLY



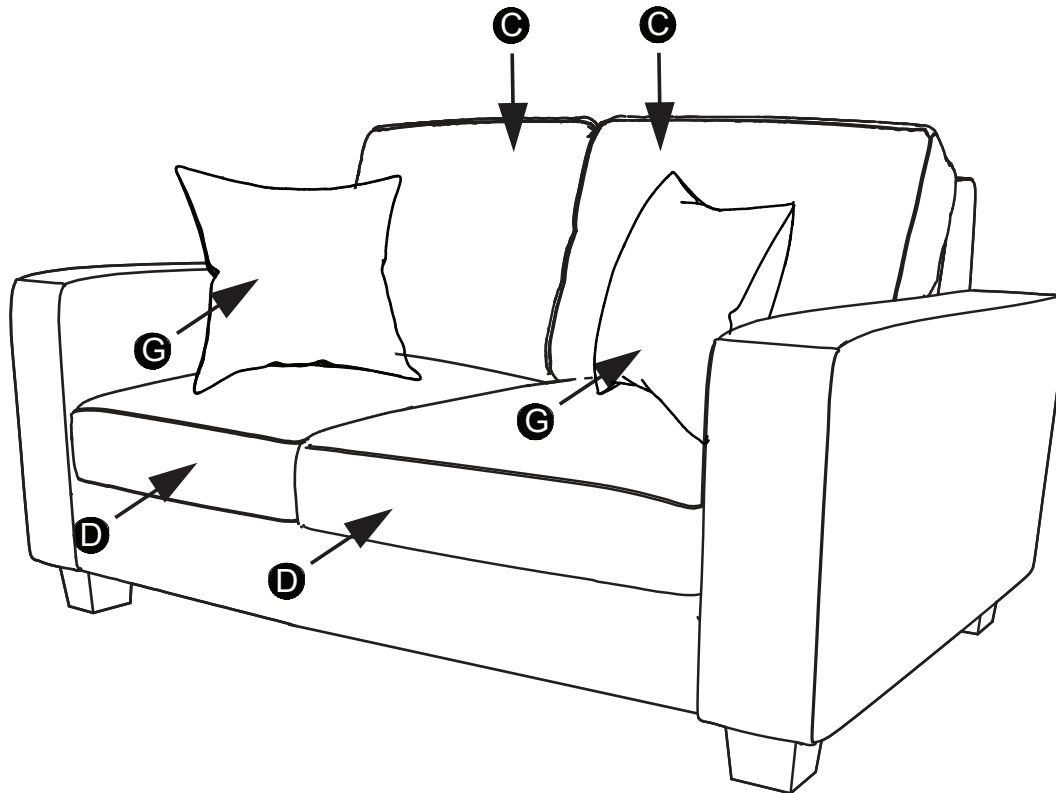
VENDOR CODE: TXNS
STOCK#:8180-10 LOVESEAT

SKU#:10281830
SKU#:10281828

MANUFACTURED FOR ROOMS TO GO

Step 3

Add seat cushions (parts D) and back cushions (parts C).
Add throw pillows (parts G) to top of seat cushions (parts D).



ASSEMBLY



VENDOR CODE: TXNS
STOCK#:8180-10 LOVESEAT

SKU#:10281830
SKU#:10281828

MANUFACTURED FOR ROOMS TO GO

Step 4

Secure back flap on back (part A) to seat back (part B) by pushing down and connecting velcro to finish assembly.

