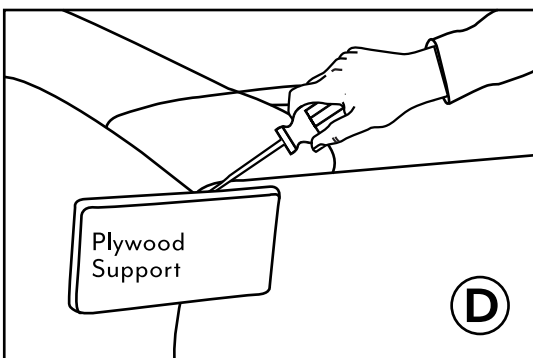
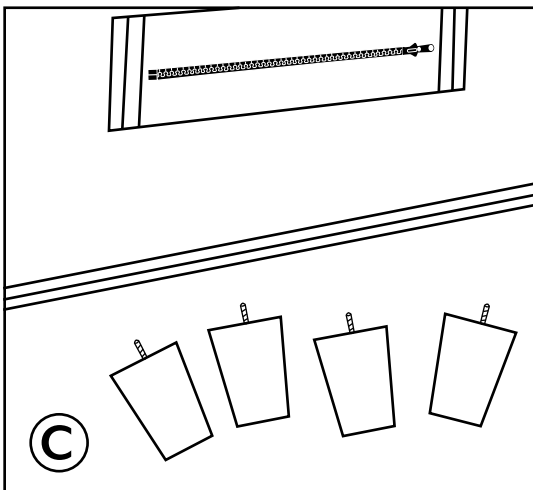
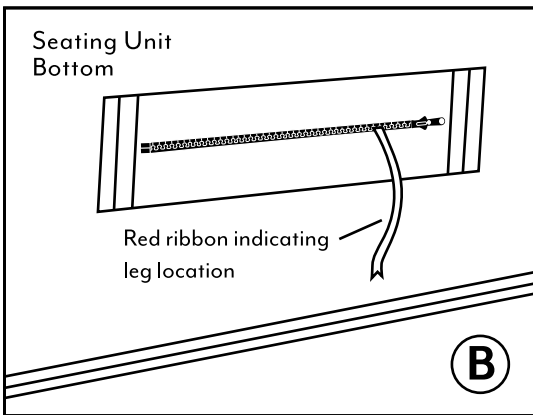
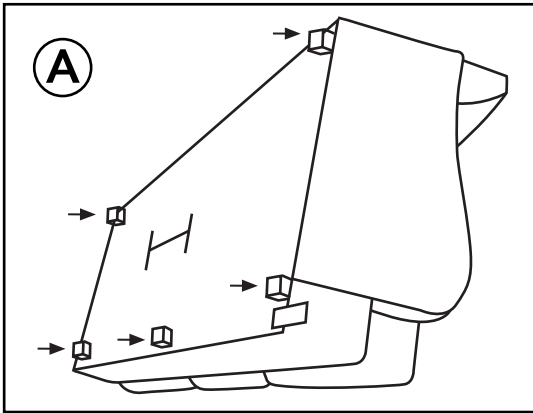
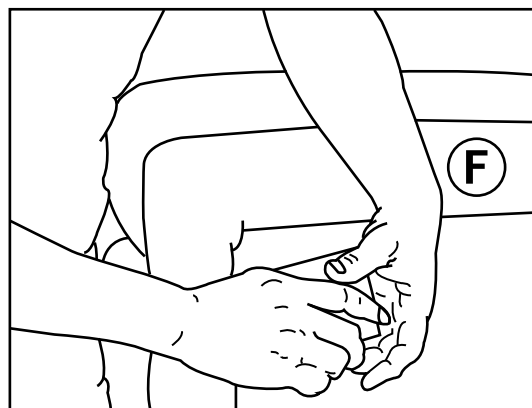
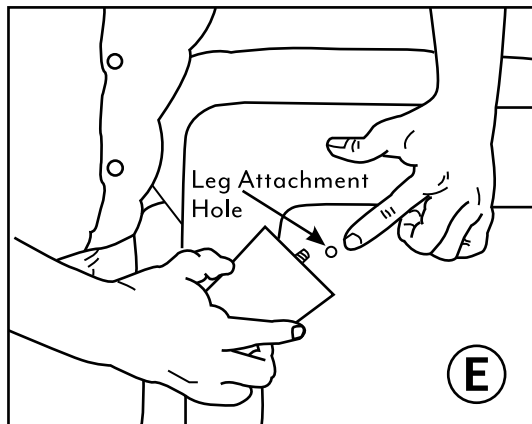


LEG STORAGE AND ATTACHMENT INSTRUCTIONS



1. Remove cardboard and plastic shipping material from seating unit.
2. Tilt unit forward from rear until it rests on the ottoman/footrest. (see diagram A)
3. Remove 4 wooden blocks using a flat head screwdriver or prybar to pry them from the unit. (see diagram A)
4. Find zippered storage pouch in bottom of seating unit. (see diagram B)
5. Seating unit legs are shipped inside zippered pouch. Remove legs from pouch and unwrap protective material. (see diagram C)
6. If unit has plywood support, remove with a flat head screwdriver or prybar. Place flat head screwdriver or prybar between plywood support and bottom arm rail and pry up and down to remove. (see diagram D) *Note - Screwdriver/prybar not included.*
7. Locate threaded leg attachment holes in bottom corners and center of unit. Sofa (#10108721) will have 5 legs and loveseat (#10208723), Chair (#10308725) and Ottoman (#10408727) will have 4 legs. Line up bolt in bottom of leg with threaded hole and screw into place until tight. (see diagrams E and F)
8. When all legs are secure in place, tip seating unit to upright position and enjoy.



SKU 10108721
 SKU 10208723
 SKU 10308725
 SKU 10408727

Vendor code: FRNK
 CI-51 REV 8/30/2023