

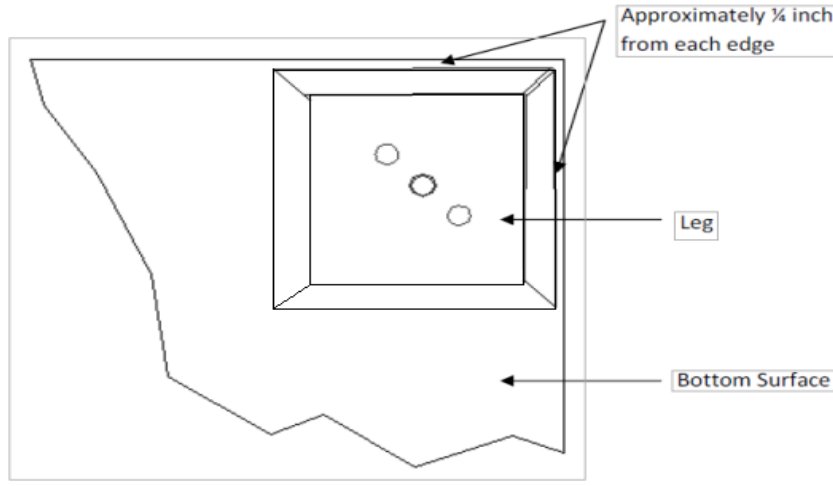


# Assembly Instructions BHOD 2095 Group

SKU#'s	
10120979	10120981
10220971	10220983
10320973	10320985
10620979	10920987
10920975	

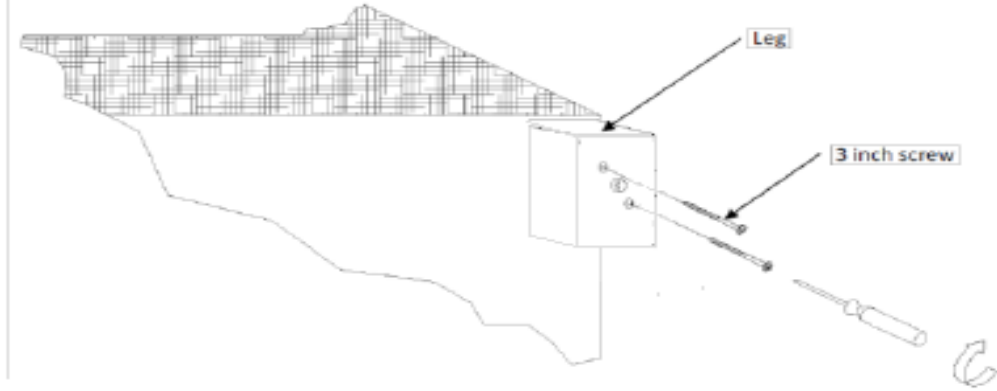
## LEG ASSEMBLY

**Step 1** - Working on a clean surface, turn the unit on its back with the base facing your work area. Position the leg as shown, approximately 1/4" from outside edges of bottom surface.



- Parts List:**  
(A) 4" x 4" Leg x 4  
(B) 2" Phillips head screw x 8  
(pictured below)  
**Tools Required:**  
Phillips Head Screwdriver

**Step 2** - Fasten the leg by inserting (2) - 3 inch screws per leg in the holes provided and screw until the leg is secure.



Repeat steps 1 and 2 for the remaining legs. Turn the unit upright and place in the desired location.