



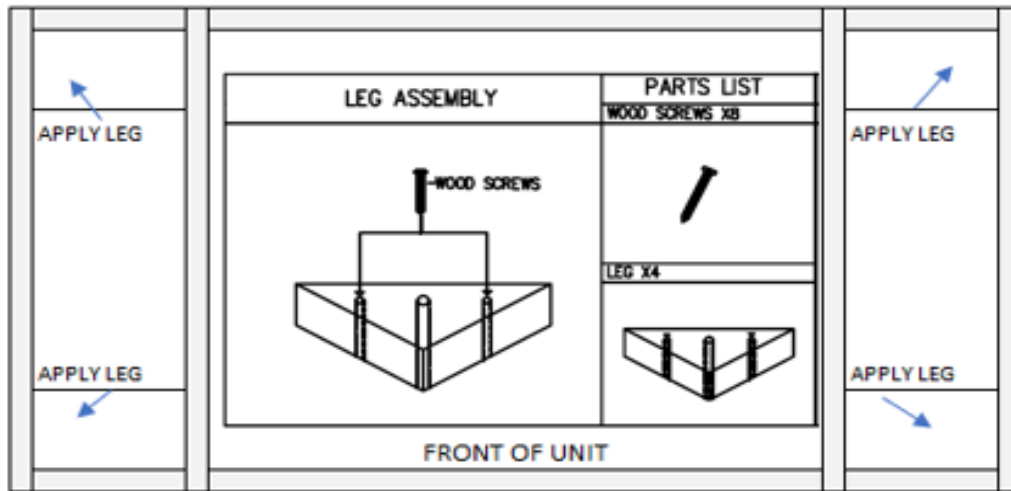
# Assembly Instructions

340 -20 CHAIR

Manufactured by ALBI for Rooms To Go

SKU # 10334011

| Hardware              | Size                 | Thread | Qty |
|-----------------------|----------------------|--------|-----|
| HEX HEAD WOOD SCREWS  | 1/8"W x 2"L          | 13     | 8   |
| TRIANGLE PLASTIC LEGS | 7"W x 7"W x 7" x 2"H |        | 4   |



The legs should be evenly aligned on each bottom corner of the unit, approximately 1/4" - 3/8" from the edge. Place 2 screws, one in each of the screw holes. Secure the legs to the frame using a hex-head screwdriver bit and a power drill. **Do not over tighten screws.**

**Assembly Tools needed, but not included** - Hex-Head screwdriver bit, and power drill.

**Hardware Pack Location** Hardware can be located in the cushion seating area, in a colored bag.

Unit Type CHAIR SKU(s)# 10334011

Version # 1

Date: 8/22/2023

Page 1