



# Assembly Instructions

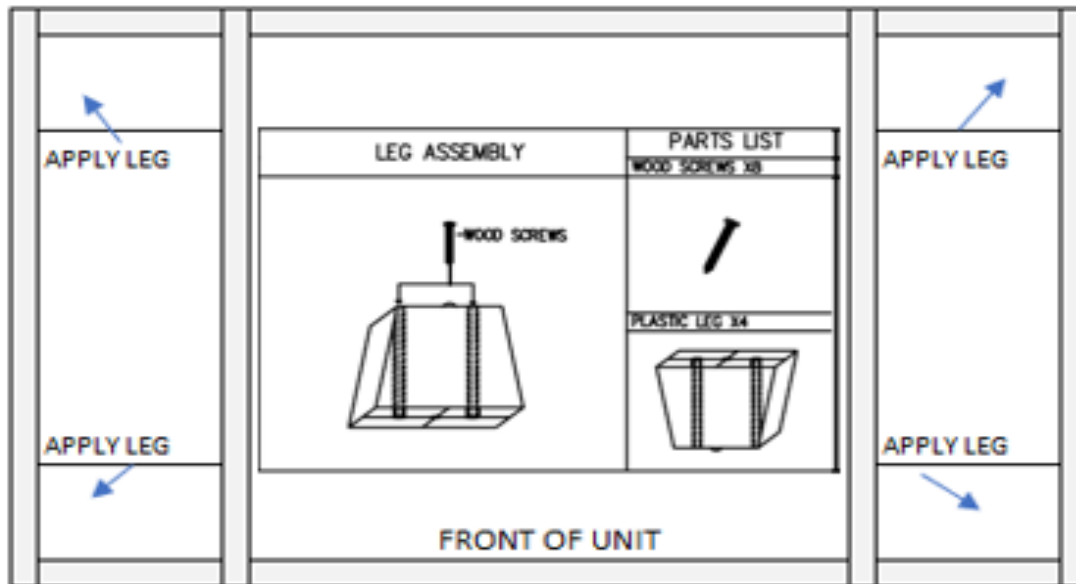
427-20-42 CHAIR, TWIN SLEEPER

SKU # 10342727

Manufactured by ALBI for Rooms To Go

SKU # 10742725

Hardware	Size	Thread	Qty
HEX HEAD WOOD SCREWS	1/8"W x 2"L	13	8
PLASTIC LEGS	5"W x 5"W x 4.5"H		4



The legs should be evenly aligned on each bottom corner of the unit, approximately 1/4" - 3/8" from the edge. Place 2 screws, one in each of the screw holes. Secure the legs to the frame using a hex-head screwdriver bit and a power drill. **Do not over tighten screws.**

**Assembly Tools needed, but not included** - Hex-Head screwdriver bit, and power drill.

**Hardware Pack Location** Hardware can be located in the cushion seating area, in a colored bag.

**Unit Type** CHAIR, TWIN SLEEPER **SKU(s)#** 10342727 10742725

**Version #** 1

**Date:** 8/8/2023

Page 1