

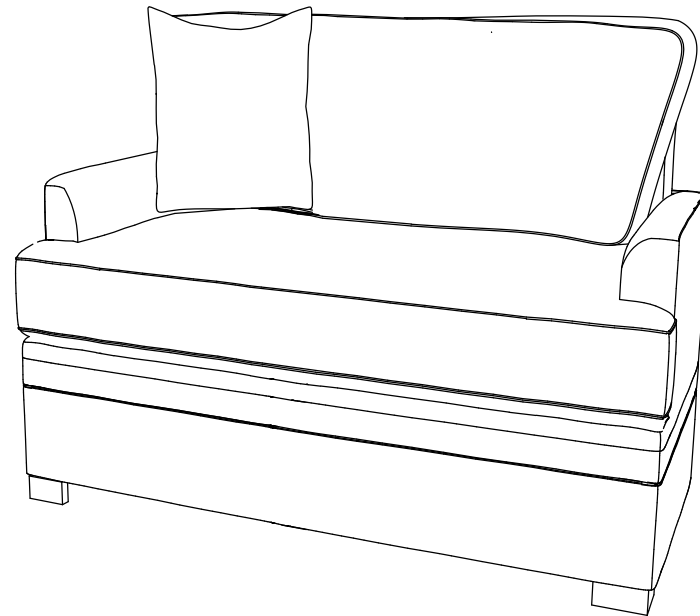
ASSEMBLY INSTRUCTION



VENDOR CODE: TXNS
STOCK#:8170-20 CHAIR

SKU#10381729
SKU#:10381717

MANUFACTURED FOR ROOMS TO GO



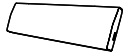



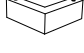





Part Location

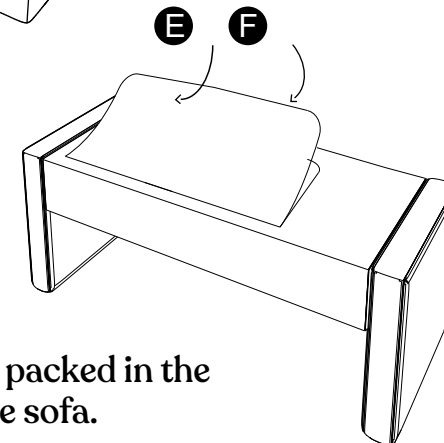
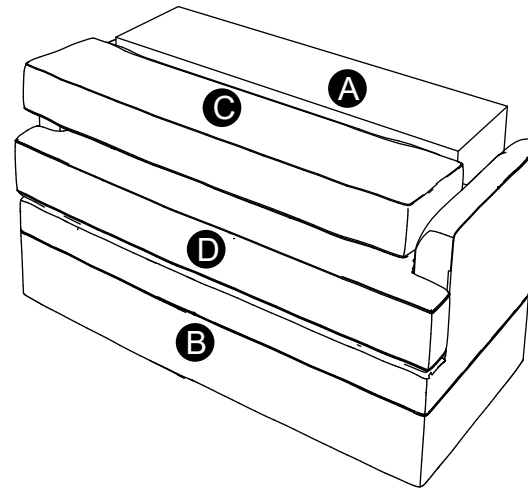
VENDOR CODE: TXNS
STOCK#:8170-20 CHAIR

SKU#10381729
SKU#:10381717

MANUFACTURED FOR ROOMS TO GO

TOOLS REQUIRED: NO			
PART LIST			
NO	Description	Sketch	Quantity
A	BACK		1
B	SEAT FRAME		1
C	BACK CUSHIONS		1
D	SEAT CUSHIONS		1
E	CORNER FEET		4
F	PILLOW		1
G	BOLTS 1/4"-20 x 45MM		8
H	Allen Key 5/32"		1

Seat and back cushions (part C & D) are packed stacked with the back on top (part A).



Legs (part E) and pillows (part F) are packed in the zippered pocket on the bottom of the sofa.



ASSEMBLY

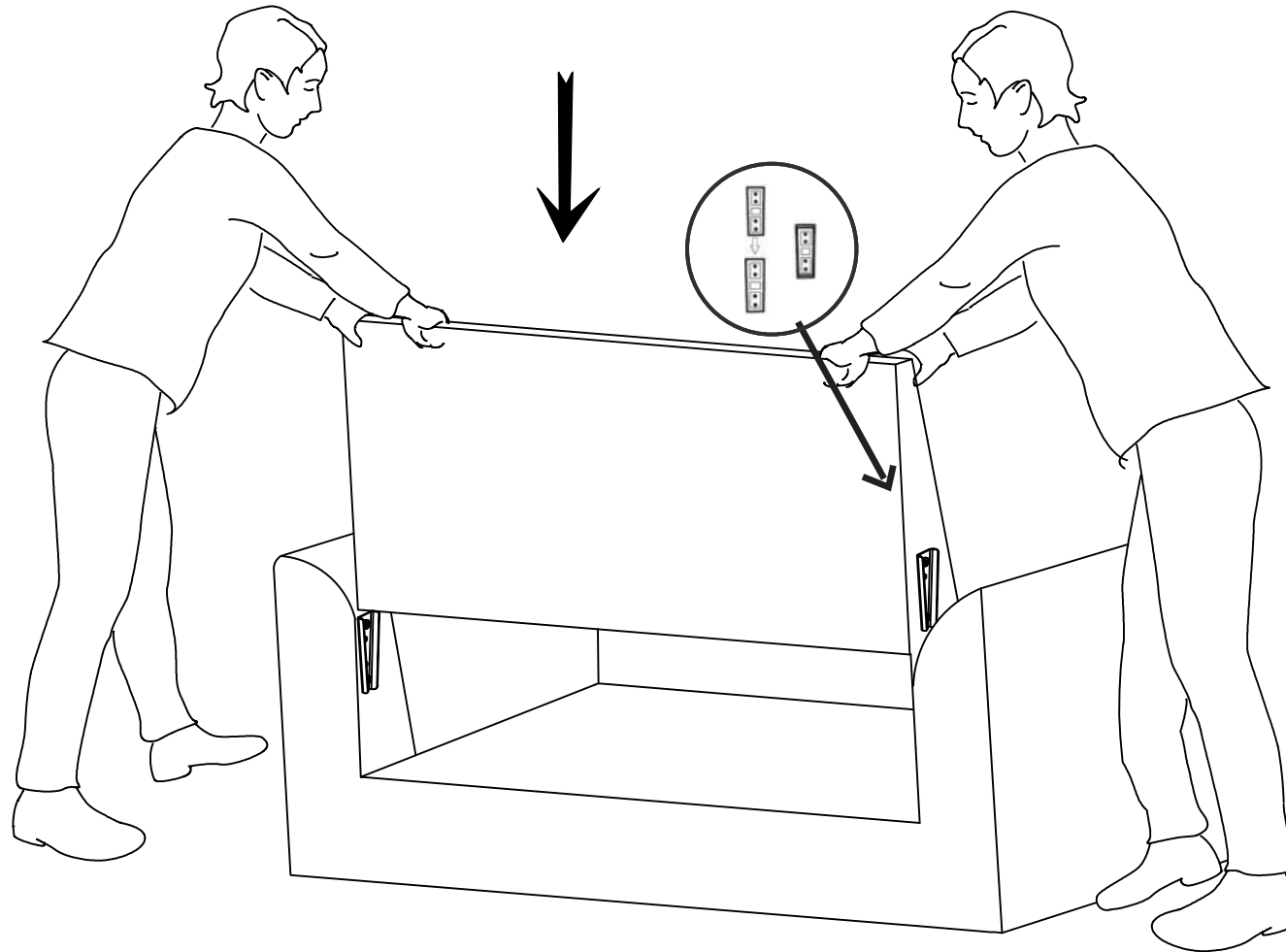
VENDOR CODE: TXNS
STOCK#:8170-20 CHAIR

SKU#10381729
SKU#:10381717

MANUFACTURED FOR ROOMS TO GO

Step 1

Slide down backrest (part A) in brackets of arms (parts B).





ASSEMBLY

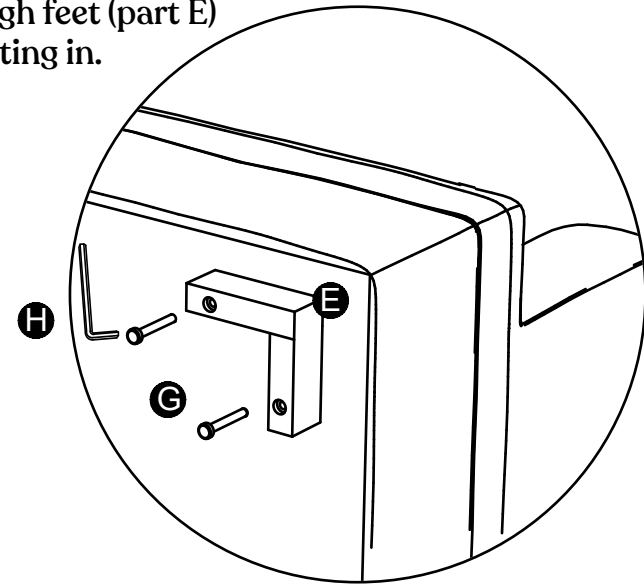
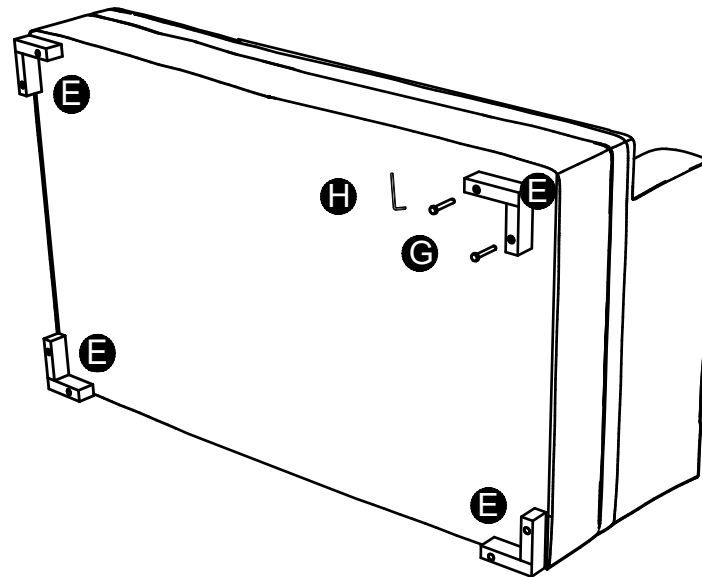
VENDOR CODE: TXNS
STOCK#:8170-20 CHAIR

SKU#10381729
SKU#:10381717

MANUFACTURED FOR ROOMS TO GO

Step 2

Use provided allen wrench to tighten bolts (part G) through feet (part E) to base (part B). Tighten center leg (part F) to base by rotating in.



ASSEMBLY



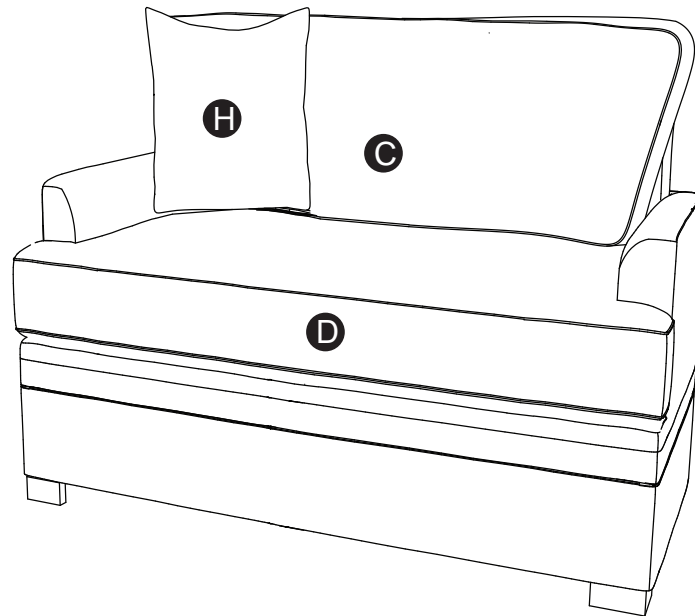
VENDOR CODE: TXNS
STOCK#:8170-20 CHAIR

SKU#10381729
SKU#:10381717

MANUFACTURED FOR ROOMS TO GO

Step 3

Add seat cushion (part D) and back cushions (part C). Cushions with L shape go on outside.
Add throw pillows (part H) to top of seat cushion (part D).



ASSEMBLY



VENDOR CODE: TXNS
STOCK#:8170-20 CHAIR

SKU#10381729
SKU#:10381717

MANUFACTURED FOR ROOMS TO GO

Step 4

Secure back flap on back (part A) to seat back (part B) by pushing down and connecting velcro to finish assembly.

