

ASSEMBLY INSTRUCTION

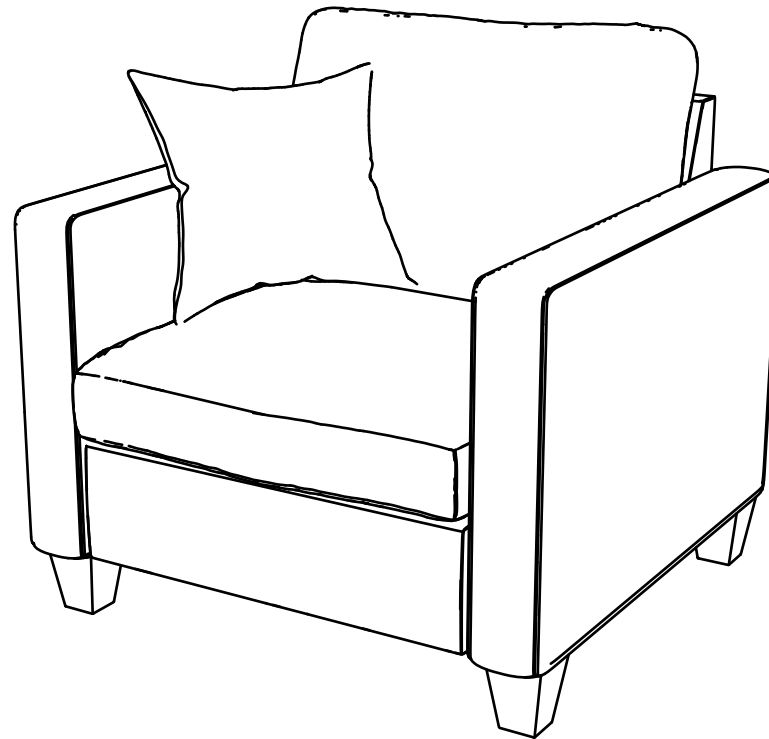


MANUFACTURED FOR ROOMS TO GO

VENDOR CODE: TXNS  
STOCK#:8180-20 CHAIR

SKU#:10381832  
SKU#:10381820

Update:12/20/2024 Version #: 2






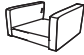





MANUFACTURED FOR ROOMS TO GO

### Part Location

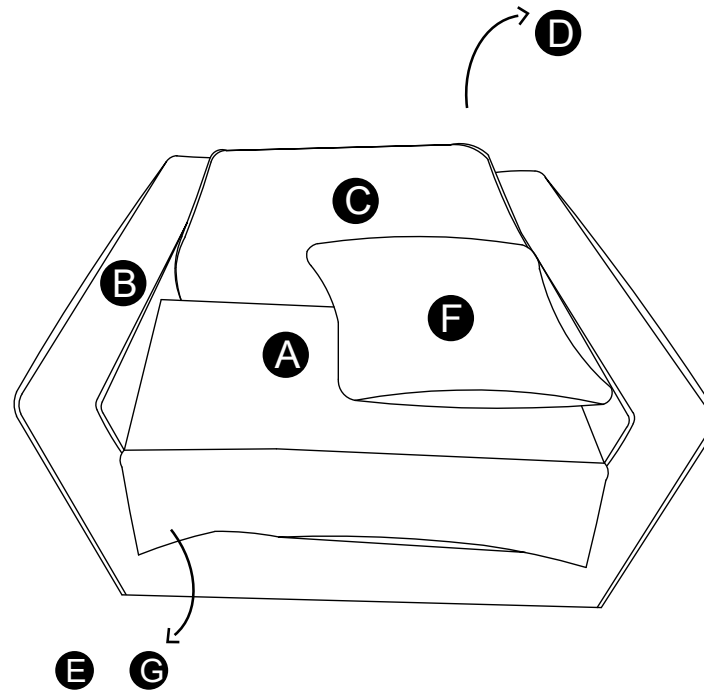
VENDOR CODE: TXNS  
STOCK#:8180-20 CHAIR

SKU#:10381832  
SKU#:10381820

Update:12/20/2024 Version #: 2

TOOLS REQUIRED: NO			
PART LIST			
NO	Description	Sketch	Quantity
A	BACK		1
B	SEAT FRAME		1
C	BACK CUSHIONS		1
D	SEAT CUSHIONS		1
E	CORNER LEGS		4
F	PILLOWS		1
G	PLASTIC WASHERS		4

Seat and back cushions (part C & D) are packed stacked with the back on top (part A) and pillows (part F).



Legs (part E & G) are packed in the zippered pocket on the bottom of the sofa.

ASSEMBLY



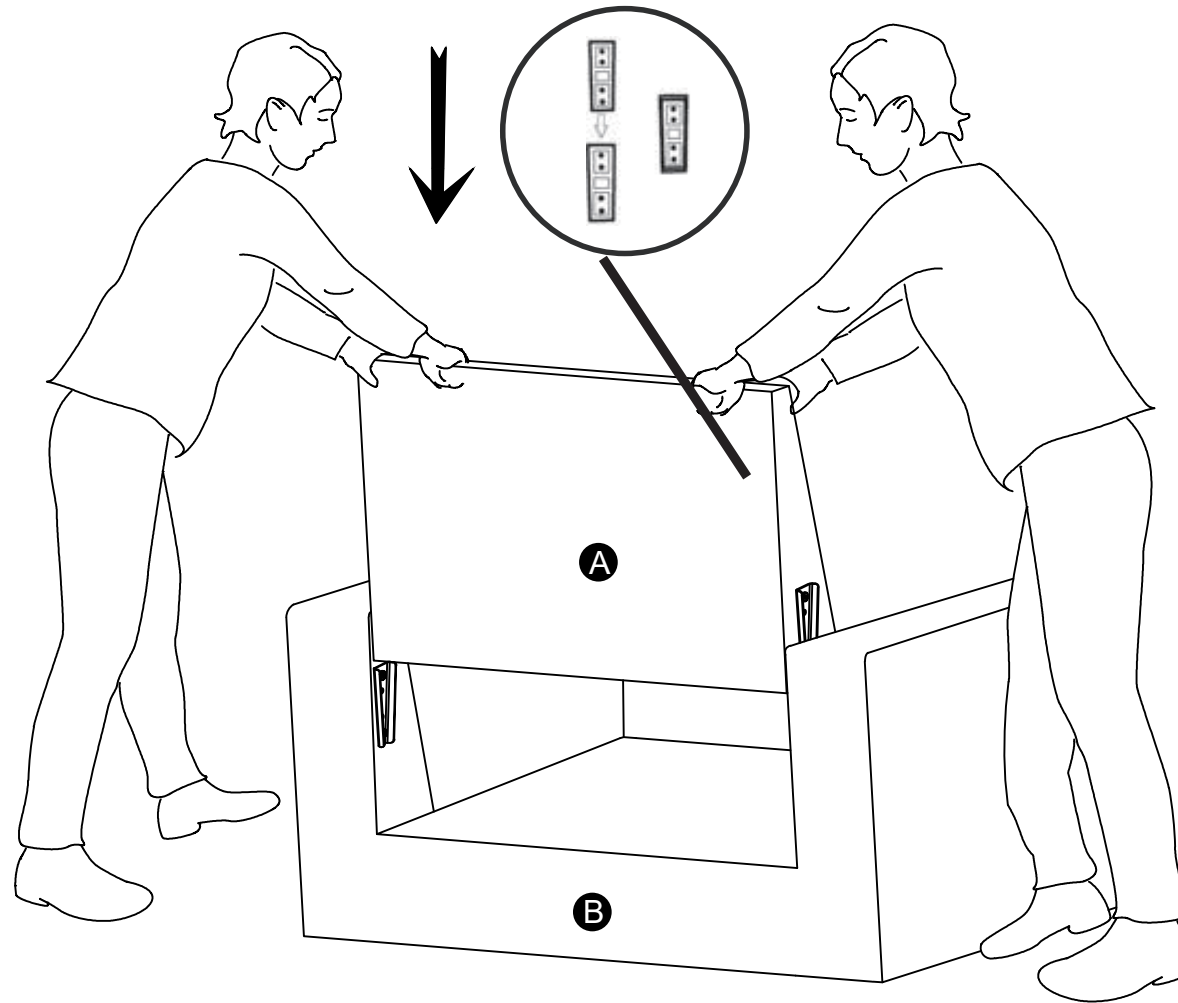
VENDOR CODE: TXNS  
STOCK#:8180-20 CHAIR

SKU#:10381832  
SKU#:10381820

MANUFACTURED FOR ROOMS TO GO

Update:12/20/2024 Version #: 2

**Step 1** Slide down backrest (part A) in brackets of arms (parts B).





MANUFACTURED FOR ROOMS TO GO

# ASSEMBLY

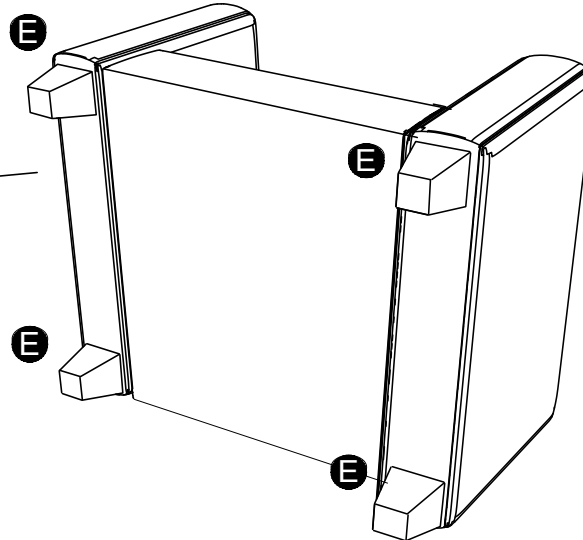
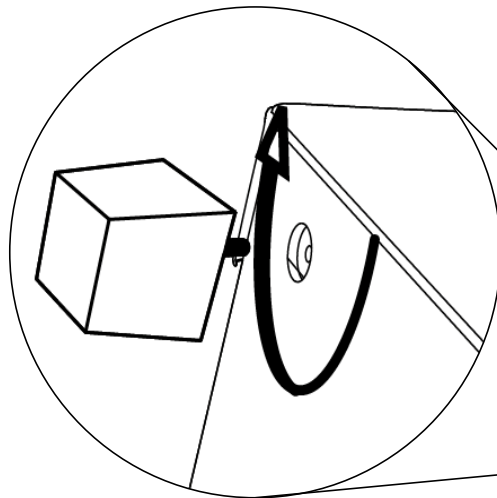
VENDOR CODE: TXNS  
STOCK#:8180-20 CHAIR

Update:12/20/2024 Version #: 2

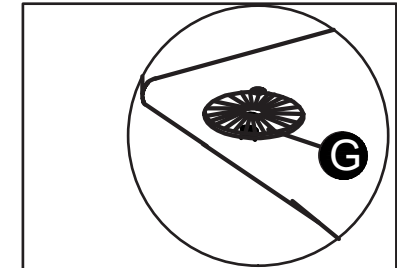
SKU#:10381832  
SKU#:10381820

## Step 2

Screw in corner legs (parts E) and centerleg (part F) clockwise into underside of seat (parts B)



## OPTIONAL



Adjust each leg by inserting a washer (G) to make it even and level with the floor.



## ASSEMBLY

VENDOR CODE: TXNS  
STOCK#:8180-20 CHAIR

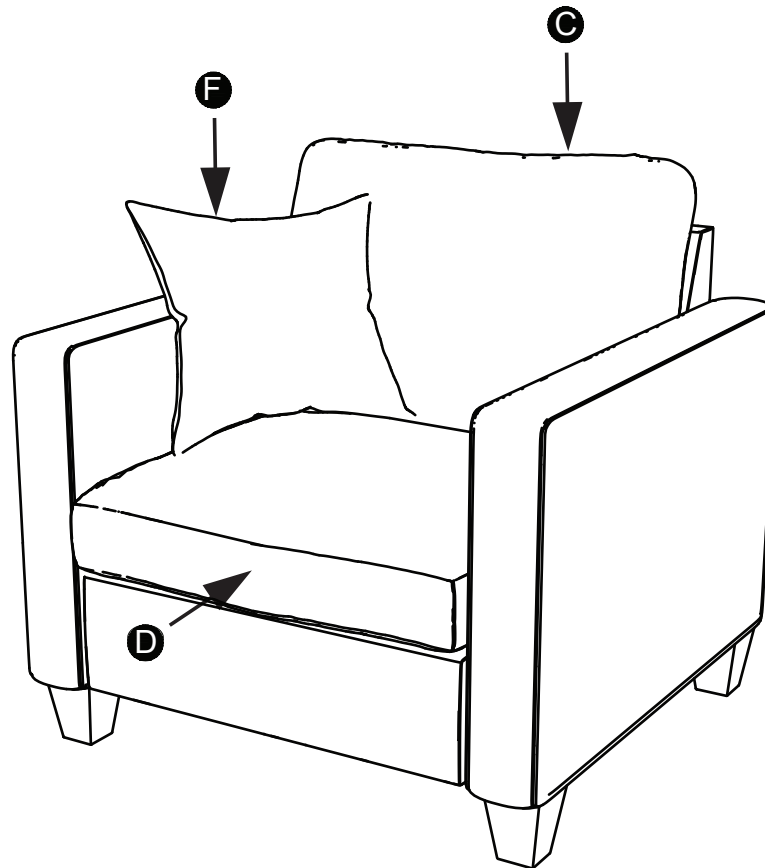
SKU#:10381832  
SKU#:10381820

MANUFACTURED FOR ROOMS TO GO

Update:12/20/2024 Version #: 2

### Step 3

Add seat cushions (parts D) and back cushions (parts E).  
Add throw pillows (parts F) to top of seat cushions (parts D).



## ASSEMBLY



MANUFACTURED FOR ROOMS TO GO

VENDOR CODE: TXNS  
STOCK#:8180-20 CHAIR

SKU#:10381832  
SKU#:10381820

Update:12/20/2024 Version #: 2

### Step 4

Secure back flap on back (part A) to seat back (part B) by pushing down and connecting velcro to finish assembly.

