






TOOLS REQUIRED:NO TOOLS REQUIRED

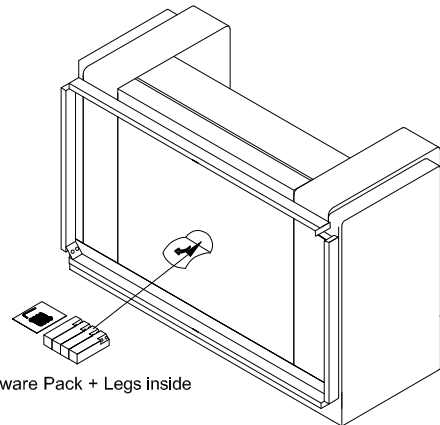
PART LIST

NO.	DESCRIPTION		Q'TY
A	CHAIR		1PC
B	LEGS		4PCS
C	BACK CUSHION		1PC

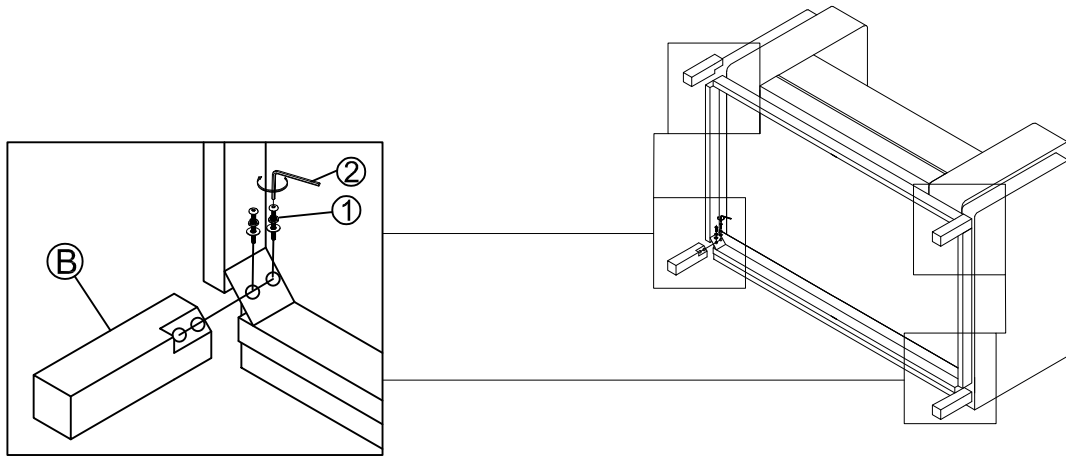
HARDWARE LIST

1	BOLT (5/16x18x45 ^m / _m)		8PCS
	SPRING WASHER (5/16x13x1.5 ^m / _m)		
	FLAT WASHER (5/16x19x2 ^m / _m)		
2	ALLEN KEY (4 ^m / _m x32 x75)		1PC

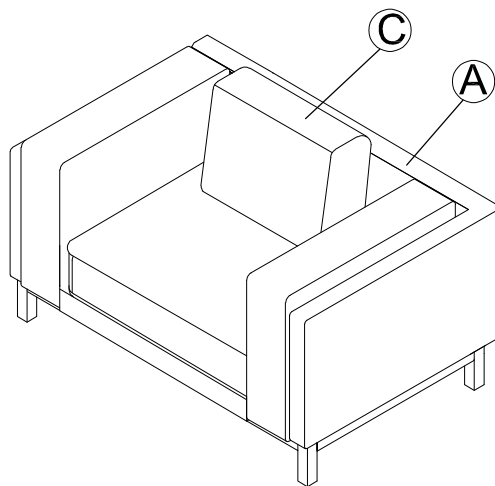
STEP 1:



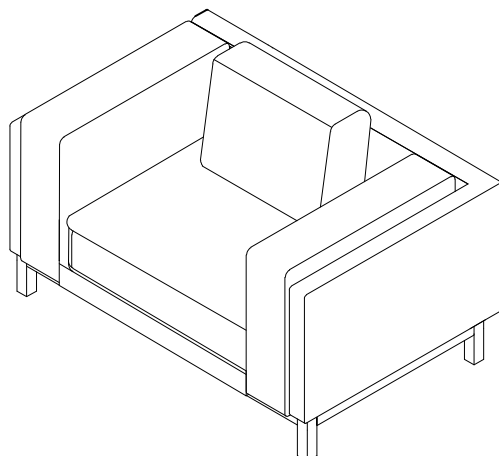
STEP 2:



STEP 3:



Completed



Caring for Your Furniture

To ensure your chair maintains its beauty, comfort, and durability for years to come, please follow these Care & Maintenance Guidelines.

The Enemies of Furniture

To extend the life of your chair, avoid exposure to these common threats:

- **Sunlight & Heat:** Direct sunlight or heat sources may cause fading, discoloration, or fabric deterioration.
- **Moisture:** Wipe up spills immediately and avoid placing the chair in damp or humid areas. Excess moisture may damage both the fabric and the wooden legs.
- **Harsh Chemicals:** Do not use bleach, ammonia, or solvent-based cleaners. Use only mild soap and water when necessary.
- **Sharp Objects:** Keep keys, tools, and other sharp items away from the upholstery to prevent snags or tears.
- **Uneven Surfaces:** Place the chair on an even floor to prevent stress on the wooden frame and legs.

Tips for Better Maintenance

Simple care routines will keep your chair looking and feeling its best:

- **Weekly Dusting:** Vacuum the fabric using a soft brush attachment to remove dust and debris.
- **Spot Cleaning:** Blot (do not rub) minor stains with a mild soap solution and a clean damp cloth. Allow to air dry fully.
- **Cushion Care:** Fluff and rotate the cushion regularly to maintain its shape and comfort.
- **Wood Care:** Wipe wooden legs with a soft, dry cloth. Avoid standing water or wet mopping around the base.
- **Hardware Check:** Periodically inspect and tighten any bolts or connectors to maintain stability.

With proper care, your chair will remain stylish, comfortable, and supportive for years to come.

☞ For indoor residential use only.



140

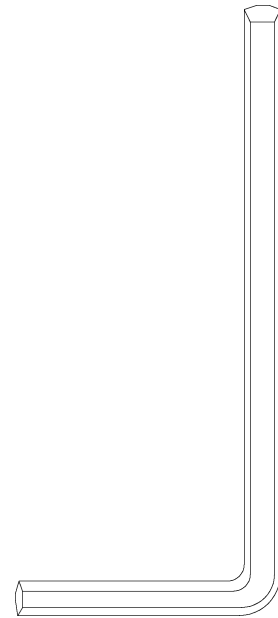
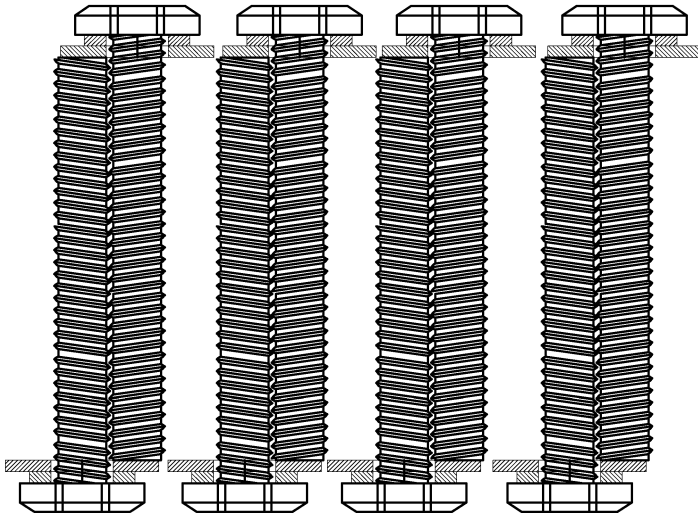
Assembly Instructions

25002C-1 CHAIR SKU#10395045 25002L-1 LOVESEAT SKU#10295043 25002S-1 SOFA SKU#10195041
25002C-2 CHAIR SKU#10395021 25002L-2 LOVESEAT SKU#10295029 25002S-2 SOFA SKU#10195027
25002C-3 CHAIR SKU#10395019 25002L-3 LOVESEAT SKU#10295017 25002S-3 SOFA SKU#10195015

This product is manufactured by GINA for ROOMS TO GO ►

HARDWARE LIST

1	BOLT (5/16x18x45 ^m / _m)		8PCS
	SPRING WASHER (5/16x13x1.5 ^m / _m)		
	FLAT WASHER (5/16x19x2 ^m / _m)		
2	ALLEN KEY (4 ^m / _m x32 x75)		1PC



1 BOLT (5/16x18x45^m/_m)=8pcs

2 Allen key (4^m/_mx32x75)=1pc

Nền trắng (White background)

160