

ASSEMBLY INSTRUCTIONS

Description: Markus Accent Ottoman




Important safety instructions:

- Please carefully read all instructions before assembling.
- For your safety and ease, assembly by two or more adults is recommended.
- Keep instructions for future use.







Pre-assembly:

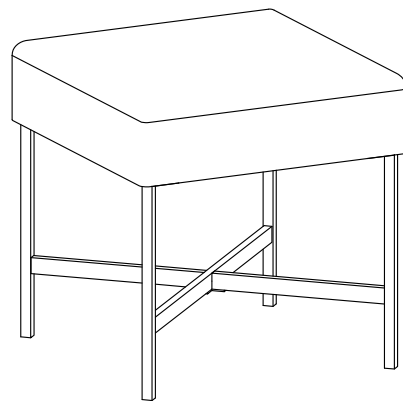
- Do not discard any contents until after assembly is complete to avoid accidentally discarding small parts or hardware.
- Remove all parts and hardware from box along with any plastic protective packaging.

Parts List

Item	Description	QTY
P1	Seat Cushion 	1
P2	Metal Frame-1 	1
P3	Metal Frame-2 	1




Hardware List

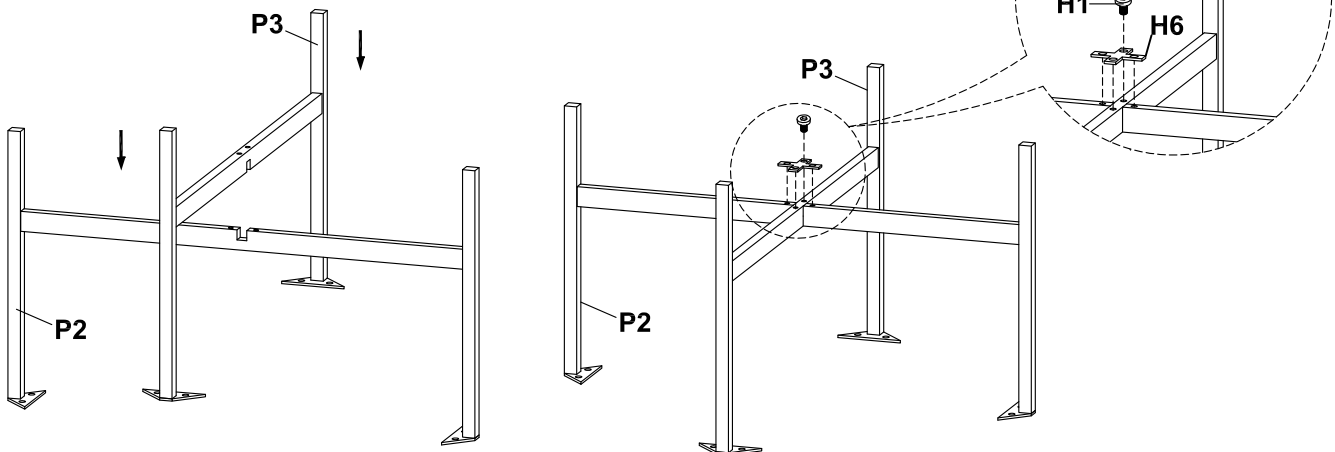
Item	Description	QTY
H1	Bolts $\varnothing 1/4" \times 1/2"$ 	4
H2	Bolts $\varnothing 1/4" \times 1"$ 	8
H3	Lock Washers $\varnothing 1/4"$ 	8
H4	Flat Washers $\varnothing 1/4"$ 	8
H5	Allen Wrench $1/4"$ 	1
H6	Mending Plate 	1



Assembly Procedures:

Step 1. Assemble the ottoman on a flat, soft surface such as a carpet or cloth to prevent scratching the finish. Loosely attach the metal frame-2 (P3) to the metal frame-1 (P2) using bolts (H1) and mending plate (H6) as shown below. Do not tighten at this time.

- (H1)x4 Bolts 
- (H5)x1 Allen Wrench 
- (H6)x1 Mending Plate 



Step 2.


1) Attach the assembled metal frame (P2, P3) to the bottom of seat cushion (P1) using bolts (H2), lock washers (H3) and flat washers (H4) as shown below.

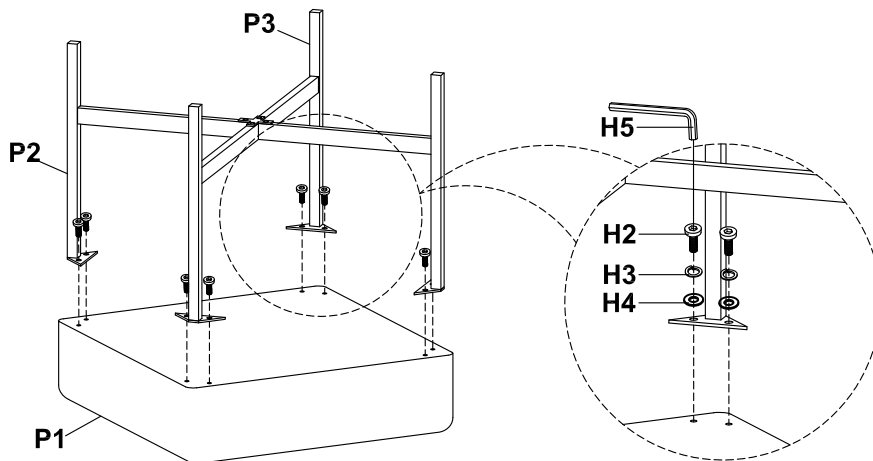
2) Make sure the assembled ottoman is level and securely tighten all the bolts with Allen wrench (H5).

3) Turn the assembled ottoman to an upright position. Assembly is complete.

(H2)x8 Bolts 

(H3)x8 Lock Washers 

(H4)x8 Flat Washers 



Caution: Failure to follow these instructions may cause the bolts to misalign during assembly.

ADDITIONAL NOTE ABOUT SAFETY: BOLTS MAY LOOSEN DURING NORMAL EVERYDAY USE. THEY SHOULD BE PERIODICALLY INSPECTED AND RE-TIGHTENED TO PREVENT DAMAGE OR INJURY. ALWAYS CHECK TO BE SURE THAT ALL HARDWARE IS KEPT TIGHTENED.

Thank you for your purchase