



Assembly Instructions

417-30 OTTOMAN

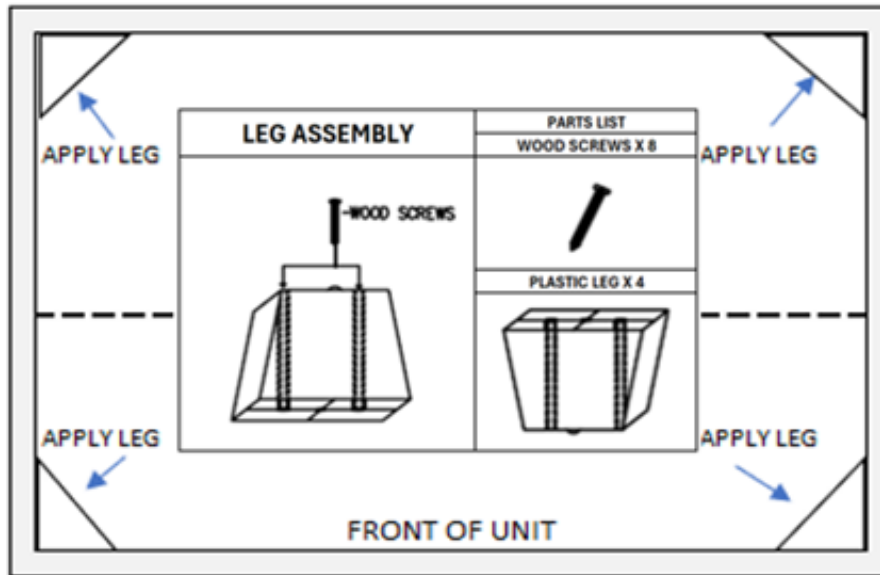
SKU # 10424175

SKU # 10424187

Manufactured by ALBI for Rooms To Go

SKU # 10424199

Hardware	Size	Thread	Qty
HEX HEAD WOOD SCREWS	1/8"W x 2"L	13	8
PLASTIC LEGS	5"W x 5"W x 4-1/2"H		4



The legs should be evenly aligned on each bottom corner of the unit, approximately 1/4" - 3/8" from the edges. Place 2 screws, one in each of the screw holes. Secure the legs to the frame using a hex-head screwdriver bit and a power drill. **Do not over tighten screws.**

Assembly Tools needed, but not included - Hex-Head screwdriver bit, and power drill.

Hardware Pack Location Hardware can be located in the zippered compartment on the bottom of the unit.

Unit Type OTTOMAN **SKU(s)#** 10424175,10424187,10424199

Version # 2

Date: 7/17/2024

Page 1