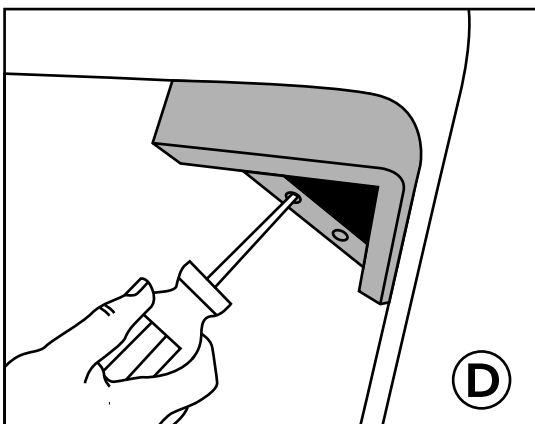
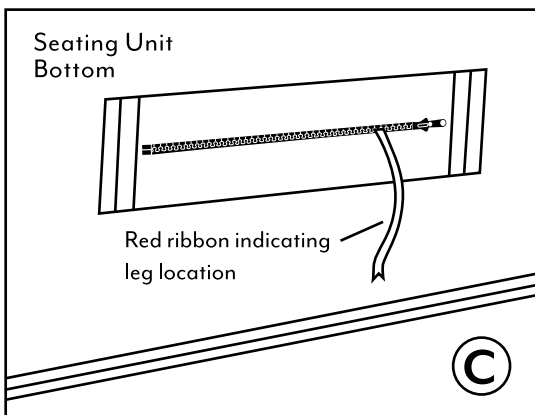
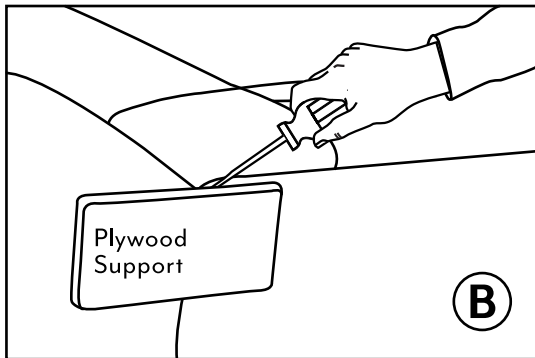
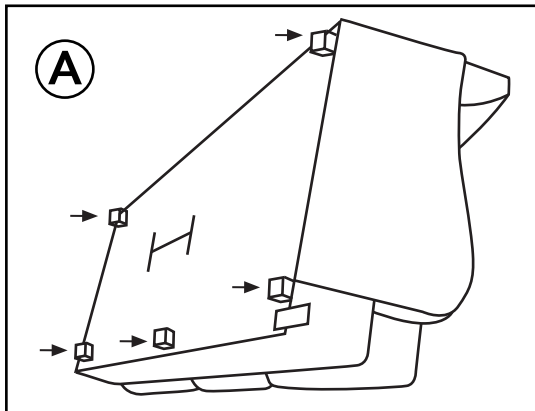


# STATIONARY LEG INSTALLATION



1. Remove cardboard and plastic shipping material from seating unit.
2. Tilt unit forward from rear until it rests on the ottoman/footrest. (see diagram A)
3. If unit has plywood support, remove with a flat head screwdriver or prybar. Place flat head screwdriver or prybar between plywood support and bottom arm rail and pry up and down to remove. (see diagram B)  
*Note: Prybar/screwdriver not included.*
4. Locate zipper pouch on underside of sofa. Unzip and remove legs and screws from pouch. Sofa (#10139322) will have 5 legs and loveseat (#10239324), Chair (#10339326), and Ottoman (#10439328) will have 4 legs.
5. Place one leg at corner. Using a phillips head screwdriver, line up leg with holes and secure leg using 2 screws. Repeat for each leg. (see diagram D)  
*Note: Phillips head screwdriver not included.*
6. After all legs are secure, carefully turn sofa upright.

SKU 10139322  
SKU 10239324  
SKU 10339326  
SKU 10439328

Vendor Code: FRNK  
CI-05 REV 1/8/2024