

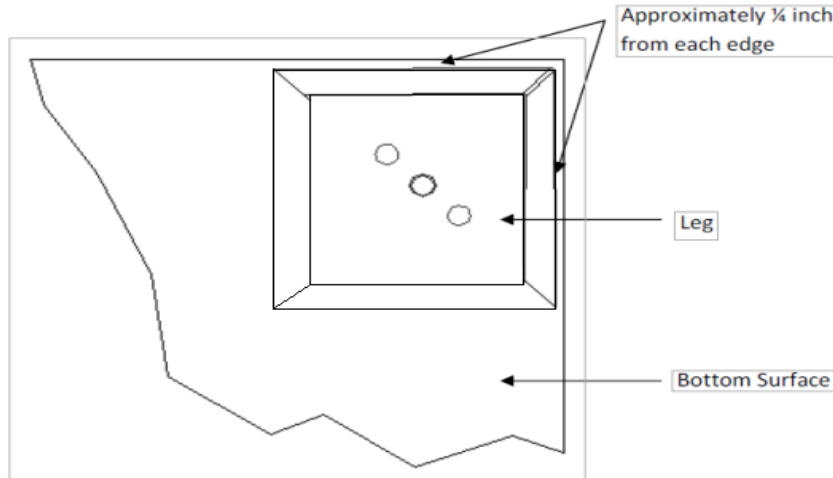


# Assembly Instructions BHOD 5455 Group

SKU#'s 10554586 10954584  
10154514 10454596  
10454584 10354594  
10154588 10254592  
10354582 10954596  
10254580 10154590

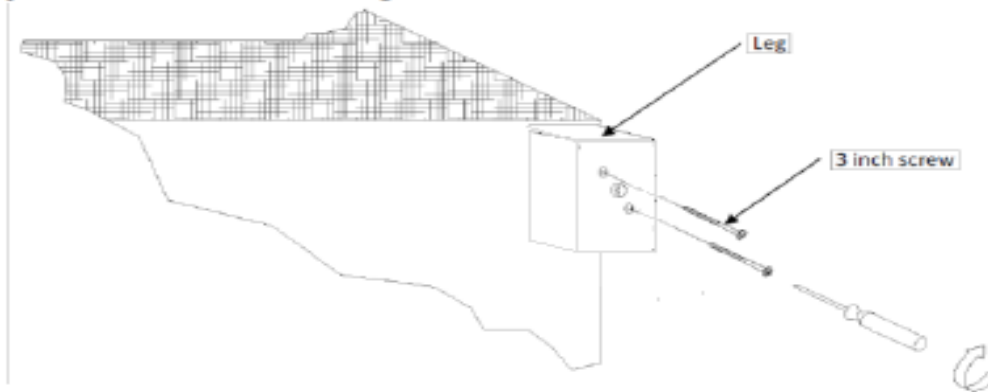
## LEG ASSEMBLY

**Step 1** - Working on a clean surface, turn the unit on its back with the base facing your work area. Position the leg as shown, approximately 1/4" from outside edges of bottom surface.



**Parts List:**  
(A) 4" x 4" Leg x 4  
(B) 2" Phillips head screw x 8  
(pictured below)  
**Tools Required:**  
Phillips Head Screwdriver

**Step 2** - Fasten the leg by inserting (2) – 3 inch screws per leg in the holes provided and screw until the leg is secure.



Repeat steps 1 and 2 for the remaining legs. Turn the unit upright and place in the desired location.