

Vendor: SFAM

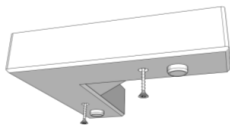
LEGS ASSEMBLY INSTRUCTIONS

INCLUDED HARDWARE

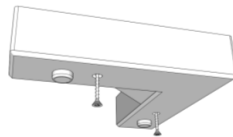
4 WOOD LEGS
8X PHILLIPS FLAT
HEAD 8x3 SCREWS
Screwdriver **NOT**
Included

RTG SKU	RTG SKU
10161874	12361870
10261876	12461872
10361878	12561874
10461870	12661876
12161876	12761878
12261878	12861870

1



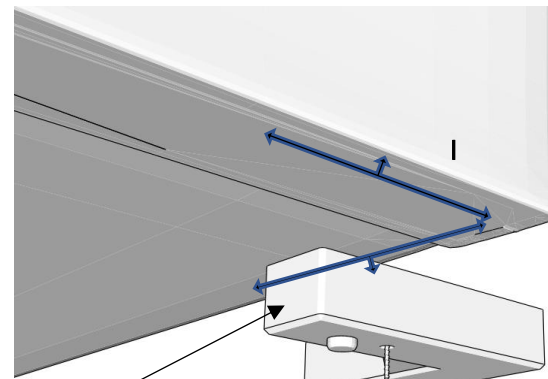
BACK WOOD LEG



FRONT WOOD LEG

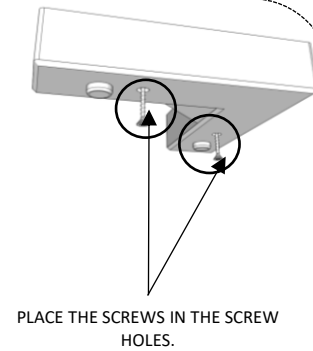


2



WOOD LEG

SCREW



PLACE THE SCREWS IN THE SCREW HOLES.

The wood leg's package does not include drill.

3



BACK WOOD LEG

FRONT WOOD LEG

A

Place the leg 1/4" of space from the edge of the furniture.

B

Use the 2 screws and with a philips screwdriver tighten these legs according to the Picture 2.