

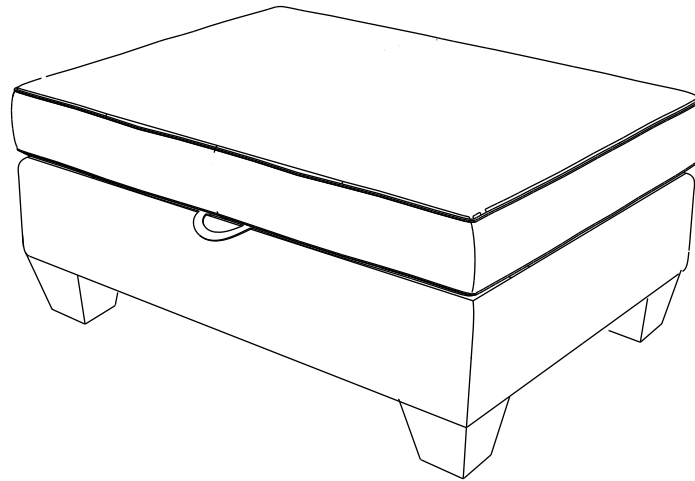
ASSEMBLY INSTRUCTION



MANUFACTURED FOR ROOMS TO GO

VENDOR CODE: TXNS
STOCK#:8190-35 OTTOMAN

SKU#:10481909
SKU#:10481911
SKU#:10481923



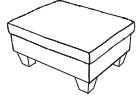
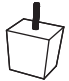



MANUFACTURED FOR ROOMS TO GO

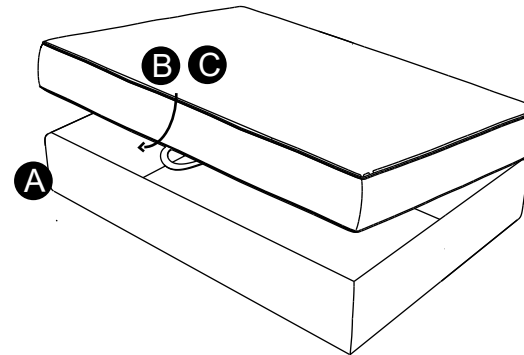
Part Location

VENDOR CODE: TXNS
STOCK#:8190-35 OTTOMAN

SKU#:10481911
SKU#:10481909
SKU#:10481923

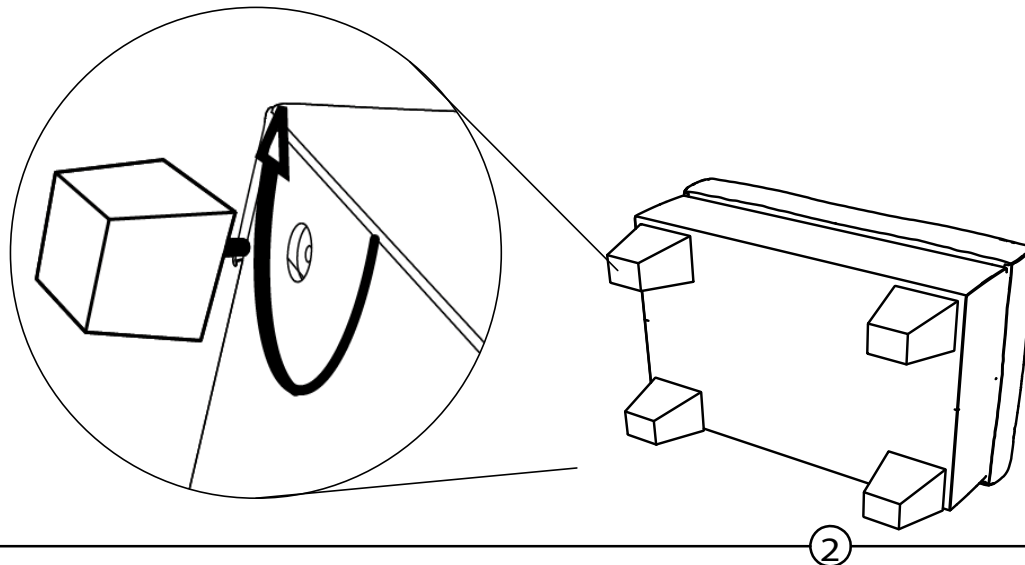
TOOLS REQUIRED: NO			
PART LIST			
NO	Description	Sketch	Quantity
A	OTTOMAN		1
B	FEET		4
C	PLASTIC WASHERS		4

Feet (part B) and bolts (part C) are stored in storage cavity of ottoman (part A)

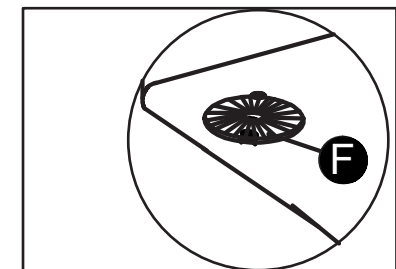


Step 1

Screw in legs (part B) into ottoman base (part A) by rotating clockwise.



OPTIONAL



Adjust each leg by inserting a washer (F) to make it even and level with the floor.