

T Ö V

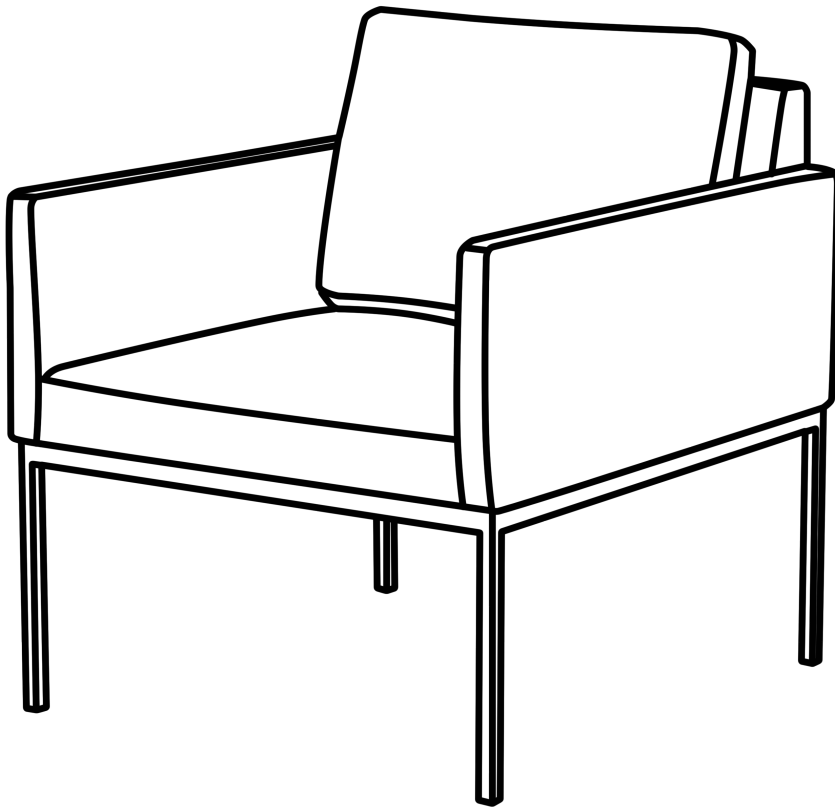
FURNITURE

Canton Chair  
TOV-A183/TOV-A191





# CANTON

---









## ASSEMBLY INSTRUCTIONS



## PARTS LIST

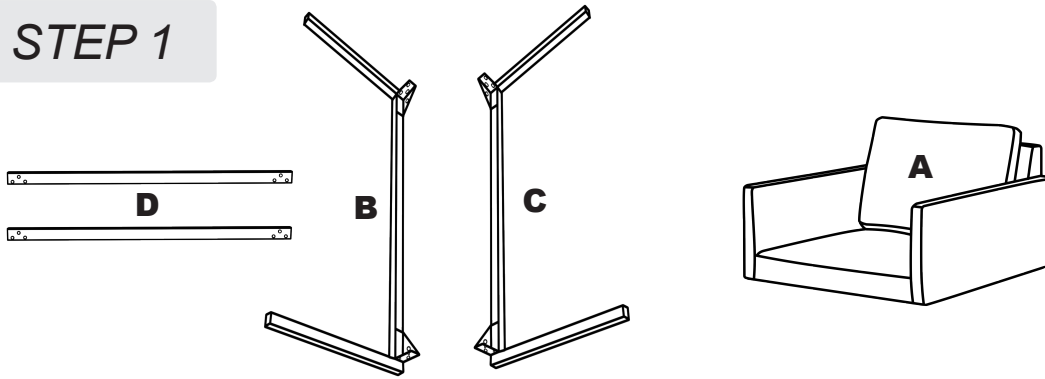
LABEL	PICTURE	DESCRIPTION	QTY
A		Chair	1
B		Front Legs	1
C		Back Legs	1
D		Side Frame	2

## HARDWARE

LABEL	PICTURE	DESCRIPTION	QTY
E		Metal Gasket M6	12
F		Spring Washer M6	12
G		Metal Gasket M8	4
H		Spring Washer M8	4
I		Screw M6*20	12
J		Screw M8*35	4
K		Wrench M6	1
L		Wrench M8	1

# ASSEMBLY STEPS

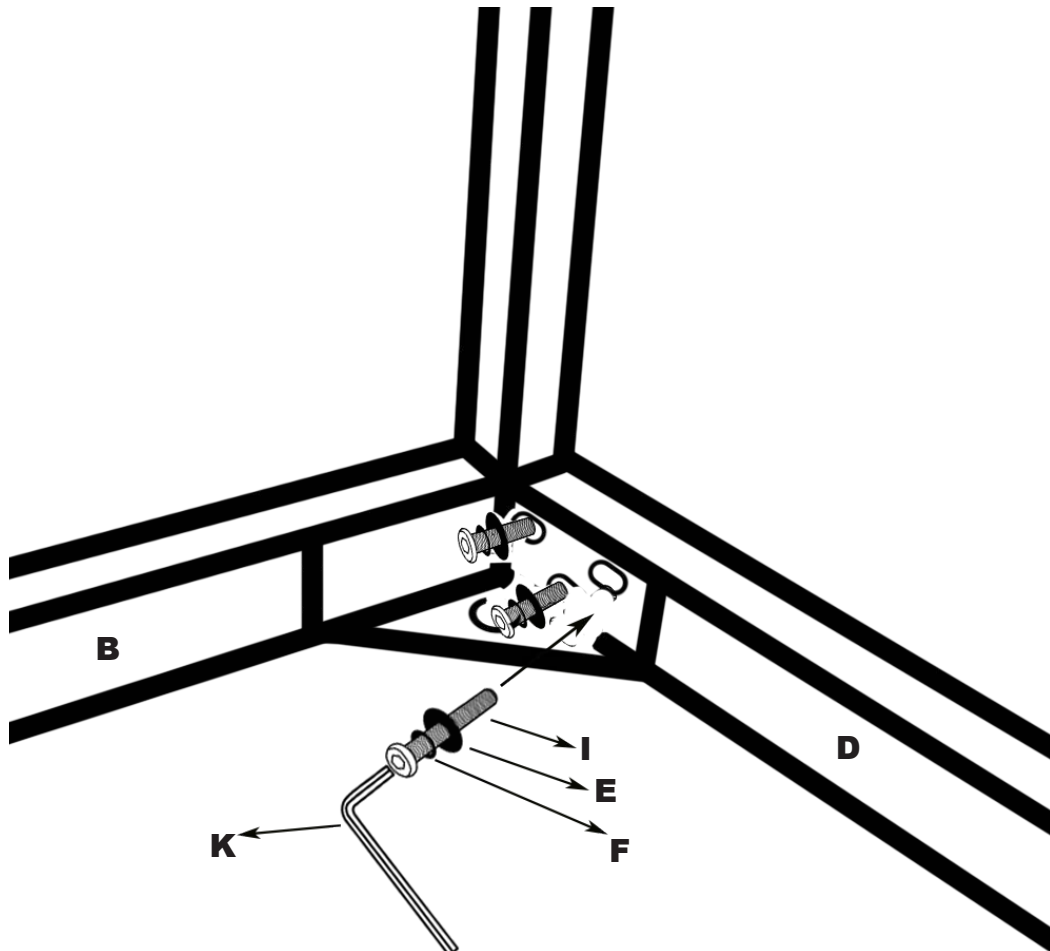
## STEP 1



- › Position the product as shown.
- › Open carton to take 1pcs chair body A, 1pcs front leg B, 1pcs back leg C, 2pcs side frame D

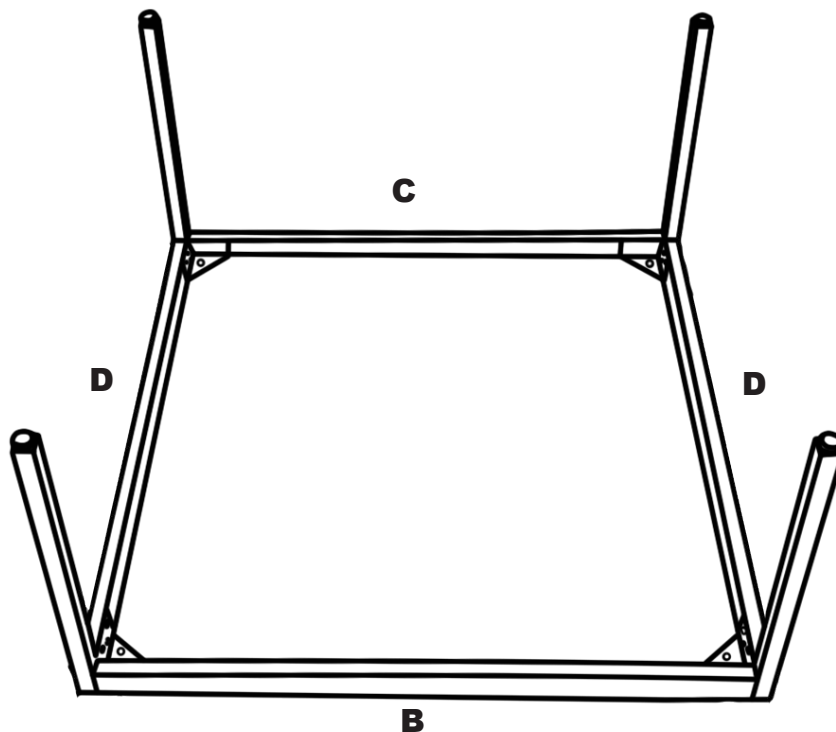
## STEP 2

- › Ready to assemble legs B&C and side frame D



# ASSEMBLY STEPS

## STEP 3



› Legs and Side Frame assemble Complete

## STEP 4

