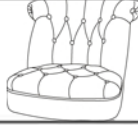

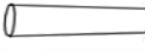
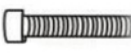





ASSEMBLY INSTRUCTION

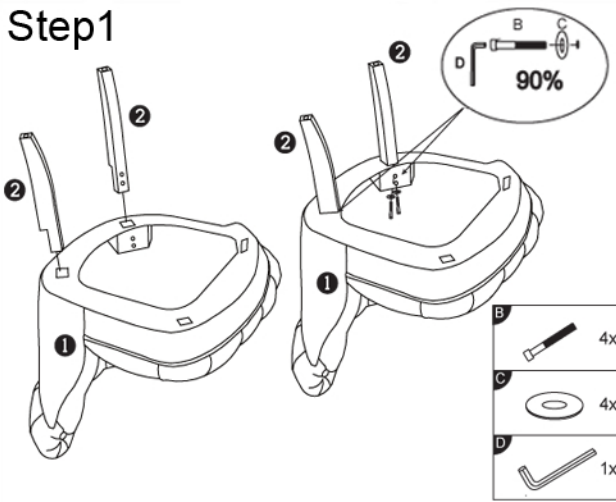
Hardware List

①		Chair	1PC
②		Back legs	2PCS
③		Front legs	2PCS
A		Bolts	4PCS
B		Bolts	4PCS
C		Washer	8PCS
D		Allen Key	1PC

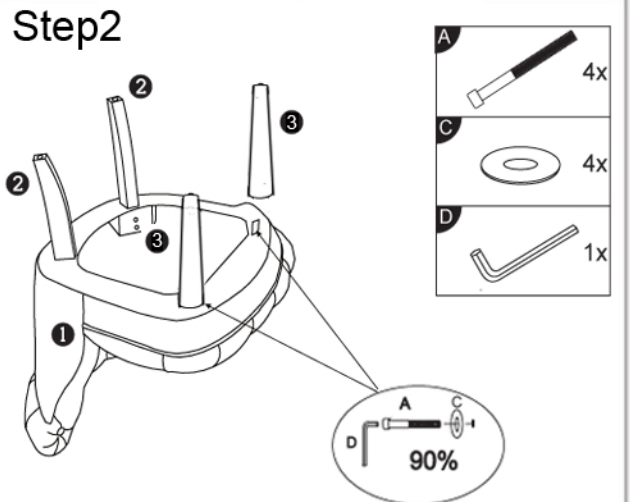
PRE-ASSEMBLY PREPARATION:

1. Please put on clean space to assemble to avoid damages on chairs.
2. About hardwares: tighten all screws firstly 90%; adjust the legs to level; tighten the screws the remaining 10%.
3. weight capacity: 300 pounds.

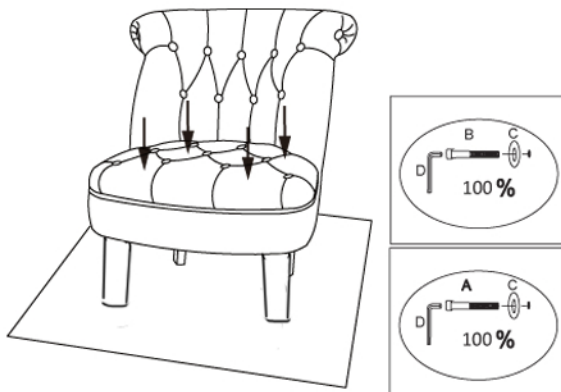
Step1



Step2



Step3



Step4

