

# ASSEMBLY INSTRUCTION

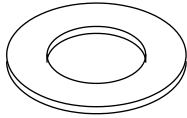
## RED TONE STRIPE FABRIC BLACK LEGS LOUNGER CHAIR

**A** Lock Washer



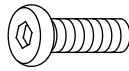
11 pcs

**B** Flat Washer



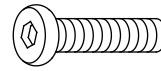
11pcs

**C** Bolt  
5/16"x2-1/2"



7 pcs

**D** Bolt  
5/16"x3-1/2"



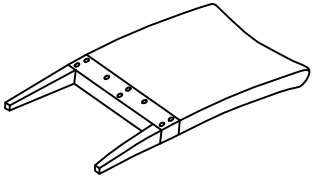
4pcs

**E** Allen Wrench



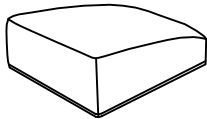
1pc

**F** Chair Back



1 pc

**G** Seat

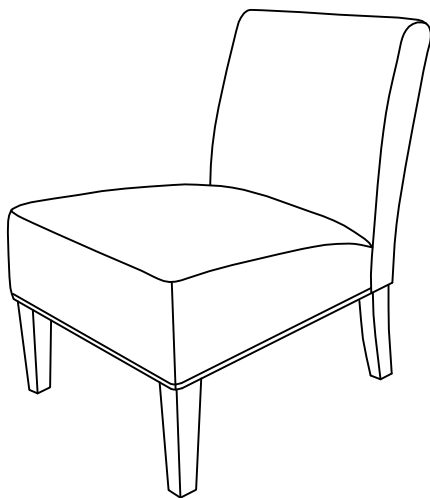


1pc

**H** Front Leg



2pcs

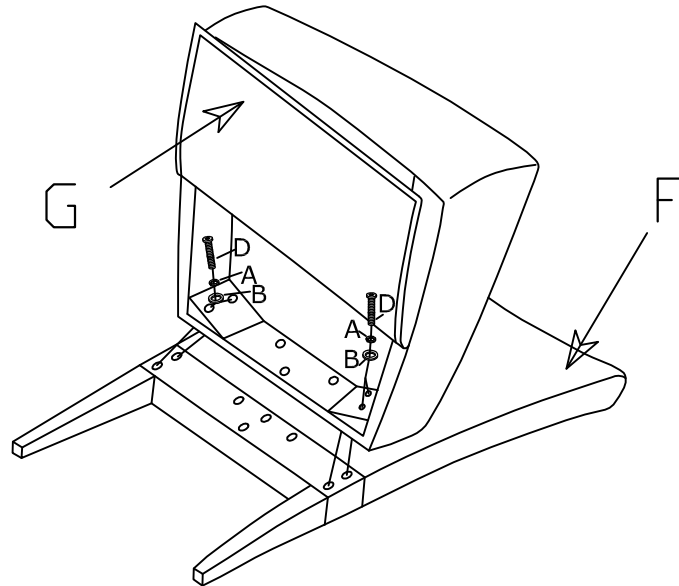


This page lists all the contents included in the box. Please take the time to identify the hardware as well as the individual components to this product. As you unpack and prepare for assembly, place the contents on a carpeted or padded area to protect them from damage.

# RED TONE STRIPE FABRIC BLACK LEGS LOUNGER CHAIR

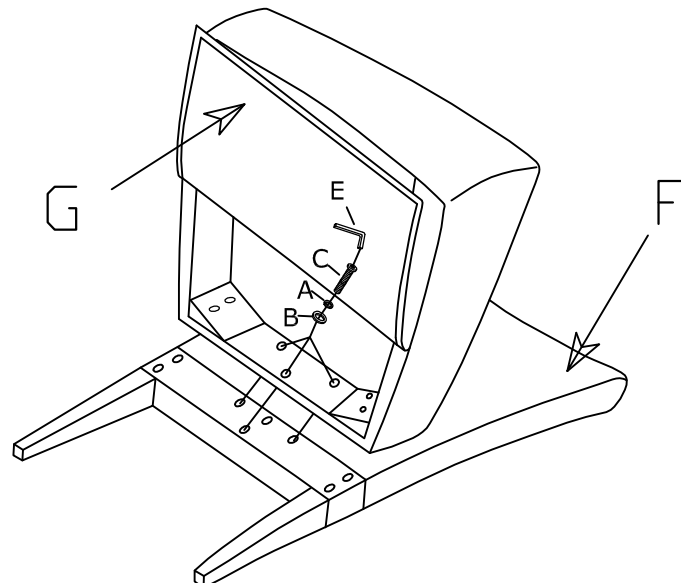
1

Put chair back (F) on a smooth flat surface, attached the seat (G) the chair back (F) use the bolt (D), lock washer (A), flat washer (B) in both of hole of seat (G) and chair back (F), turn the allen wrench (E) in bolt (D). But not too tight.



2

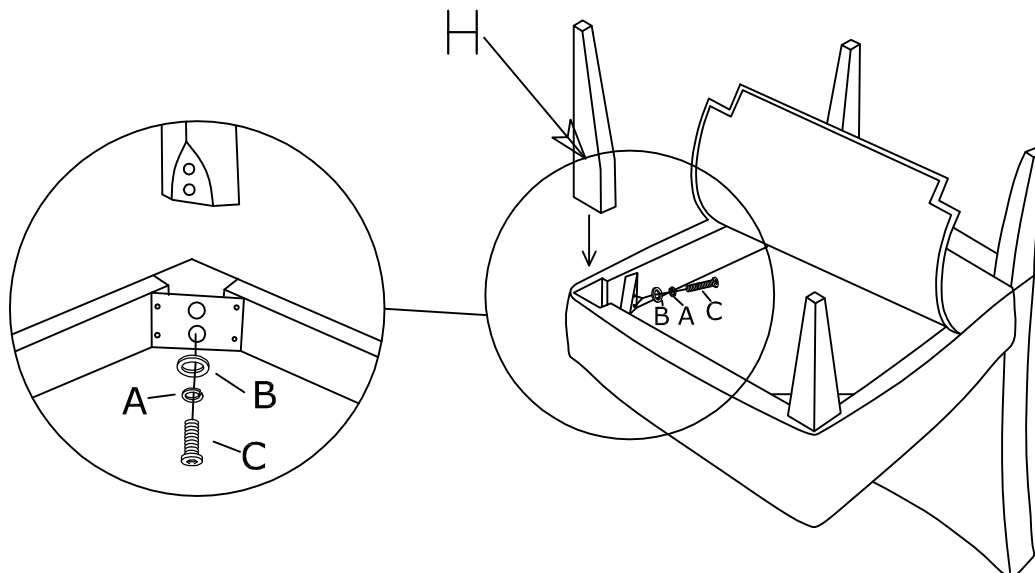
Use the bolt (C), lock washer (A), flat washer (B) in both of hole of seat (G) and chair back (F), turn the allen wrench (E) to tighten the bolt (C).



# RED TONE STRIPE FABRIC BLACK LEGS LOUNGER CHAIR

**3**

Put the seat (G) on a smooth flat surface, attached one front leg (H) to the seat (G) use bolt (C), lock washer (A) and flat washer (B) on both of hole of seat, Turn the allen wrench (E) in bolt (C). But not too tight.



## Cleaning & Care

Treat surface with care. Surface is resistant to scratches but is not scratch resistant. Clean surfaces with a dry or damp soft cloth. Do not use abrasive cleaners. Hardware may loosen over time. Periodically check that all connections are tight.