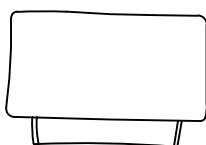


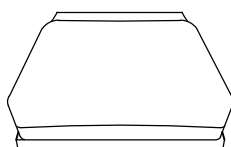
ASSEMBLY INSTRUCTION

A BACK FRAME



1pc

B SEAT FRAME



1pc

C LEFT PANEL



1pc

D RIGHT PANEL



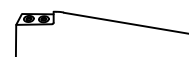
1pc

E BACK CUSHION



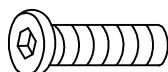
1pc

F WOODEN LEG



4pcs

G BOLT
5/16 "x3-1/8"



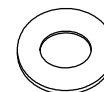
8pcs

H ALLEN KEY
5/16 "



1pc

I FLAT WASHER
5/16 "

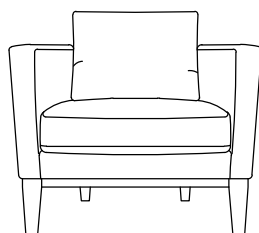


8pcs

J SCREW
5/32 "x2-3/4"

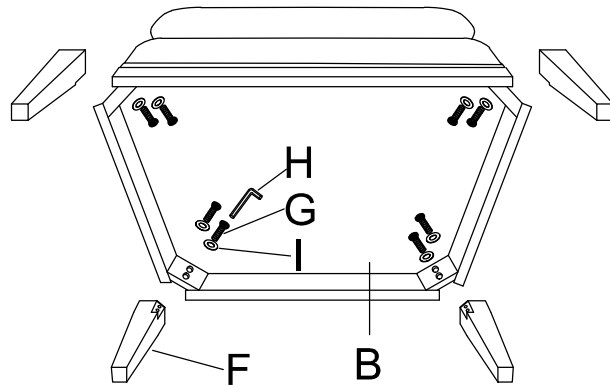


6pcs

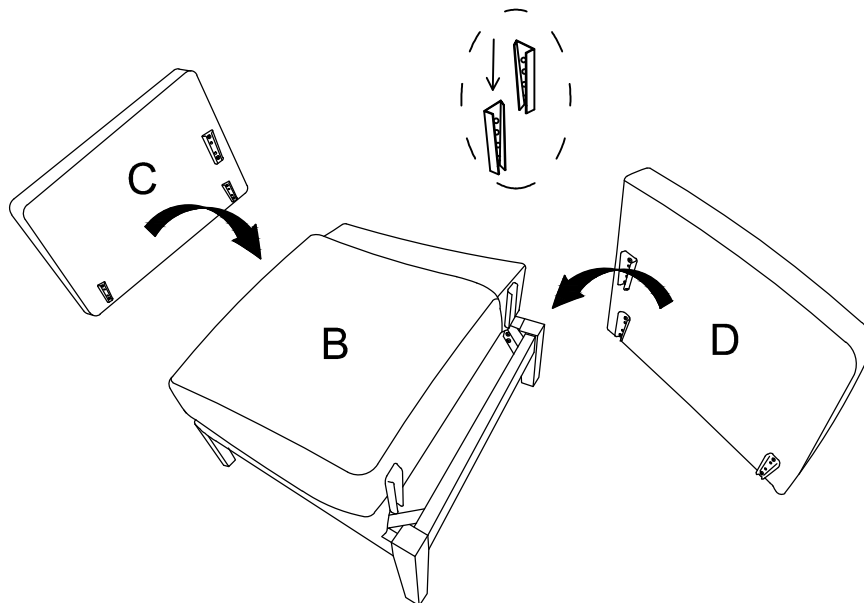


This page lists all the contents included in the box. As you unpack and prepare for assembly, place the contents on a carpeted or padded area to protect them from damage.

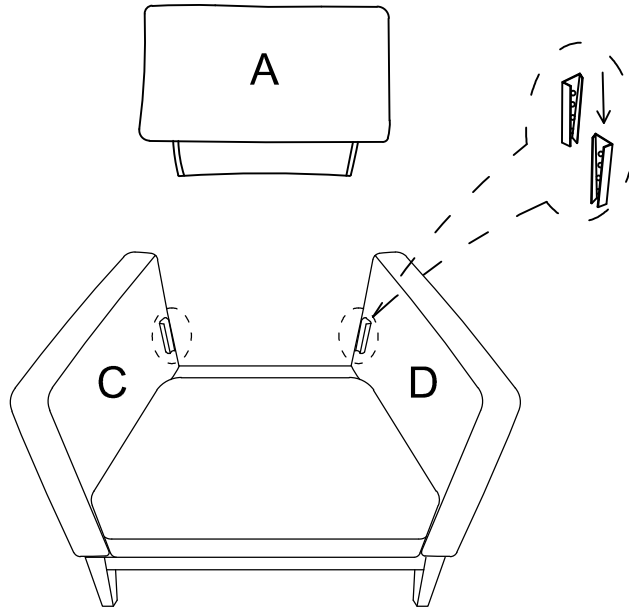
-
- 1** Please flip over the Seat frame(B). Align the legs(F) to the pre-drilled holes, insert the bolts(G), pad with a flat washer(I) then tighten with Allen key(H).



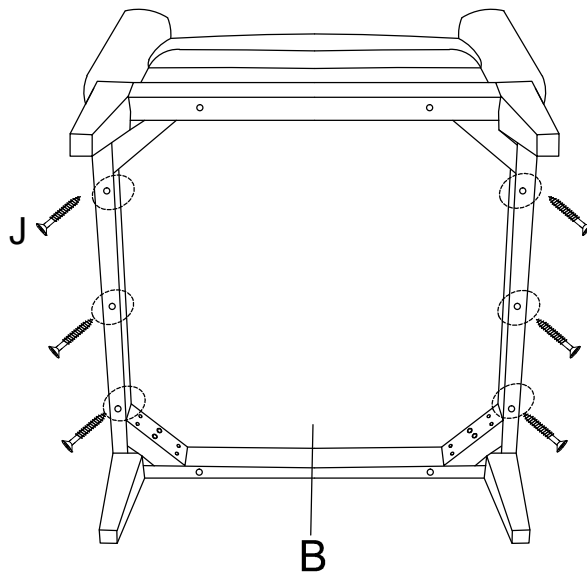
-
- 2** Hook on the Left Panel(C) & Right Panel(D) to the Seat Frame(B) properly.



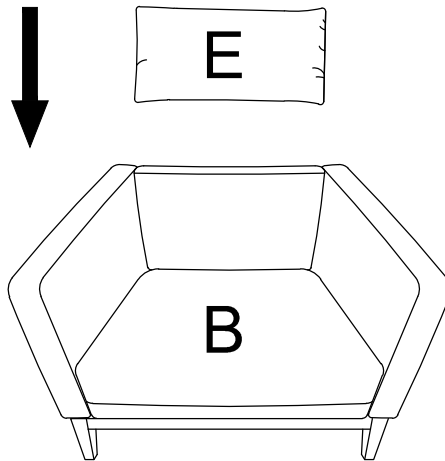
3 Hook on the Back Frame(A) to the Left Panel(C) & Right Panel(D) properly.



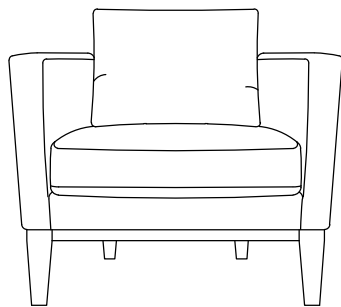
4 Hook on the Frame and armrest structure, seat frame(B) with 6 screws(J) fixed.



5 Put the Back Cushion(E) on Seat Frame(B).



6 The assembly is completed.



Cleaning & Care

Treat surface with care, surface is resistant to scratches but is not scratch resistant. Clean surfaces with a dry or damp soft cloth. Do not use abrasive cleaners. Hardware may loosen over time. Periodically check that all connections are tight.