



Manufactured for
Rooms To Go



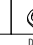

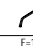
ASSEMBLY INSTRUCTION

ALEK: 411-10 CHAIR

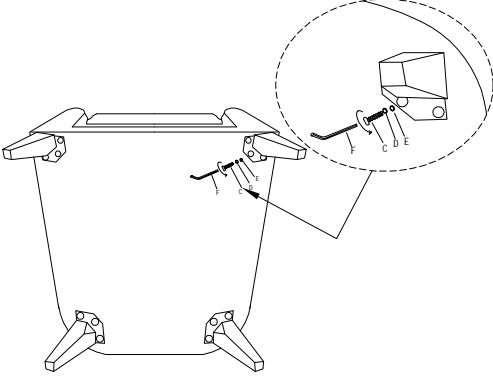
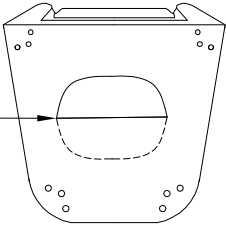
SKU# 10555386

Thank you for purchasing this quality product. Be sure to check all packing material carefully for small parts, which may have come loose inside the carton during shipment. Identify and count all parts and compare with the hardware list below.

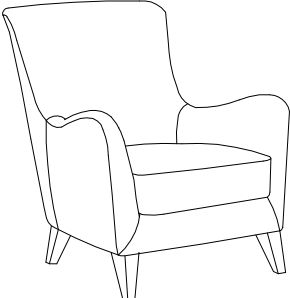
PART LIST							
NO	Description	Item	QTY	NO	Description	Item	QTY
A	Chair seat		1 PC	D	Spring Washer		12 PCS
B	Legs		4 PCS	E	Flat Washer		12 PCS
C	Bolt Dimension M8*30mm		12 PCS	F	Allen Wrench		1 PC

		
B=4	C=12	D=12
		
E=12	F=1	

The legs and hardware will be packed inside the zip pocket



① ②
③



1. Please note that the chair legs and hardware are packed inside the zip pocket
2. Attach leg B to the bottom of the chair, use Bolt(C) and parts (D/E/F) to tighten it.

MADE IN
CHINA



Manufactured for
Rooms To Go





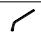
ASSEMBLY INSTRUCTION

ALEK: 411-15 OTTOMAN

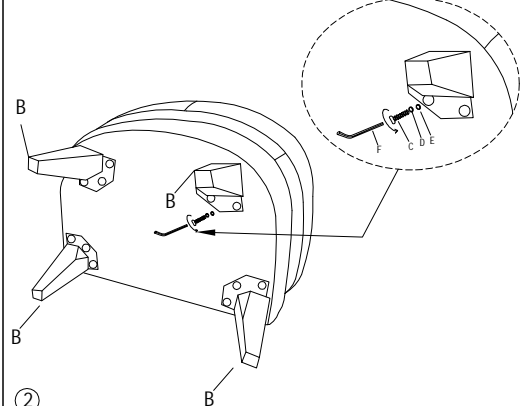
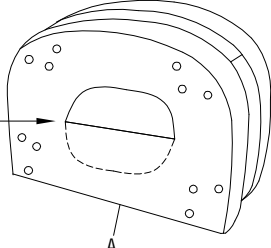
SKU# 10655388

Thank you for purchasing this quality product. Be sure to check all packing material carefully for small parts, which may have come loose inside the carton during shipment, Identify and count all parts and compare with the hardware list below.

PART LIST							
NO	Description	Item	QTY	NO	Description	Item	QTY
A	Ottoman Seat		1 PC	D	Spring Washer		12 PCS
B	Legs		4 PCS	E	Flat Washer		12 PCS
C	Bolt Dimension M8*30mm		12 PCS	F	Allen Wrench		1 PC

		
B=4	C=12	D=12
		
E=12	F=1	

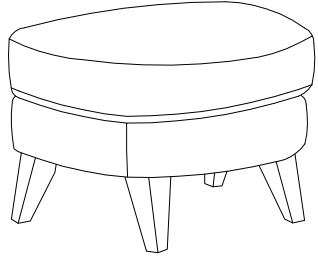
The legs and hardware will be packed inside the zip pocket



①

②

③



1. Please note that the ottoman legs and hardware are packed inside the zip pocket
2. Attach leg B to the bottom of the ottoman, use Bolt(C) and parts (D/E/F) to tighten it.

MADE IN
CHINA