






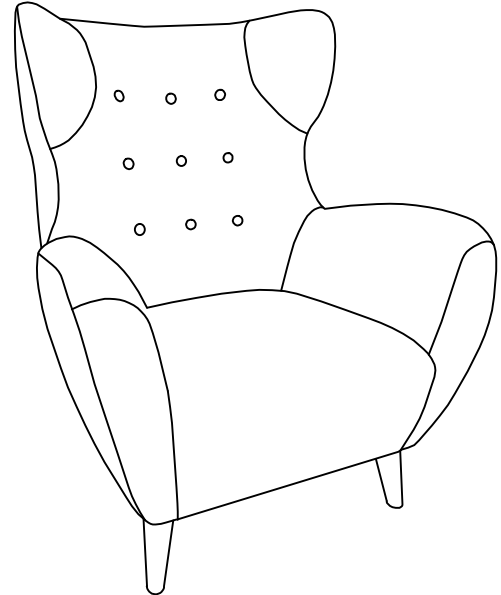


Assembly Instruction

BANC 3698 ACCENT CHAIR

SKU#10546983
SKU#10556984
SKU#10566985
SKU#10576986
SKU#10586987

| Code | Hardware | | QTY |
|------|--|---|--------|
| A | Wooden feet $\varnothing 60 \times 35 \times 165 \text{mm}$ |  | 4 PCS |
| B | Bolt M8*25mm |  | 12 PCS |
| C | Washer $\varnothing 19 \times \varnothing 8 \times 1.2 \text{mm}$ |  | 12 PCS |
| D | Allen key M5*100*50mm |  | 1 PC |
| F | Spring Washer $\varnothing 13 \times \varnothing 9 \times 1 \text{mm}$ |  | 12PCS |



Read this instruction carefully. Refer hardware and furniture parts are complete before assembling. Place all on a clean and flat soft surface to prevent scratches. Refer steps provided as assembling guide.

Step 1: Use Allen key (D) and drive the Bolt (B) with flat washer (C,F) to attach to the timber leg to assembly to leg (A). Repeat step 1 for the other legs (A)

