

ASSEMBLY INSTRUCTIONS

Description: Lounge Chair








Important safety instructions:

- Please carefully read all instructions before assembling the chair.
- For your safety and ease, assembly by two or more adults is recommended.
- Keep instructions for future use.









Pre-assembly:

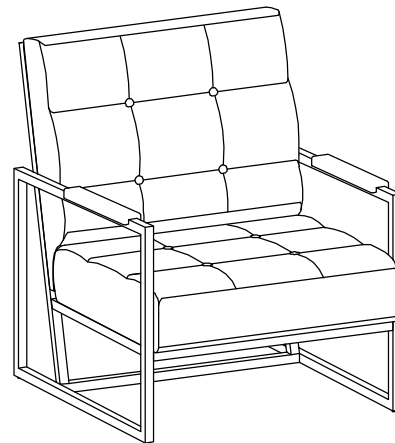
- Do not discard any contents until after assembly is complete to avoid accidentally discarding small parts or hardware.
- Remove all parts and hardware from box along with any plastic protective packaging.

Parts List

Item	Description		QTY
A	Back Metal Frame		1
B	Seat Metal Frame		1
C	Left Side Metal Frame		1
D	Right Side Metal Frame		1
E	Back Cushion		1
F	Seat Cushion		1
G	Upholstery Arm Rests		2

Hardware List

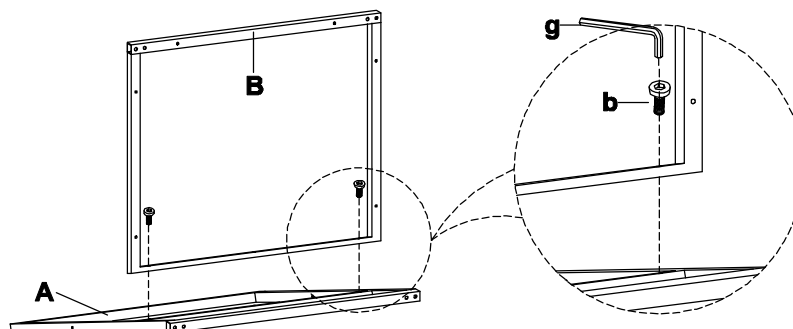
Item	Description		QTY
a	1/2" length Bolts Ø1/4"		8
b	1 3/16" length Bolts Ø1/4"		8
c	1 1/2" length Bolts Ø1/4"		6
d	2 3/8" length Bolts Ø1/4"		2
e	Lock Washers Ø1/4"		4
f	Flat Washers Ø1/4"*22mm		2
g	Allen Wrench 4mm		1
h	Flat Washers Ø1/4"*16mm		2



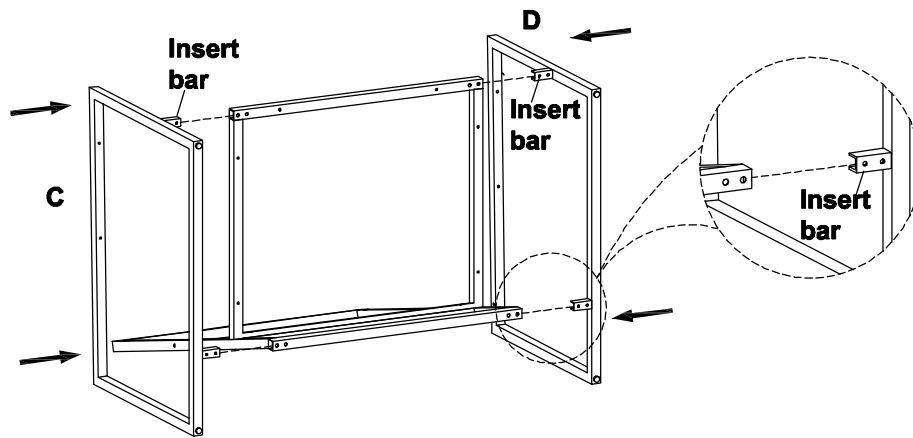
Assembly Procedures:

Step 1. Assemble the lounge chair on a flat, soft surface such as a carpet or cloth to prevent scratching the finish.

Attach the seat metal frame(B) to the back metal frame (A) using 1 3/16" bolts (b). Loosely tighten by Allen wrench (g).

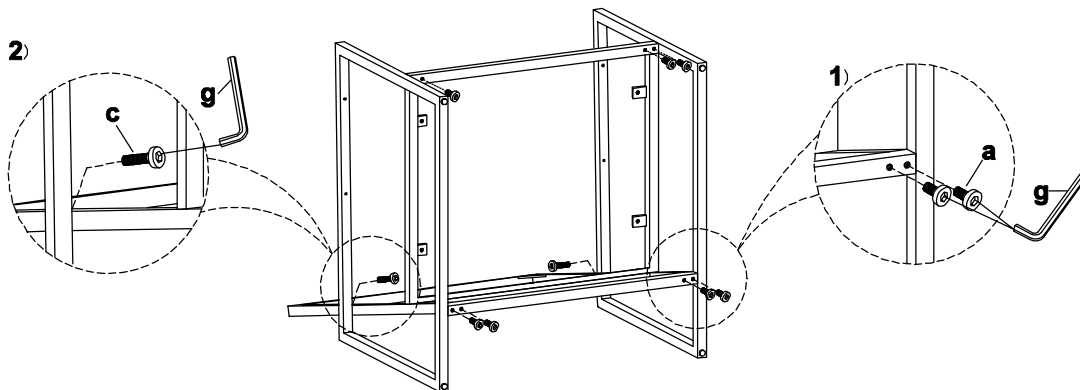


Step 2. Place left side metal frame (C) and right side metal frame (D) to seat metal frame (B) and the back metal frame (A), aligning insert the bar on side metal frames (C & D) to the holes on the seat metal frame (B), do not tighten at this time.

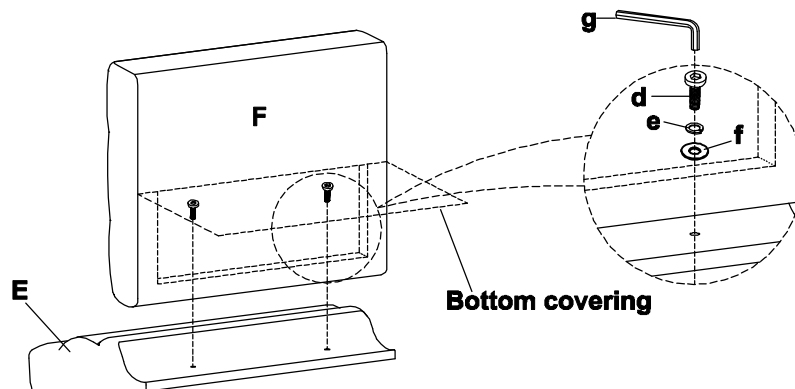


Step 3.

- 1) Attach left side metal frame (C) and right side metal frame (D) to seat metal frame (B) using $\frac{1}{2}$ " bolts (a).
- 2) Attach left side metal frame (C) and right side metal frame (D) to the back metal frame (A) using $1\frac{1}{2}$ " bolts (c).
- 3) Securely tighten all bolts by Allen wrench (g).

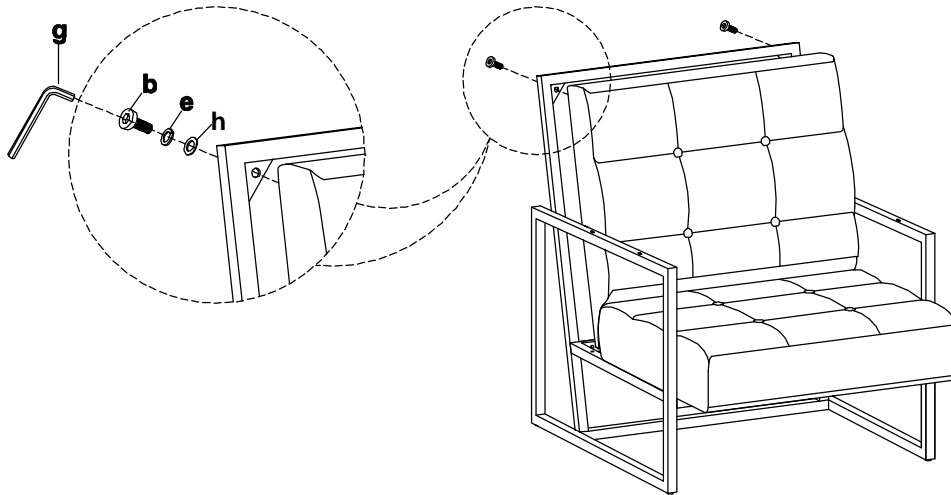


Step 4. Open bottom covering and attach the seat cushion (F) to the back cushion (E) using $2\frac{3}{8}$ " bolt (d), lock washers (e) and flat washers (f) as shown below. Securely tighten all bolts by Allen wrench (g).



Step 5. Hold the assembled seat cushion and back cushion by two or more adults is recommended.

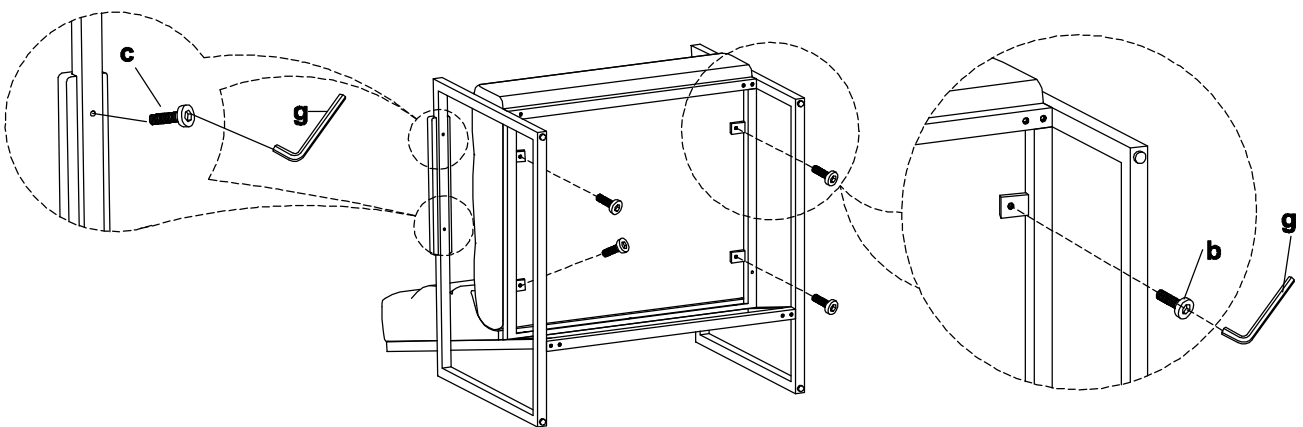
Lock the back of back cushion (E) on the back metal frame (A) using $1\frac{3}{16}$ " bolts (b), lock washers (e) and flat washers (h). Loosely tighten all the bolts by Allen wrench (g).



Step 6.

1) Securely tighten all bolts by Allen wrench (g), but do not over tighten. Lay the lounge chair back on the floor, then attach the seat metal frame (B) to seat cushion (F) using $1\frac{3}{16}$ " bolts (b) as shown below. Securely tighten all bolts by Allen wrench (g).

2) Attach the upholstery arm rests (G) to the left/right side metal frame (C/D) using $1\frac{1}{2}$ " bolts (c). Securely tighten by Allen wrench (g).



ADDITIONAL NOTE ABOUT SAFETY: BOLTS MAY LOOSEN DURING NORMAL EVERYDAY USE. THEY SHOULD BE PERIODICALLY INSPECTED AND RE-TIGHTENED TO PREVENT DAMAGE OR INJURY. ALWAYS CHECK TO BE SURE THAT ALL HARDWARE IS KEPT TIGHTENED.

Thank you for your purchase