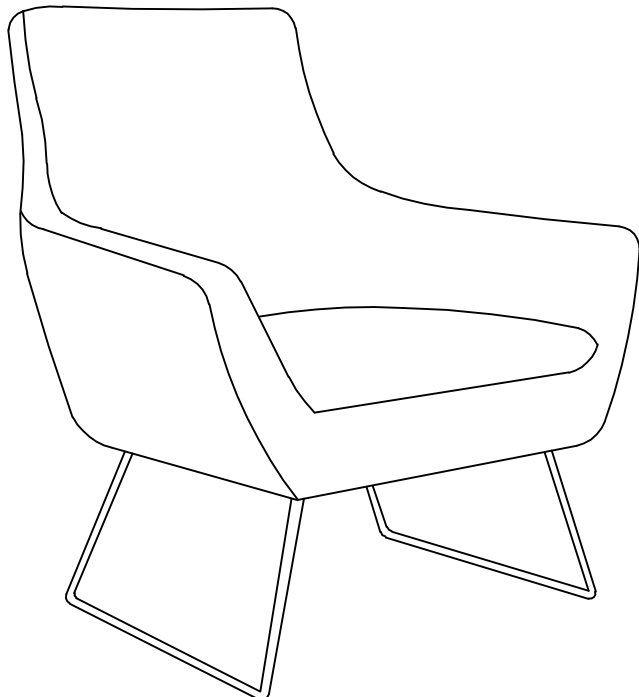
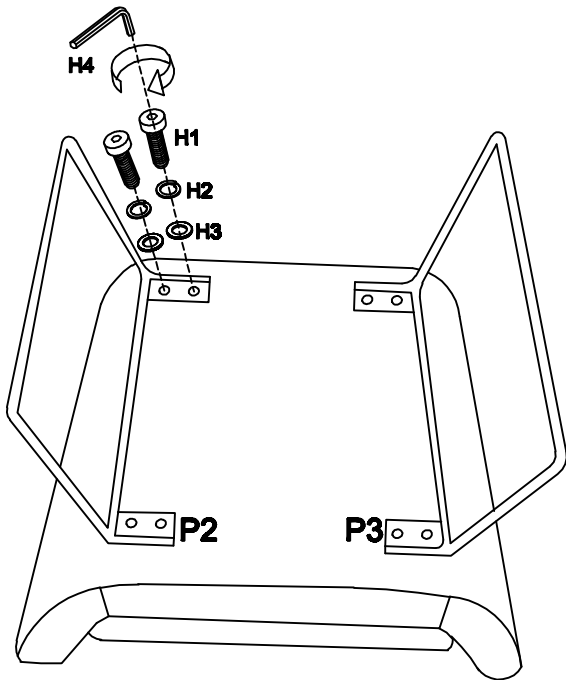


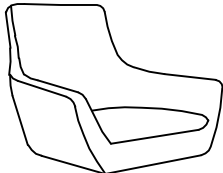

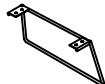
ASSEMBLY INSTRUCTIONS FOR Kendrick Chair Model # GR2002

GR2002 1.0

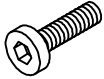


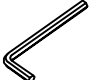
Hardware are packed in Red pp bag.
please open the box to remove Metal leg & Hardware



PART LIST

NO.	DESCRIPTION	IMAGES	QTY
P1	CUSHION		1
P2	LEGS		1
P3	LEGS		1

PARTS DIAGRAM

NO.	DESCRIPTION	IMAGES	QTY
H1	ALLEN BOLT		8
H2	SPRING WASHER		8
H3	FLAT WASHER		8
H4	ALLEN KEY		1