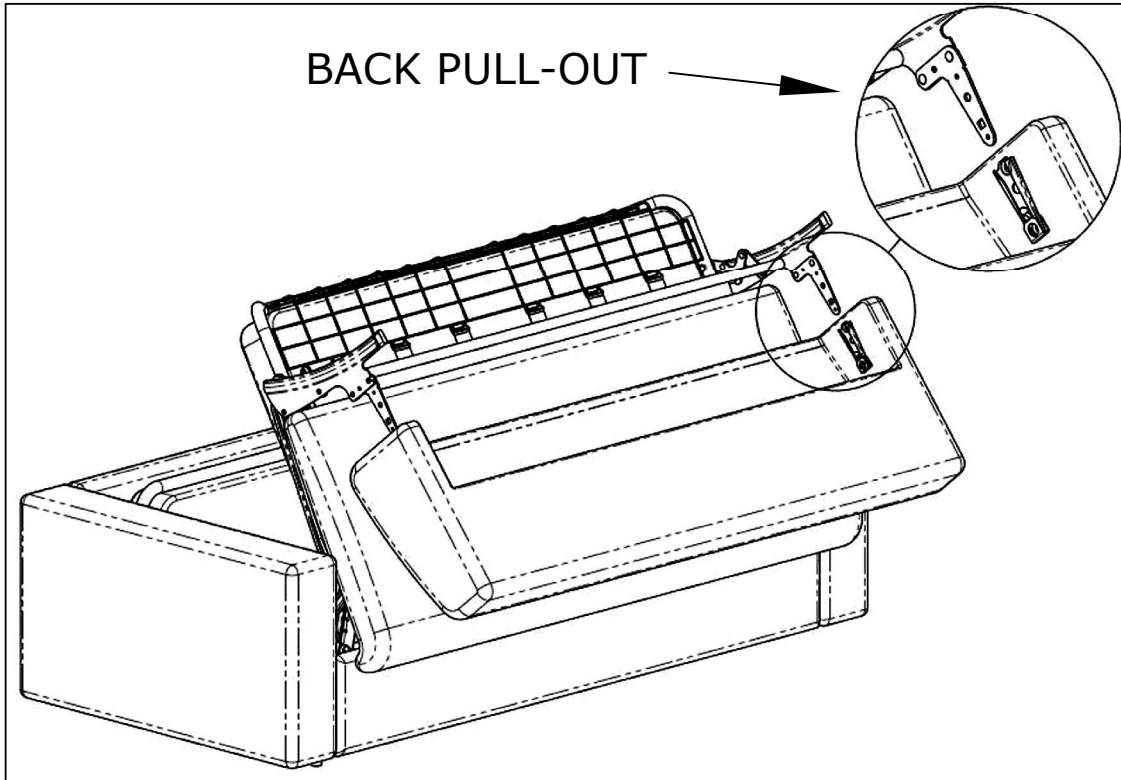


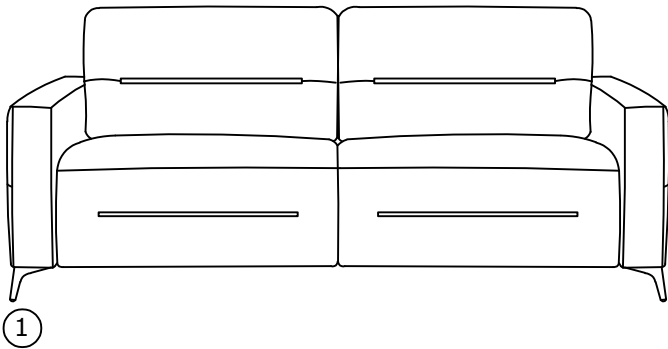
vendor code:  
CISR  
SKU:10904010;  
10804018

# KATHLEEN

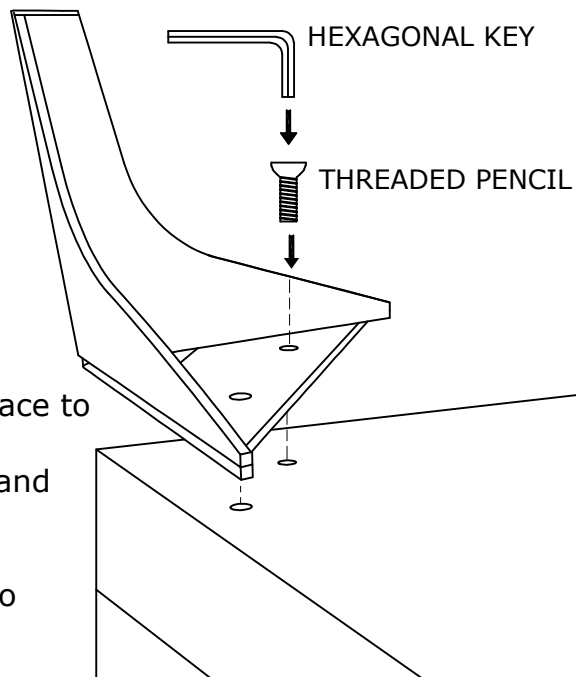
## DEPLIANT FOR SOFA ASSEMBLY



FRONT VIEW



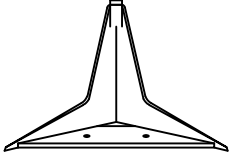
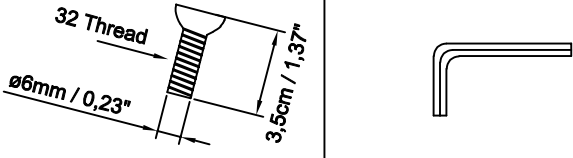
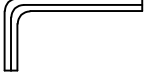
PLANT - VIEW FROM ABOVE THE SOFA

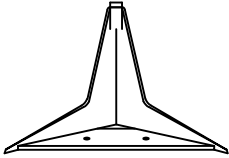
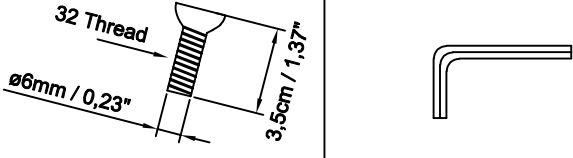



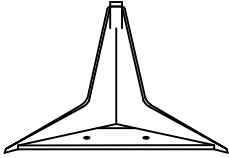
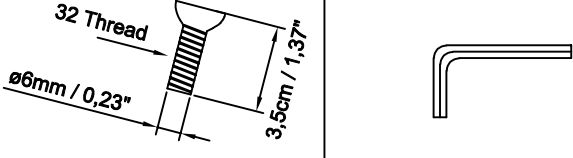

Turn unit upside down on a protected surface to prevent damage to leather and floor. Position the foot (1) as shown in diagram and attach with the screw included. Repeat process for remaining legs. Reposition unit upright taking precaution to prevent damage to floor or leather.

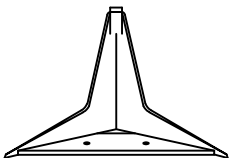
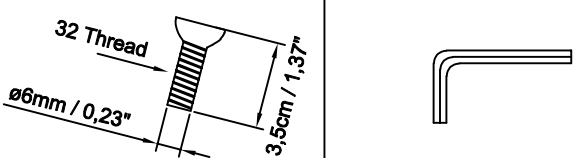

# KATHLEEN

## SOFA ASSEMBLY KIT

3 SEAT SOFA BED (V039)		
4 PIECES	8 PIECES	1 PIECE
		
FOOT	PIN	HEXAGONAL KEY

2,5 SEAT SOFA BED (V100)		
4 PIECES	8 PIECES	1 PIECE
		
FOOT	PIN	HEXAGONAL KEY

2 SEAT SOFA BED (V078)		
4 PIECES	8 PIECES	1 PIECE
		
FOOT	PIN	HEXAGONAL KEY

CHAIR SOFA BED (V101)		
4 PIECES	8 PIECES	1 PIECE
		
FOOT	PIN	HEXAGONAL KEY