



Manufactured for Rooms To Go

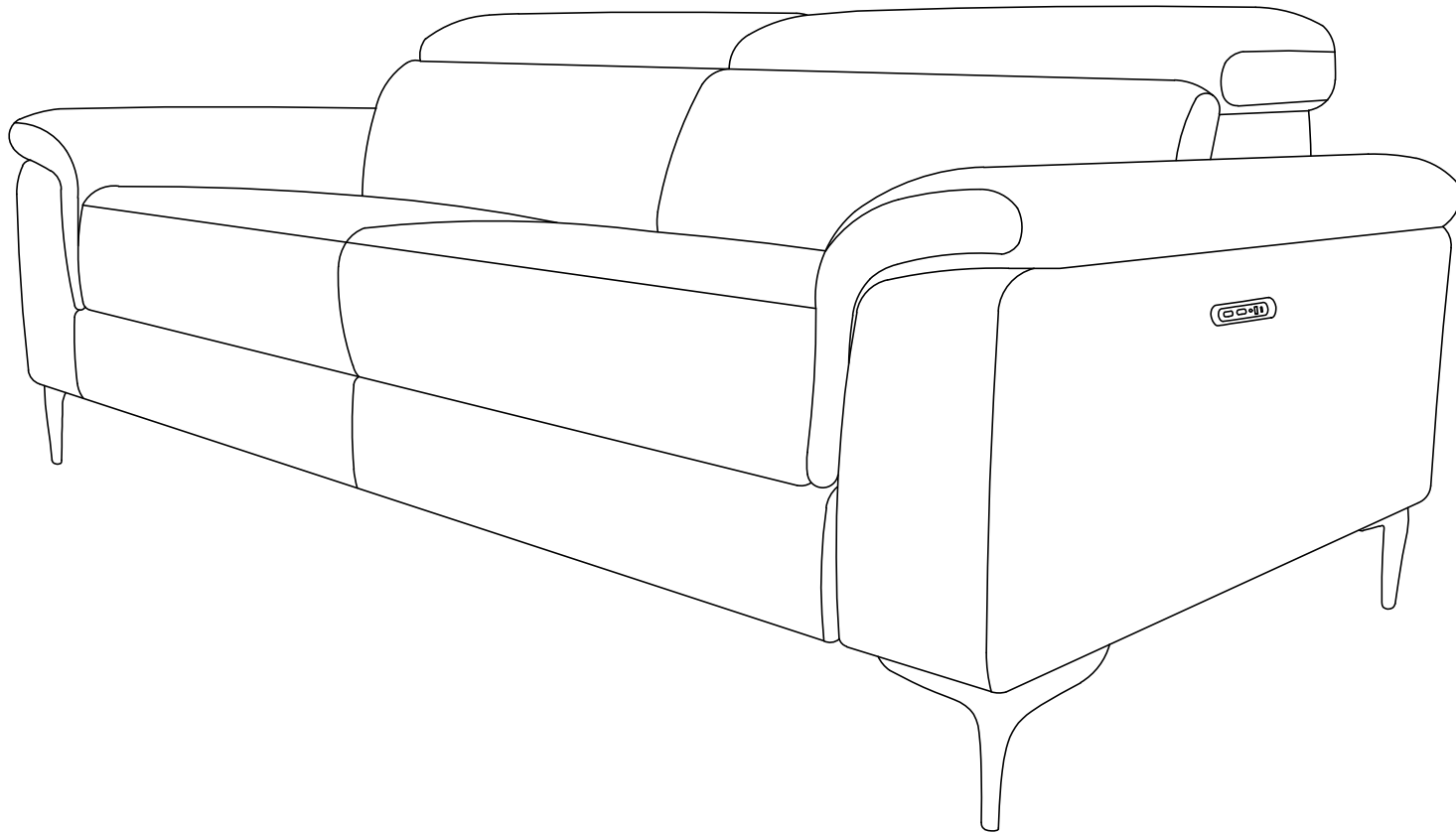
SKU:11021209

SKU:11021211

SKU:11021223

MING:RT-R212RP(3 Seater)

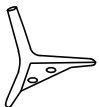




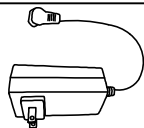
3双电动电靠



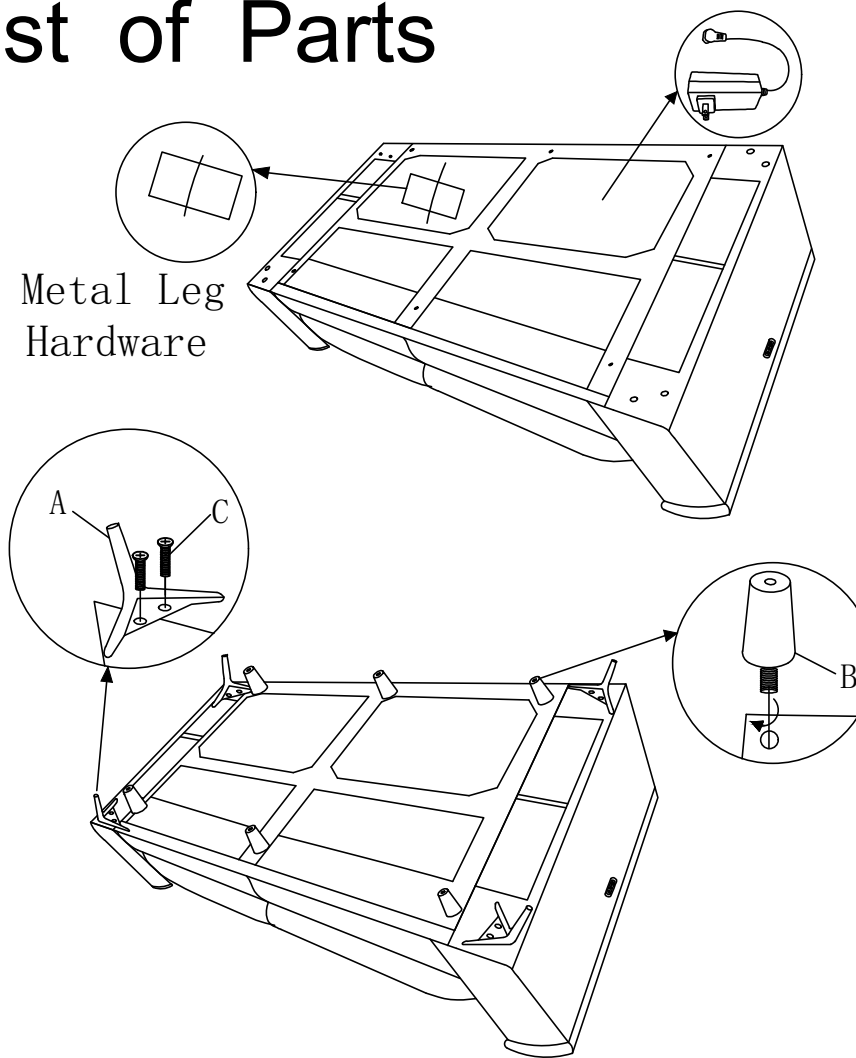
①

TOOLS REQUIRED:NO TOOLSREQUIRED

PART LIST

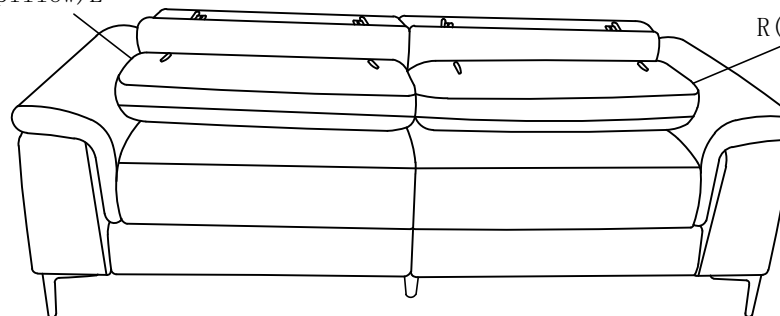
NO.	Description	Item	QTY
A	Metal Leg		x4
B	Plastic Leg		x6
C	Screw Thread Count: 45	 6*40mm	x16
D	Headrest pillow (L)		x1
E	Headrest pillow (R)		x1
F	Wall Plug		x1

# List of Parts



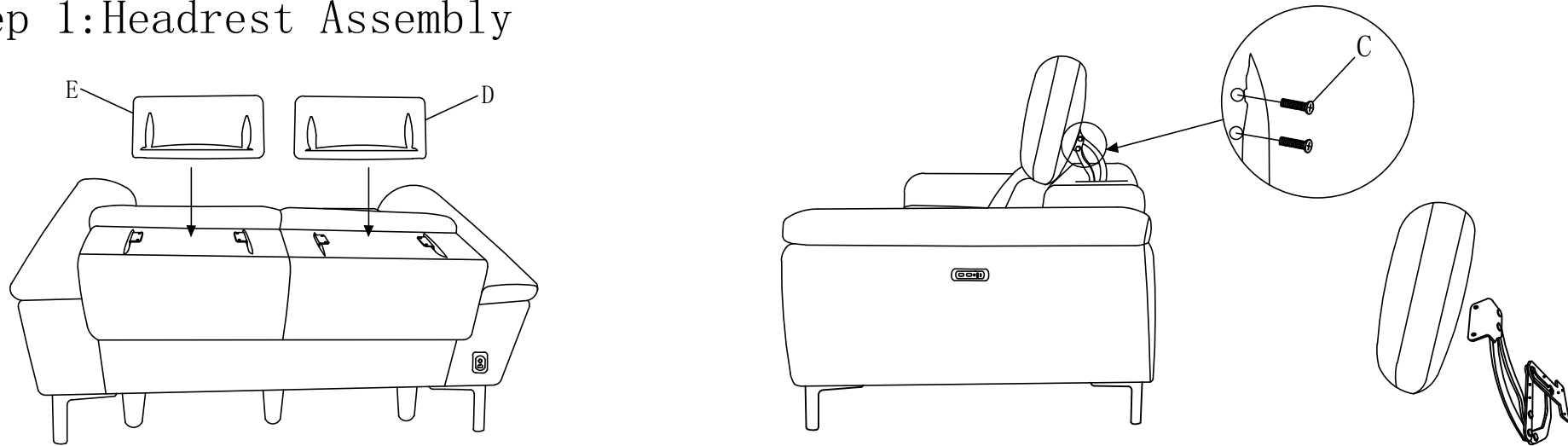
D (Headrest pillow)L

R(Headrest pillow)E

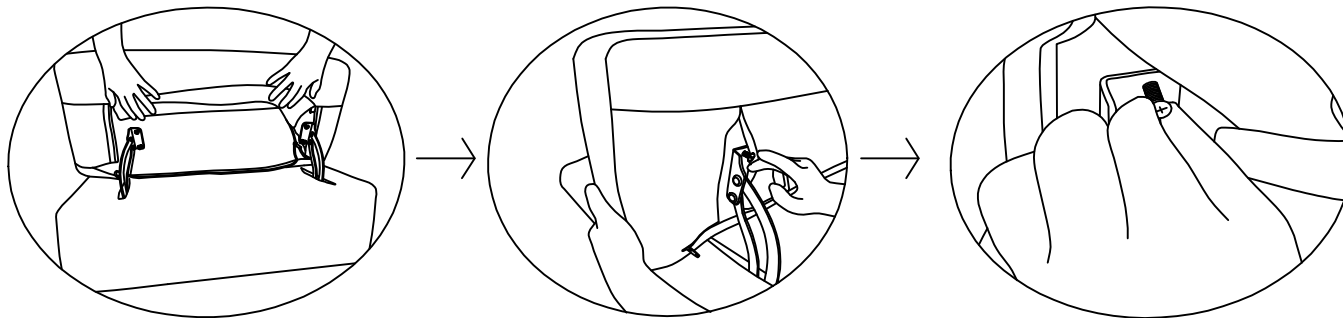


# ASSEMBLY INSTRUCTIONS

## Step 1: Headrest Assembly

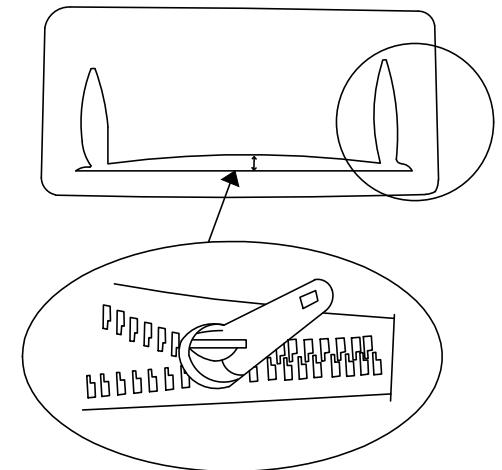


## Step 2: Head Restraint Installation



③

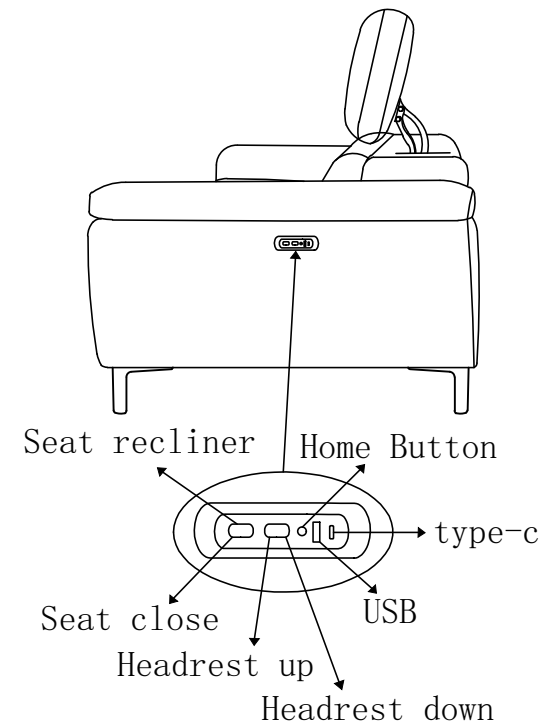
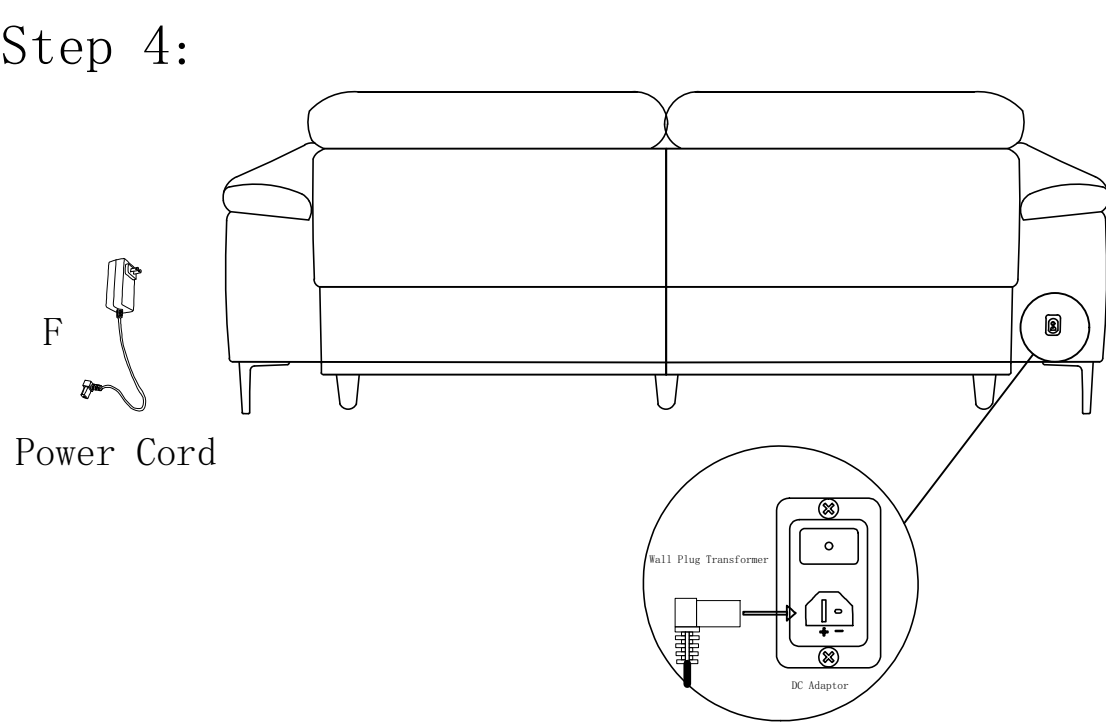
## Step 3: Zipper



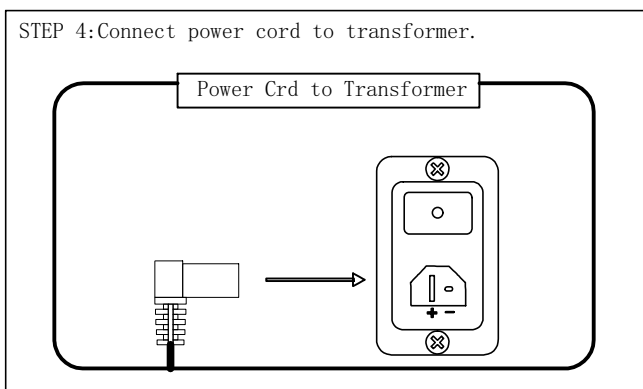
Zips up the Headrest

# POWER CONNECTIONS

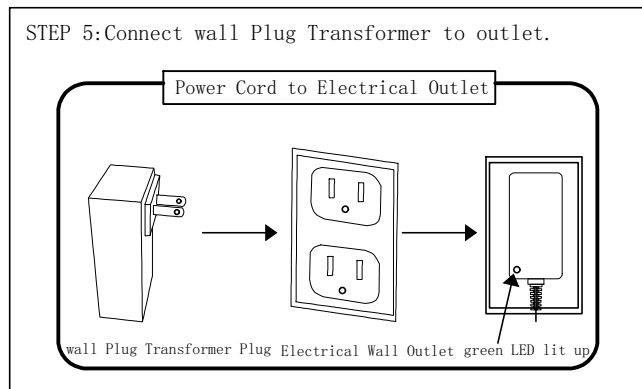
Step 4:



Step 5:



Step 6:



Step 7:

