



Manufactured for Rooms To Go

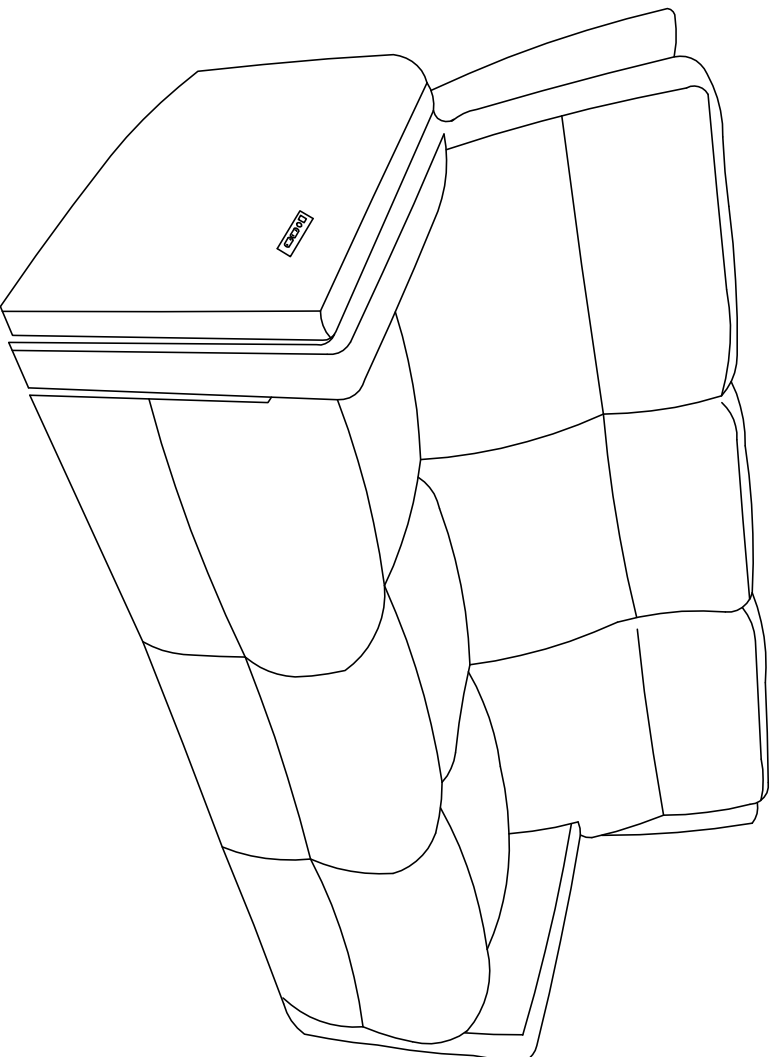
ASSEMBLY INSTRUCTION

VENDOR CODE: CAVS

STOCK#: 9027-3 DUAL PWR RECL SOFA

SKU#: 11090278

SKU#: 11090280





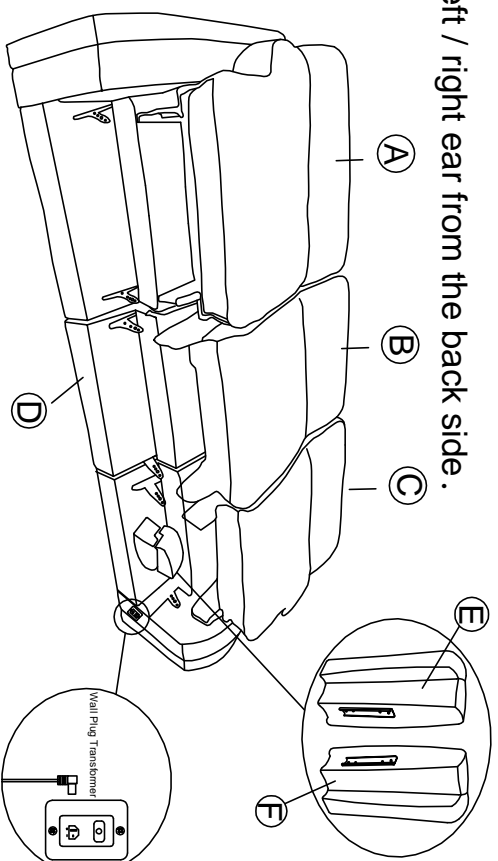
Manufactured for Rooms To Go

LIST OF PART

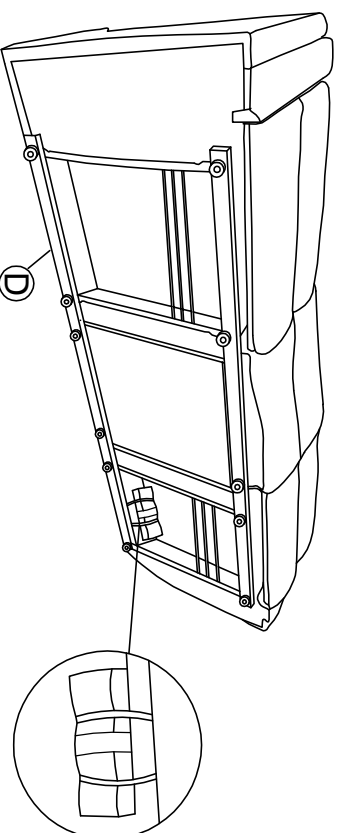
VENDOR CODE: CAVS
STOCK#: 9027-3 DUAL PWR RECL SOFA
SKU#: 11090278
SKU#: 11090280

Location of KD parts

Take out left / right ear from the back side.



TOOLS REQUIRED: NO			
PART LIST			
NO	Description	Sketch	Quantity
A	LEFT BACK		1
B	MIDDLE BACK		1
C	RIGHT BACK		1
D	SEAT FRAME		1
E	LEFT EAR		1
F	RIGHT EAR		1
G	POWER CORD (bind on bottom metal frame)		1



The power cord binds on bottom metal frame.



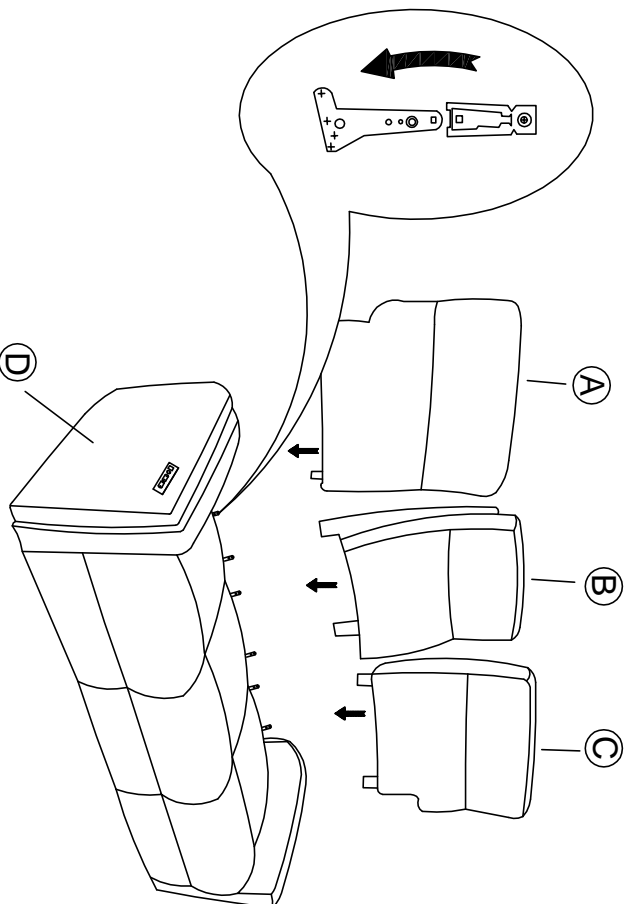
Manufactured for Rooms To Go

ASSEMBLY INSTRUCTION

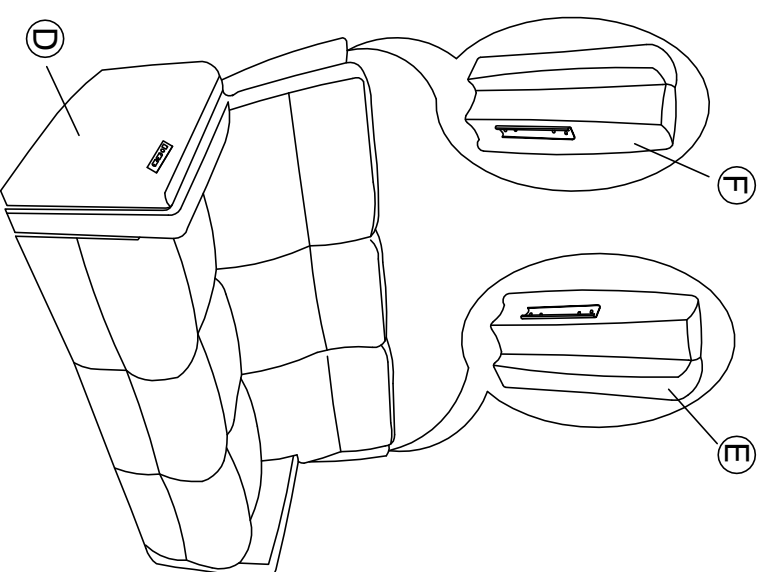
VENDOR CODE: CAVS
STOCK#: 9027-3 DUAL PWR RECL SOFA

SKU#: 11090278
SKU#: 11090280

STEP 1: Insert left back (A), middle back (B) and right back (C) into seat frame (D).



STEP 2: Attach left ear (E) and right ear (F) to left back (A) and right back (C).





Manufactured for Rooms To Go

POWER CONNECTIONS

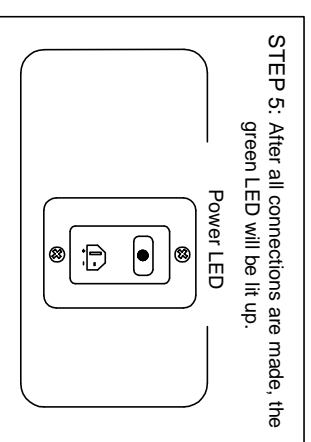
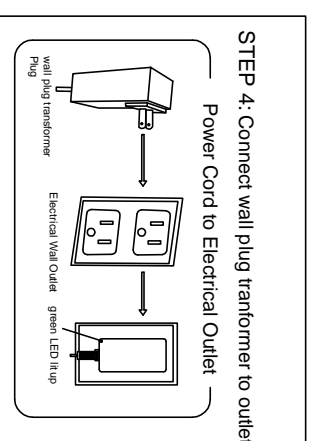
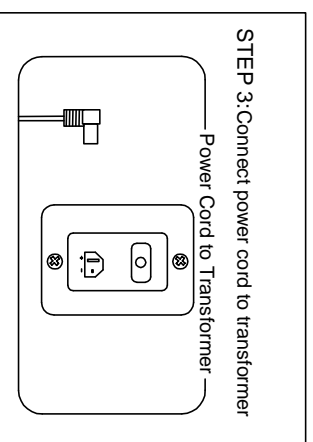
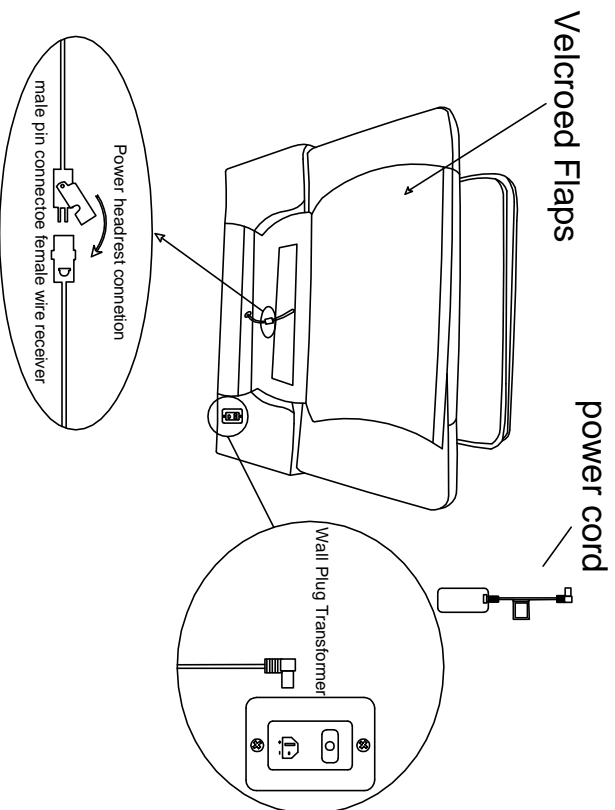
VENDOR CODE: CAVS

STOCK#: 9027-3 DUAL PWR RECL SOFA

SKU#: 11090278

SKU#: 11090280

Ensure that wall power outlet is operational. Connect firmly one end the wall plug transformer cord into the DC adaptor located in the lower back corner of the right recliner and plug the other end of the transformer cord into a power outlet/wall socket. After all the connections are made, the green LED light will be lit up.





Manufactured for Rooms To Go

POWER CONNECTIONS

VENDOR CODE: CAVS
STOCK#: 9027-3 DUAL PWR RECL SOFA
SKU#: 11090278
SKU#: 11090280

ENGLISH

IMPORTANT SAFETY INSTRUCTIONS

WARNING

Misuse can result in FIRE or DEATH by ELECTRICAL SHOCK

29 VDC/ 2.0A

MAN WAH (MACAO COMMERCIAL OFFSHORE) LIMITED

141600654

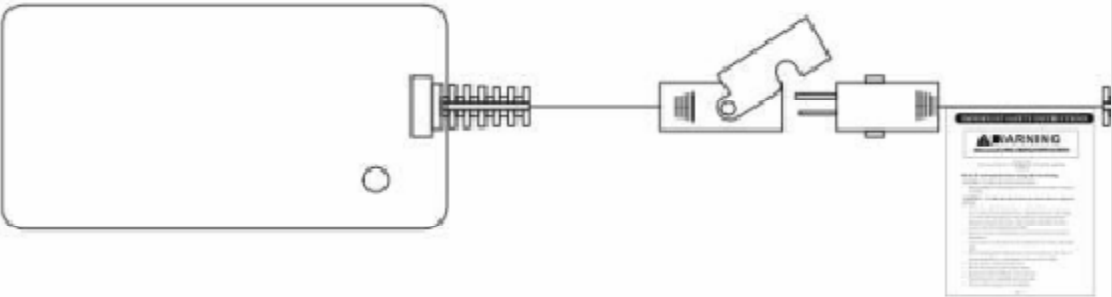
Read all instructions before using this furnishing.

DANGER-To reduce the risk of electric shock:

- Always unplug this furnishing from the electrical outlet before cleaning or servicing

WARNING-To reduce the risk of burns, fire, electric shock, or injury to persons:

- Unplug from outlet before putting on or taking off parts.
- Never operate this furnishing if it has a damaged electrical cord or plug; if it is not working properly, or if the electrical cord or plug has been damaged or dropped into water. Stop using this furnishing and call a service center for examination and repair
- Keep the electrical cord and plug away from heated surfaces and other heat sources
- To disconnect, turn all controls to the off position, then remove plug from outlet
- When operating, ensure that electrical cord is not under the base, legs, or motion mechanism to avoid damage to electrical cord or plug
- Do not strain or stretch electrical cord.
- Do not use extension cords or power strips
- Keep out of reach of children This is not a toy
- Plug directly into a compatible electrical socket
- Do not modify the plug or use any adapters



SPANISH

INSTRUCCIONES DE SEGURIDAD IMPORTANTES

WARNING

El mal uso puede provocar INCENDIO o MUERTE por DESCARGA ELÉCTRICA

29 VDC/ 2.0A

MAN WAH (MACAO COMMERCIAL OFFSHORE) LIMITED

141600654

Leer todas las instrucciones antes de usar este mobiliario.

PELIGRO - Para reducir el riesgo de descarga eléctrica:

- Siempre desenchufe este accesorio de la toma de corriente eléctrica antes de limpiarlo o repararlo.

ADVERTENCIA: para reducir el riesgo de quemaduras, incendios, descargas eléctricas o lesiones a personas:

- Desenchufe del tomacorriente antes de colocar o quitar partes.
- Nunca opere este accesorio si tiene un cable o enchufe eléctrico dañado, si no funciona correctamente, o si el cable o el enchufe eléctrico se ha dañado o se ha caído al agua. Deje de usar este equipamiento y llame a un centro de servicio para que lo examinen y lo reparen.
- Mantenga el cable eléctrico y el enchufe lejos de superficies calientes y otras fuentes de calor.
- Para desconectar, gire todos los controles a la posición de apagado. Luego retire el enchufe del tomacorriente.
- Al operar, asegúrese de que el cable eléctrico no esté debajo de la base, las patas o el mecanismo de movimiento para evitar dañar el cable eléctrico o el enchufe.
- No fuerce ni estire el cable eléctrico.
- No utilice cables de extensión o tomas de corriente.
- Mantener fuera del alcance de los niños. Esto no es un juguete
- Enchúfelo directamente a una toma de corriente compatible.
- No modifique el enchufe ni utilice adaptadores.



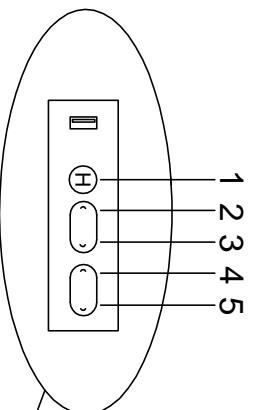
Manufactured for Rooms To Go

Electrical Controls

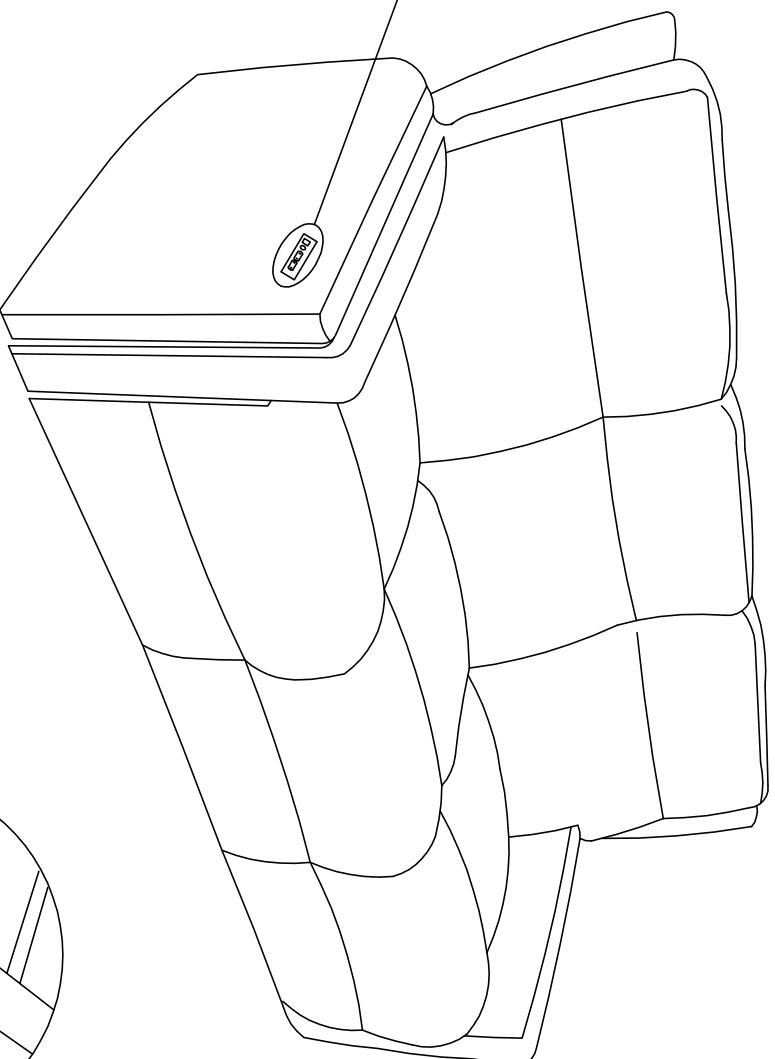
VENDOR CODE: CAVS
STOCK#: 9027-3 DUAL PWR RECL SOFA

SKU#: 11090278
SKU#: 11090280

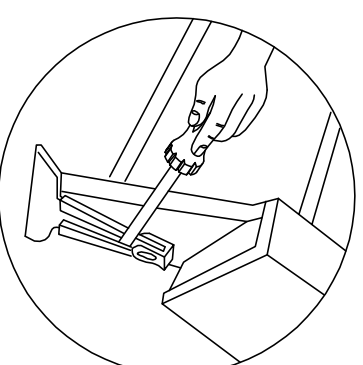
direction



1. Press button (1) Home button
2. Press button (2) Headrest backward
3. Press button (3) Headrest forward
4. Press button (4) Seat backward
5. Press button (5) Seat forward



To remove the inside backs, use a screwdriver pressing outward on the black tab in the metal sleeve on both side of the inside back and lift the inside back from the base of the furniture.



ASSEMBLY INSTRUCTION



Manufactured for Rooms To Go

VENDOR CODE: CAVS
STOCK#: 9027-3 DUAL PWR RECL SOFA
SKU#: 11090278
SKU#: 11090280

CARE AND CLEANING

*Upholstered furniture is packaged tightly to protect it during transit. This packaging can sometimes cause creases or misshaped cushions when the furniture comes out of the packaging. These issues will correct themselves over time as the fibers of the cushions are exposed to air. However, shaping the cushions with your hands can alleviate the creases and compressed fibers more quickly.



*Dust often and use a vacuum cleaner to remove debris from seams and crevasses.

*Use a soft damp cloth to gently clean soiled areas and wipe clean. Do not rub.

*Do not use household cleaners or solvents. Such cleaners may cause damage and/or discoloration.

*Do regularly use dedicated leather care product onto the leather furniture to prevent built up of body oils.



*Avoid placing unit in areas where unit can be exposed to direct sunlight other powerful light sources

*Keep unit at least 24" from all heat sources.

As fading or discoloration may occur.



*Do not reach under seat when mechanism is operating or serious injury may occur.

*Reclining mechanism should only be operated while seated properly.

Do not sit on arms or backrest
Do not jump or roughhouse on furniture



*If unit must be moved, do not drag. Unit must be lifted in order to be moved.



Do not continuously operate mechanism for more than one minute or unit may go into protection mode by shutting down to prevent overheating.

*Unplug unit from power source prior to cleaning mechanism.

*Do not allow electrical components to come into contact with any liquids.