



Assembly Instructions for K2247-58PHR

SYNE: K2247-58PHR ZG Power Sofa w/ power headrest

SKU:15122473 / 11122479 / 11122455 / 11122467

STEP 1

The wood feet and transformer are located at the rear of the Seat.

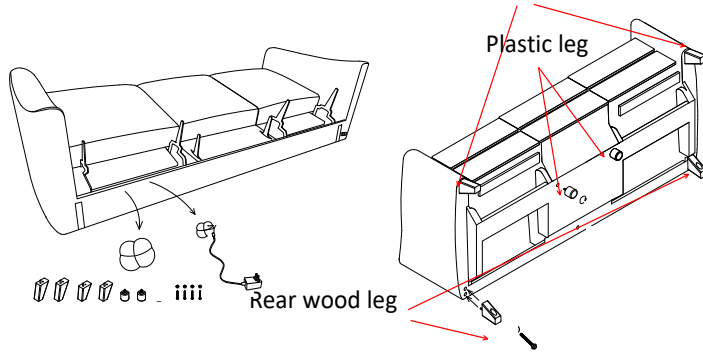
STEP 2

Take all feet and place the plastic washer on to bolt of each plastic foot.

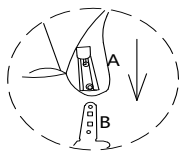
STEP 3

Attach each foot to the corresponding pre-drilled holes by hand turning in clockwise direction until is tight.

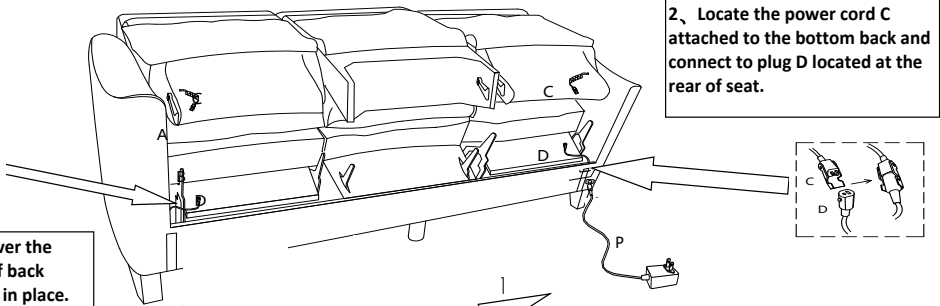
PARTS LIST			
Front wood Leg 2 pieces		Plastic Leg 2 pieces	
Rear wood Leg 2 pieces		Wall Transformer	
Bolt(4 pieces)(M8*3.54 18thread per inch)			



NOTE: Please do not over tighten the feet as it could cause damage.



1、Slide the metal receiver over the metal post.Press both sides of back firmly downward until locked in place.



2、Locate the power cord C attached to the bottom back and connect to plug D located at the rear of seat.

3、Locate the Wall Transformer P and connect to DC Port located at the rear of arm.

Note:
Make sure all PLUGS are connected on the product before plugging power cord into power outlet. If not damage can occur.
The USB ports (where applicable) are designed with working voltage of 5V, and can NOT be used to supply power for laptop computers (neither PC or Mac). Plugging a laptop computer to the USB port may end up damaging either the computer or the USB port due to unmatched working voltage.

⚠ WARNING
Misuso can result in FIRE or DEATH by ELECTRICAL SHOCK

Read all instructions before using this furnishing.

DANGER - To reduce the risk of electric shock
1. Always unplug this furnishing from the electrical outlet before cleaning or servicing.

WARNING - To reduce the risk of burns, fire, electric shock, or injury to persons:

1. Unplug from outlet before putting on or taking off parts.
2. Never operate this furnishing if it has a damaged electrical cord or plug, if it is not working properly, or if the electrical cord or plug has been damaged or dropped into water. Stop using this furnishing and call a service center for examination and repair.
3. Keep the electrical cord and plug away from heated surfaces and other heat sources.
4. To disconnect, turn all controls to the off position, then remove plug from outlet.
5. When operating, ensure that electrical cord is not under the base, legs, or motion mechanism to avoid damage to electrical cord or plug.
6. Do not strain or stretch electrical cord.
7. Do not use extension cords or power strips.
8. Keep out of reach of children. This is not a toy.

⚠ WARNING
El mal uso puede provocar INCENDIO o MUERTE por DESCARGA ELÉCTRICA

Levlee todas las instrucciones antes de usar este mobiliario.

PELIGRO - Para reducir el riesgo de descarga eléctrica:
1. Siempre desenchufe este accesorio de la toma de corriente eléctrica antes de limpiarlo o repararlo.

ADVERTENCIA - Para reducir el riesgo de quemaduras, incendios, descargas eléctricas o lesiones a personas:

1. Desenchufe del tomacorriente antes de colocar o quitar partes.
2. Nunca opere este accesorio si tiene un cable o enchufe eléctrico dañado, si no funciona correctamente, o si el cable o el enchufe eléctrico se ha dañado o se ha caído al agua. Deje de usar este equipamiento y llame a un centro de servicio para que lo examinen y lo reparen.
3. Mantenga el cable eléctrico y el enchufe lejos de superficies calientes y otras fuentes de calor.
4. Para desconectar, gire todos los controles a la posición de apagado, luego retire el enchufe del tomacorriente.
5. Al operar, asegúrese de que el cable eléctrico no esté debajo de la base, las patas o el mecanismo de movimiento para evitar dañar el cable eléctrico o el enchufe.
6. No fuerce ni estire el cable eléctrico.
7. No utilice cables de extensión o tomas de corriente.
8. Mantener fuera del alcance de los niños. Esto no es un juguete.