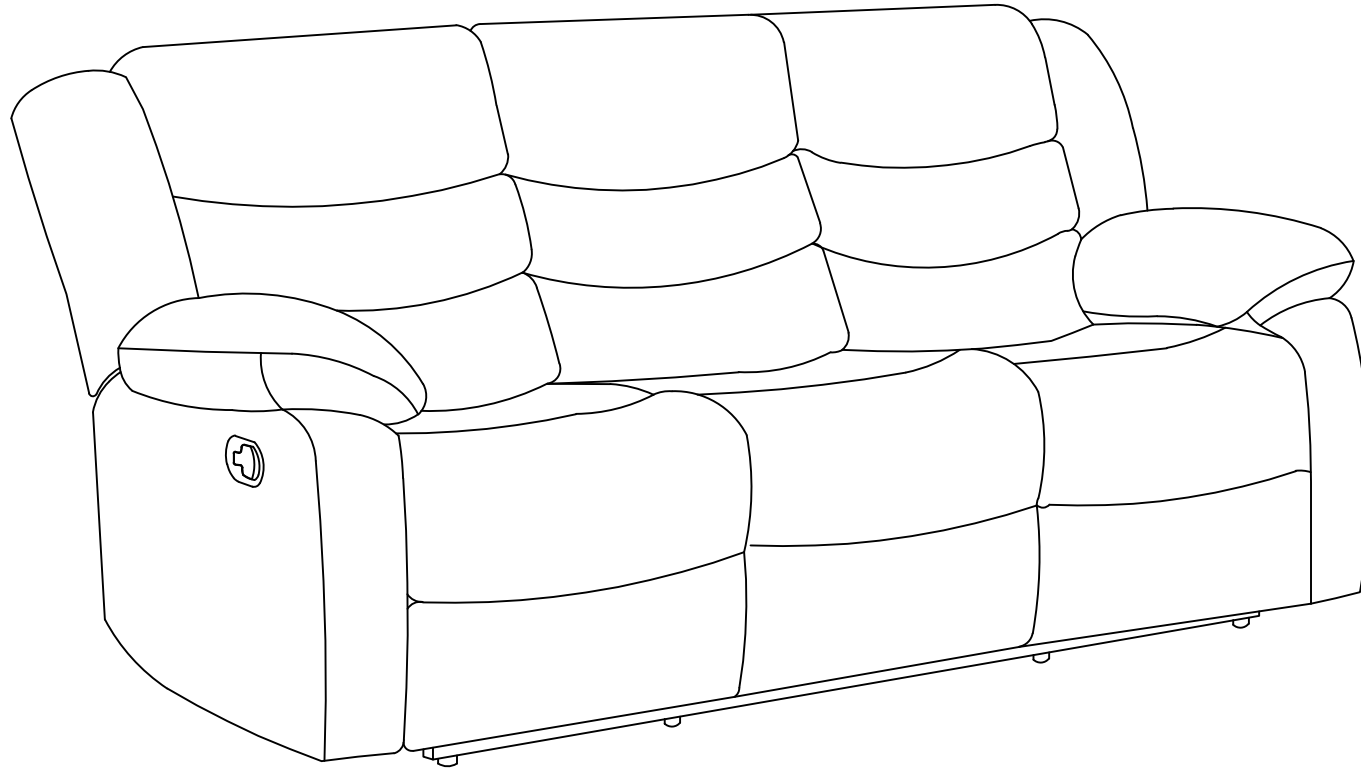




Manufactured for Rooms To Go

MNRM
417000 Manual sofa








SKU :
11141708
11141710
11141722
11141734

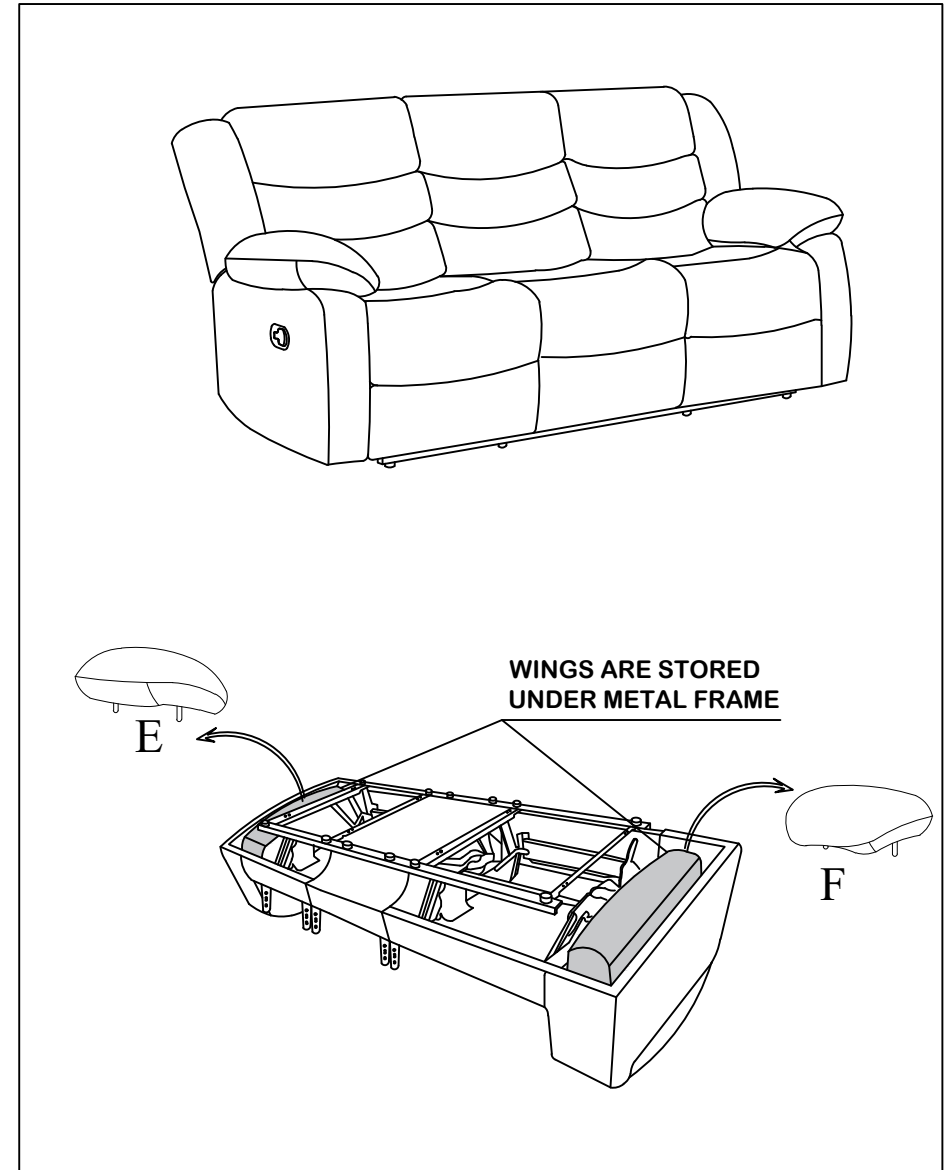


LIST OF PARTS

TOOLS REQUIRED:NO TOOLS REQUIRED

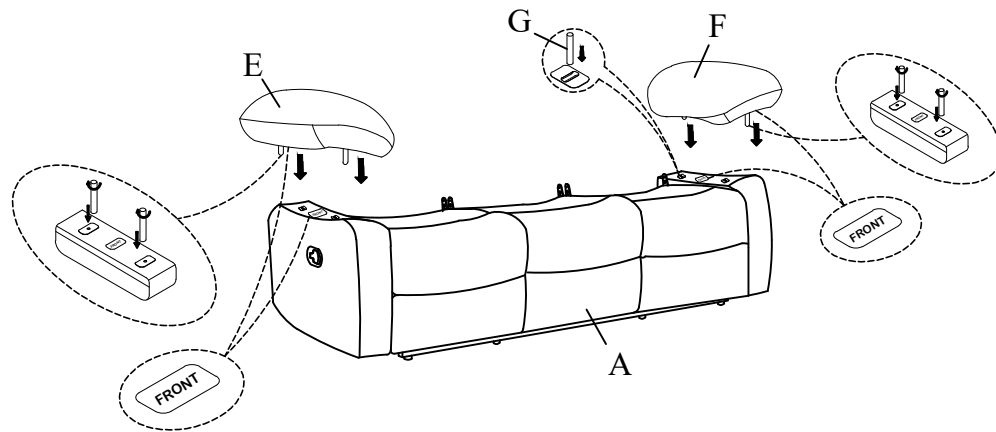
PART LIST

NO	Description	Item	Quantity
A	Seat		1
B	Left Backrest		1
C	Middle Backrest		1
D	Right Backrest		1
E	Left Armrest		1
F	Right Armrest		1
G	Fixed latch		4



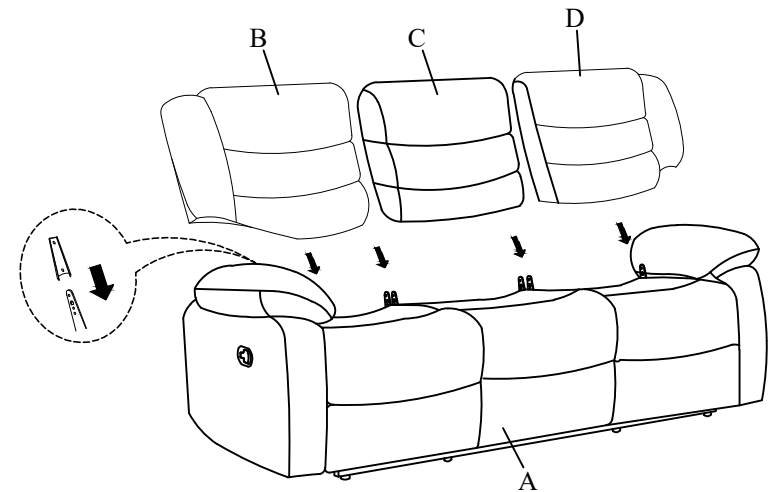
ASSEMBLY

STEP : 1



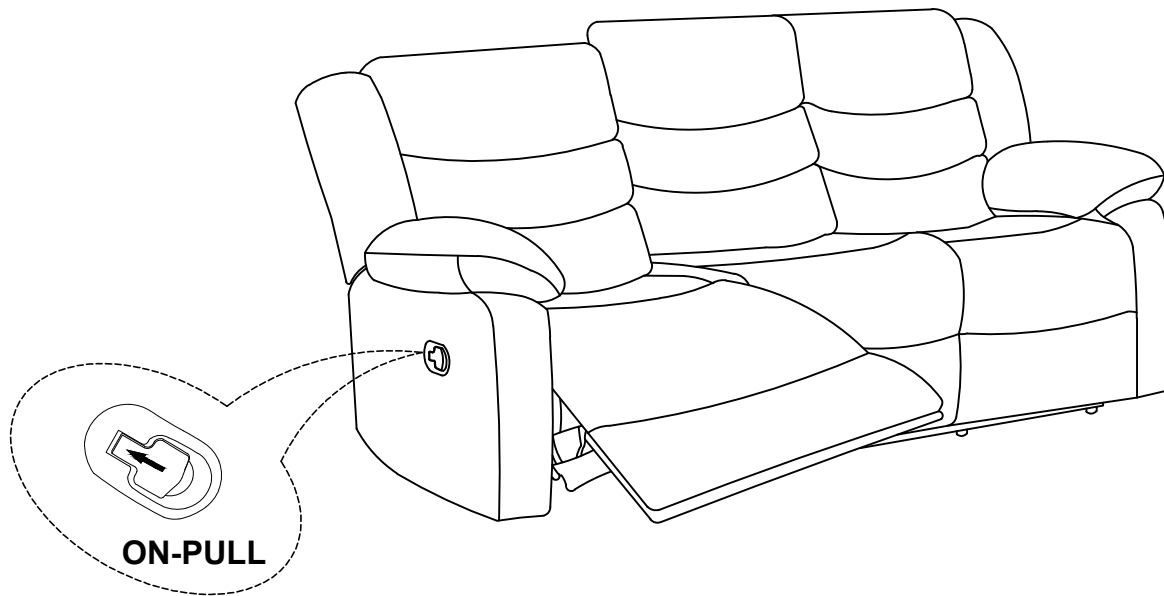
Attach the Left/Right Armrest (E/F) to the Seat (A) by using the Fixed latch (G).

STEP : 2



Attach the Backrest (B/C/D) to the Seat (A).

ASSEMBLY

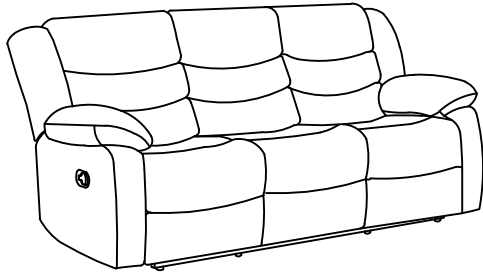


Open the Footrest by pulling out the Switch

WARNINGS

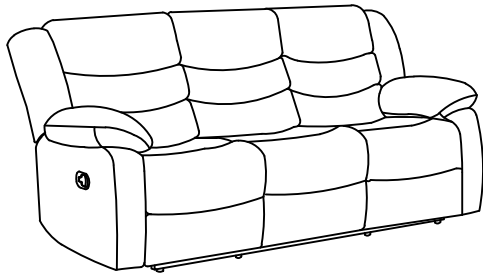
*Keep unit at least 24" from all heat sources.

*Avoid placing unit in areas where unit can be exposed to direct sunlight other powerful light sources, as fading or discoloration may occur.



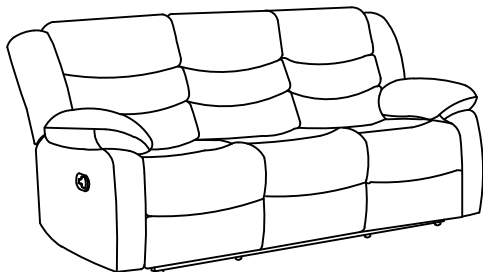
*Do not reach under seat when mechanism is operating or serious injury may occur.

*Reclining mechanism should only be operated while seated properly.

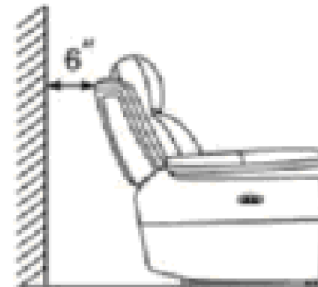


*Do not sit on arms or backrest.

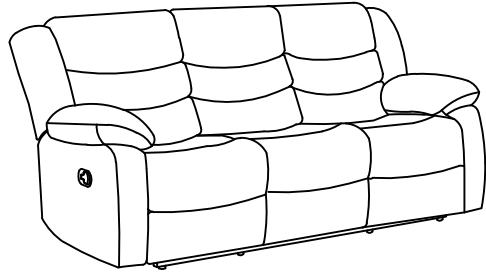
*Do not jump or roughhouse on furniture



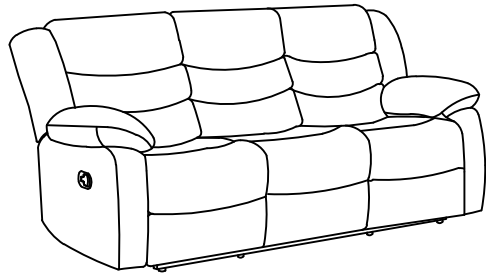
Maintain minimum of 6" space between the furniture backs and wall.



*If unit must be moved. do not drag. Unit must be lifted in order to be moved

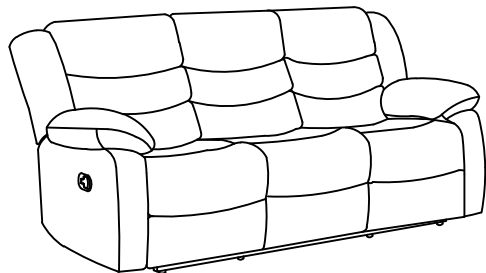


- *Do not continuously operate mechanism for more than one minute or unit may go into protection mode by shutting down to prevent overheating.
- *Unplug unit from power source prior to cleaning mechanism.
- *Do not allow electrical components to come into contact with any liquids.



CARE AND CLEANING

*Unupholstered furniture is packaged tightly to protect it during transit. This packaging can sometimes cause creases or misshaped cushions when the furniture comes out of the packaging. These issues will correct themselves over time as the fibers of the cushions are exposed to air. However, shaping the cushions with your hands can alleviate the creases and compressed fibers more quickly.



- *Dust often and use a vacuum cleaner to remove debris from seams and crevasses.
- *Use a soft damp cloth to gently clean soiled areas and wipe clean. Do not rub.
- *Do not use household cleaners or solvents. Such cleaners may cause damage and/or discoloration.
- *Do regularly use dedicated leather care product onto the leather furniture to prevent built up of body oils.

TROUBLESHOOTING

PROBLEM	SOLUTION
Not Reclining	
USB not working	Check all the connections Step