



HELLO

PX9019-02CP2 Loveseat - Console Dual Power Reclining

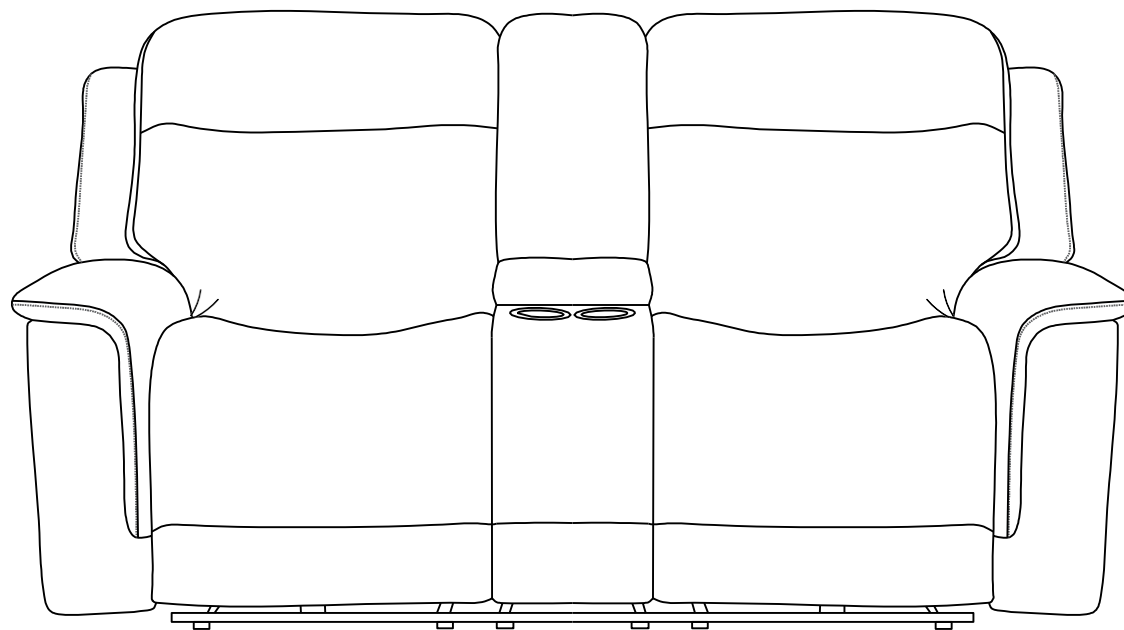
Manufactured for Rooms To Go

SKU:

11290171

11290195

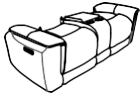





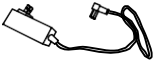
11290183

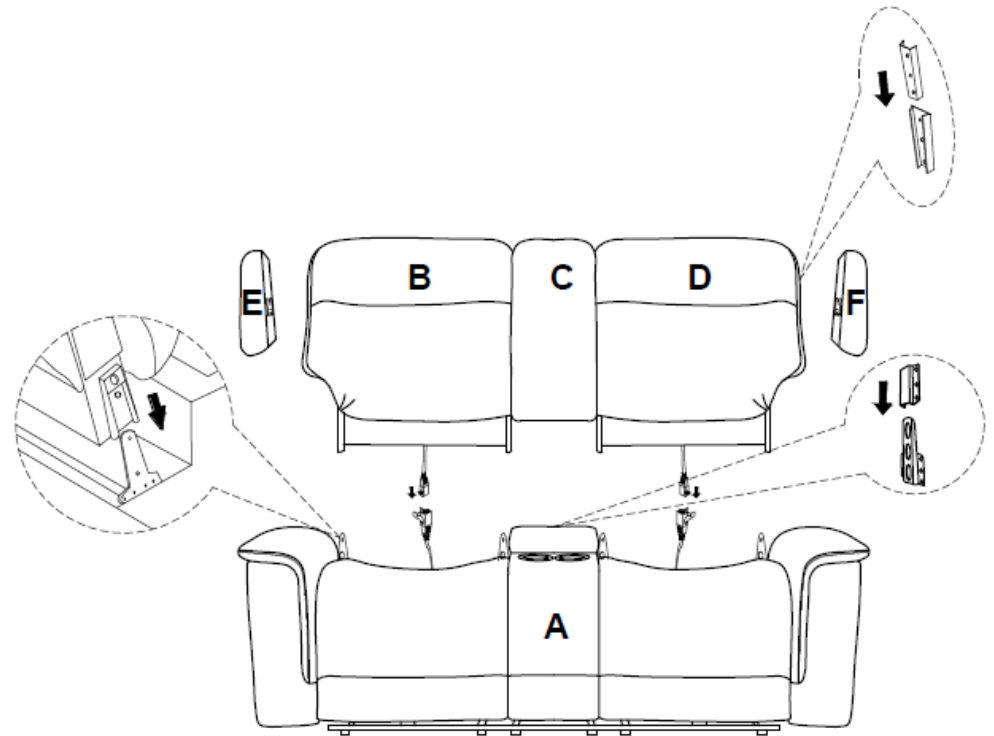


LIST OF PARTS

TOOL REQUIRED: NO TOOL REQUIRED

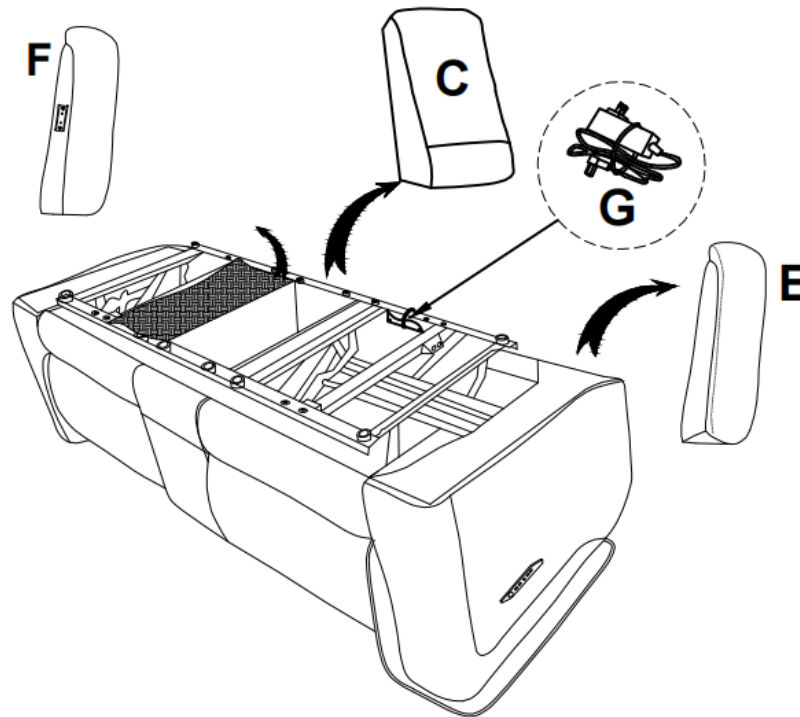
PART LIST

No.	Description	Item	Quantity
A	Seat		1
B	LAF Backrest		1
C	Console Back		1
D	RAF Backrest		1
E	LAF Wing		1
F	RAF Wing		1
G	Wall Plug Transformer		1



ASSEMBLY INSTRUCTION

Attention: The LAF Wing (E) & RAF Wing (F) have been packed and put into the arm frame bottom as picture shown below; the Console Back (C) has been packed and put into the middle of the bottom frame as picture shown below; the Wall Plug Transformer (G) has been packed in a box and tied to one side of the floor rail as picture shown below. Take them out and set aside to be used later in Step 1, 2, 3, 4.



ASSEMBLY INSTRUCTION

STEP 1: Attaching the KD Backs (B, C & D)

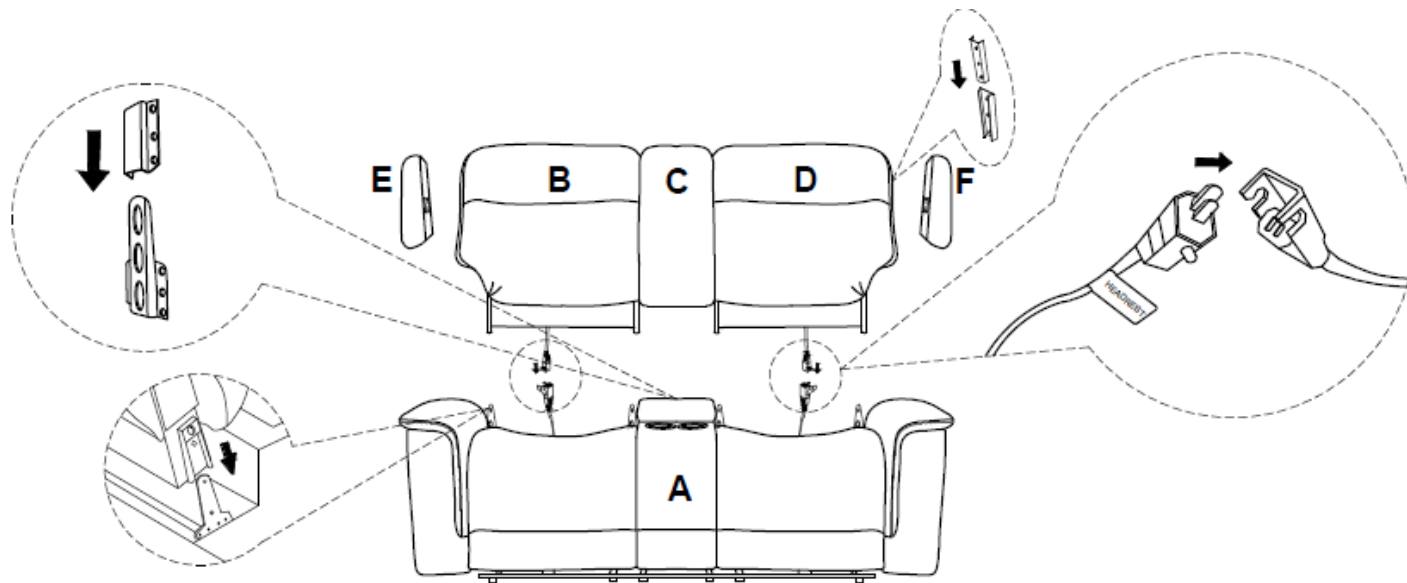
Before attaching the LAF Back (B) & RAF Back (D) to the Seat (A), connect the power headrest lead wires located at the bottom of each back to the matching lead wires found at the rear of each seat as seen below. Be sure to close the clip locks to prevent the connections from coming loose during use.

Then attach the two backs to the seat by positioning the female metal receiver brackets over the male metal posts. Ensure that female metal receiver brackets on each side of the backrest are positioned over the seat metal posts, push down the female brackets over the male posts simultaneously until each side is locked into place with an audible "click" is heard.

Then attach the Console (C) to the Seat (A), by positioning the female metal receiver brackets over the male metal posts. Ensure that female metal receiver brackets on each side of the backrest are positioned over the seat metal posts, push down the female brackets over the male posts simultaneously until each side is locked into place with an audible "click" is heard.

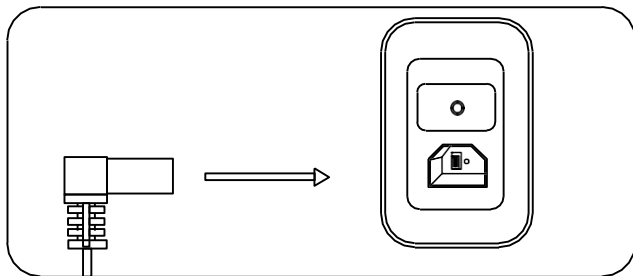
STEP 2: Attaching the KD Wings (E & F)

Insert the LAF Wing & RAF Wing (E&F) separately to the side of the LAF & RAF Backrest (B & D) , make sure they are secured in position.

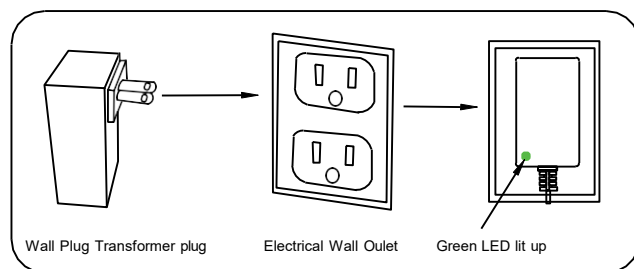


POWER CONNECTIONS

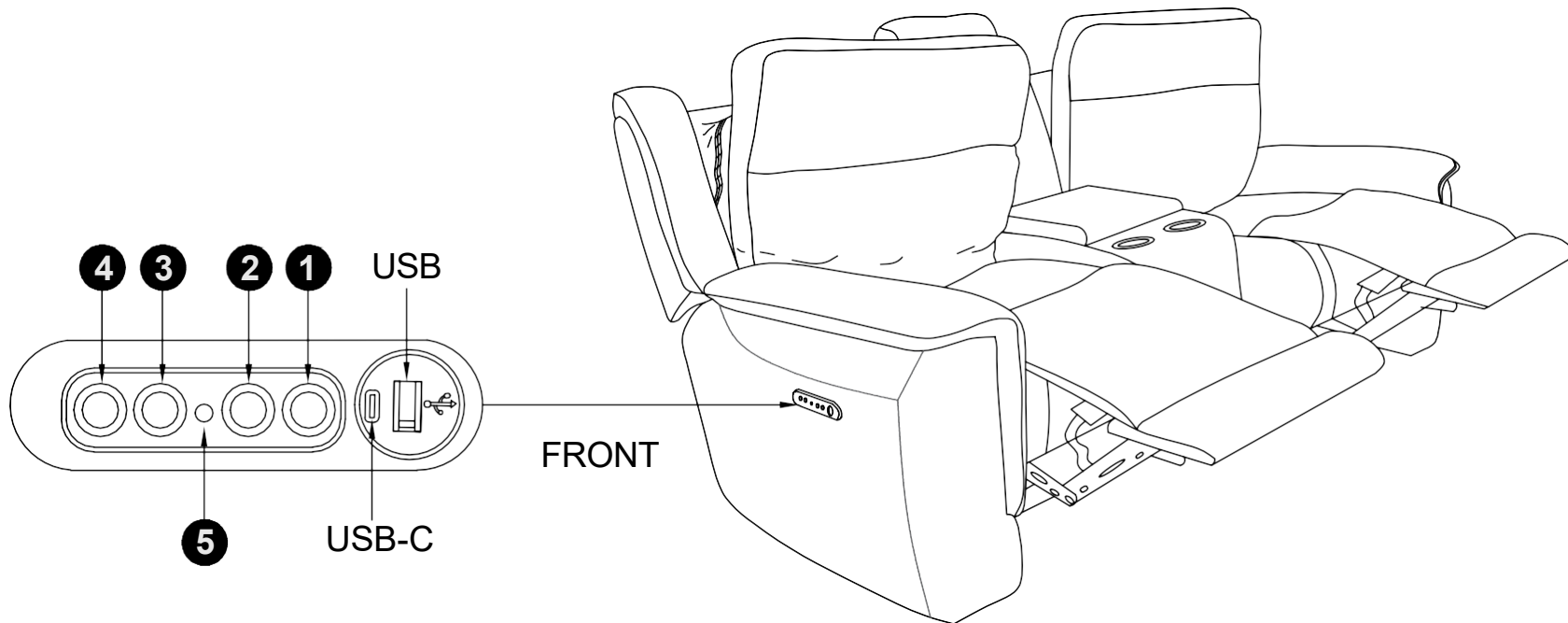
STEP 3: Connect wall plug transformer to the LED DC adapter that located at the back of the recliner.



STEP 4: Connect wall plug transformer from Recliner to electrical wall outlet.



POWER SWITCH

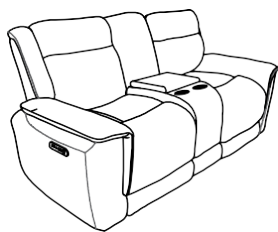


- 1. Press button **1** Mechanism Open.
- 2. Press button **2** Mechanism Close.
- 3. Press button **3** Headrest Open.
- 4. Press button **4** Headrest Close.
- 5. Home button **5** All Close.

WARNINGS

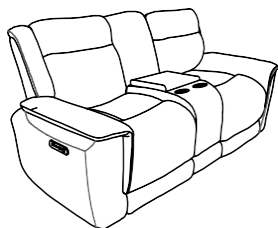
*Keep unit at least 24" from all heat sources.

*Avoid placing unit in areas where unit can be exposed to direct sunlight other powerful light sources, as fading or discoloration may occur.



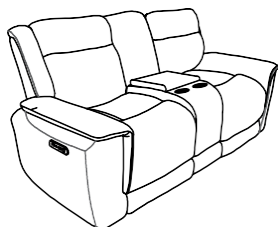
*Do not reach under seat when mechanism is operating or serious injury may occur.

*Reclining mechanism should only be operated while seated properly.

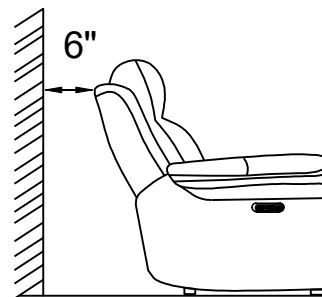


*Do not sit on arms or backrest.

*Do not jump or roughhouse on furniture.



Maintain minimum of 6" space between the furniture backs and wall.



The electrical warning label page/product instruction sheet outlined below should be included in the instruction manual. Two pages should be printed, one in English & one in Spanish.

ENGLISH

IMPORTANT SAFETY INSTRUCTIONS



WARNING

Misuse can result in FIRE or DEATH by ELECTRICAL SHOCK

29 VDC/2.0A

**JIANGSU MULIN INTELLIGENCE ELECTRIC CO.,LTD
ZB-H290020A-C**

Read all instructions before using this furnishing.

DANGER – To reduce the risk of electric shock:

1. Always unplug this furnishing from the electrical outlet before cleaning or servicing.

WARNING – To reduce the risk of burns, fire, electric shock, or injury to persons:

1. Unplug from outlet before putting on or taking off parts.
2. Never operate this furnishing if it has a damaged electrical cord or plug, if it is not working properly, or if the electrical cord or plug has been damaged or dropped into water. Stop using this furnishing and call a service center for examination and repair.
3. Keep the electrical cord and plug away from heated surfaces and other heat sources.
4. To disconnect, turn all controls to the off position, then remove plug from outlet.
5. When operating, ensure that electrical cord is not under the base, legs, or motion mechanism to avoid damage to electrical cord or plug.
6. Do not strain or stretch electrical cord.
7. Do not use extension cords or power strips.
8. Keep out of reach of children. This is not a toy.
9. Plug directly into a compatible electrical socket.
10. Do not modify the plug or use any adapters.

Page "x"

SPANISH

INSTRUCCIONES DE SEGURIDAD IMPORANTES



WARNING

El mal uso puede provocar INCENDIO o MUERTE por DESCARGA ELÉCTRICA

29 VDC/2.0A

**JIANGSU MULIN INTELLIGENCE ELECTRIC CO.,LTD
ZB-H290020A-C**

Leer todas las instrucciones antes de usar este mobiliario.

PELIGRO – Para reducir el riesgo de descarga eléctrica:

1. Siempre desenchufe este accesorio de la toma de corriente eléctrica antes de limpiarlo o repararlo.

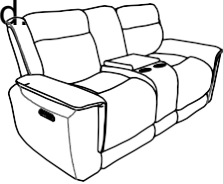
ADVERTENCIA: para reducir el riesgo de quemaduras, incendios, descargas eléctricas o lesiones a personas:

1. Desenchufe del tomacorriente antes de colocar o quitar partes.
2. Nunca opere este accesorio si tiene un cable o enchufe eléctrico dañado, si no funciona correctamente, o si el cable o el enchufe eléctrico se ha dañado o se ha caído al agua. Deje de usar este equipamiento y llame a un centro de servicio para que lo examinen y lo reparen.
3. Mantenga el cable eléctrico y el enchufe lejos de superficies calientes y otras fuentes de calor.
4. Para desconectar, gire todos los controles a la posición de apagado, luego retire el enchufe del tomacorriente.
5. Al operar, asegúrese de que el cable eléctrico no esté debajo de la base, las patas o el mecanismo de movimiento para evitar dañar el cable eléctrico o el enchufe.
6. No fuerce ni estire el cable eléctrico.
7. No utilizar cables de extensión o tomas de corriente.
8. Mantener fuera del alcance de los niños. Esto no es un juguete.
9. Enchufar directamente a una toma de corriente compatible.
10. No modifique el enchufe ni utilice adaptadores.

Page "x"

Not To Scale

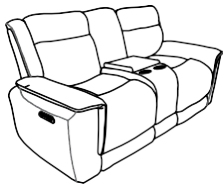
*If unit must be moved, do not drag. Unit must be lifted in order to be moved.



*Do not continuously operate mechanism for more than one minute or unit may go into protection mode by shutting down to prevent overheating.

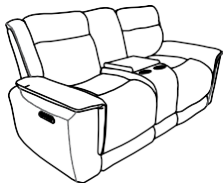
*Unplug unit from power source prior to cleaning mechanism.

*Do not allow electrical components to come into contact with any liquids.



CARE AND CLEANING

*Upholstered furniture is packaged tightly to protect it during transit. This packaging can sometimes cause creases or misshaped cushions when the furniture comes out of the packaging. These issues will correct themselves over time as the fibers of the cushions are exposed to air. However, shaping the cushions with your hands can alleviate the creases and compressed fibers more quickly.



*Dust often and use a vacuum cleaner to remove debris from seams and crevasses.

*Use a soft damp cloth to gently clean soiled areas and wipe clean. Do not rub.

*Do not use household cleaners or solvents. Such cleaners may cause damage and/or discoloration.

*Do regularly use dedicated leather care product onto the leather furniture to prevent built up of body oils.

TROUBLESHOOTING

PROBLEM	SOLUTION
Not Reclining	Ensure that wall power outlet is operational Step 3, 4
USB not working	Check all the connections Step 1, 3, 4
Backrests gaps	Ensure the backrest is properly clipped into the male posts located on seat mechanism (Step 1). Check that brackets are not loose, positioned improperly or bent.