



Manufactured for Rooms To Go

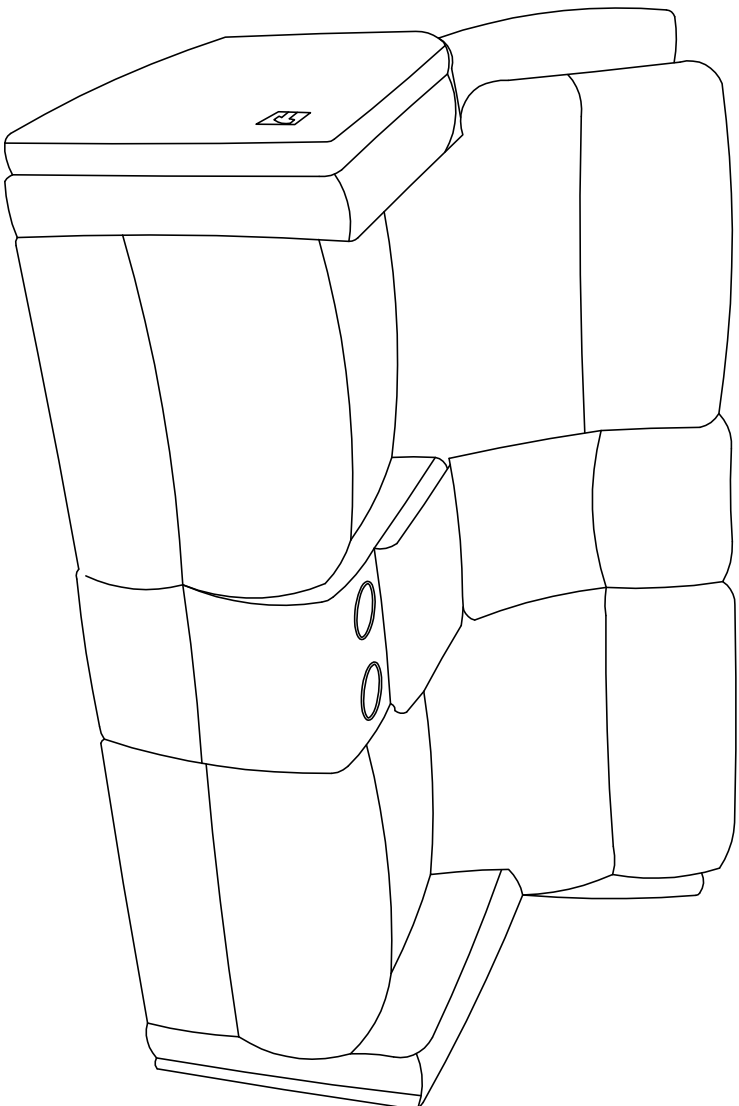
ASSEMBLY INSTRUCTION

VENDOR CODE: CAVS

STOCK#: 9027-2 RECL LOVESEAT

SKU#: 11290272

SKU#: 11290284





Manufactured for Rooms To Go

LIST OF PART

VENDOR CODE: CAVS  
STOCK#: 9027-2 RECL LOVESEAT

SKU#: 11290272  
SKU#: 11290284

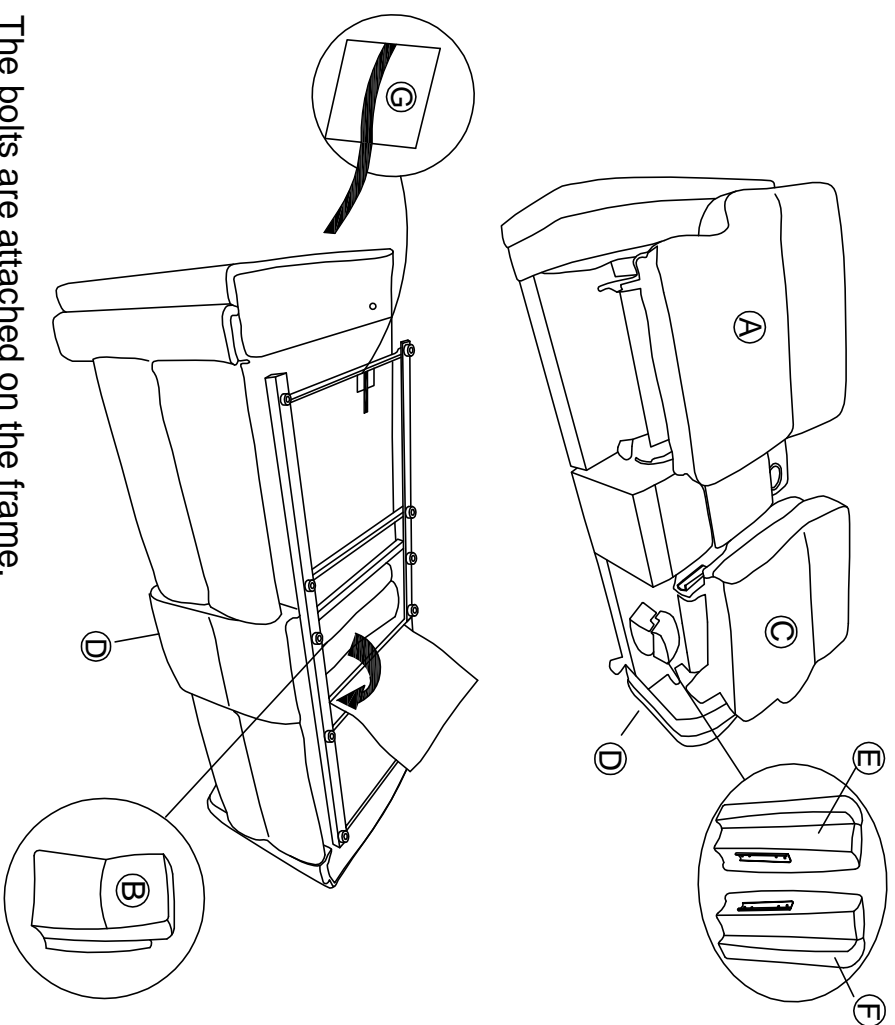
TOOLS REQUIRED: NO

PART LIST

NO	Description	Sketch	Quantity
A	LEFT BACK		1
B	CONSOLE BACK		1
C	RIGHT BACK		1
D	SEAT FRAME		1
E	LEFT EAR		1
F	RIGHT EAR		1
G	BOLTS		2

Location of KD parts

Take out left / right ear from the back side .



The bolts are attached on the frame.  
Take out console back (B) from seat frame back (D).



Manufactured for Rooms To Go

LIST OF PART

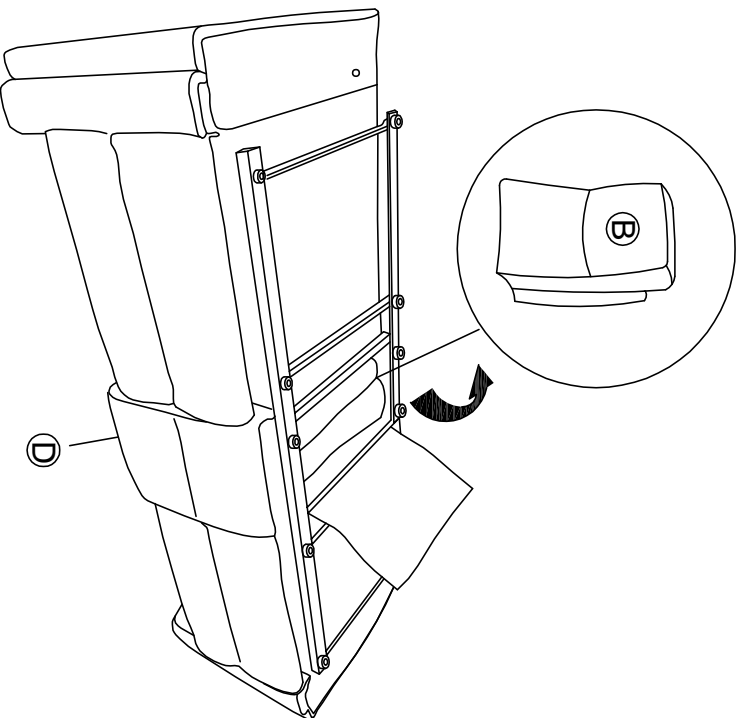
VENDOR CODE: CAVS

STOCK#: 9027-2 RECL LOVESEAT

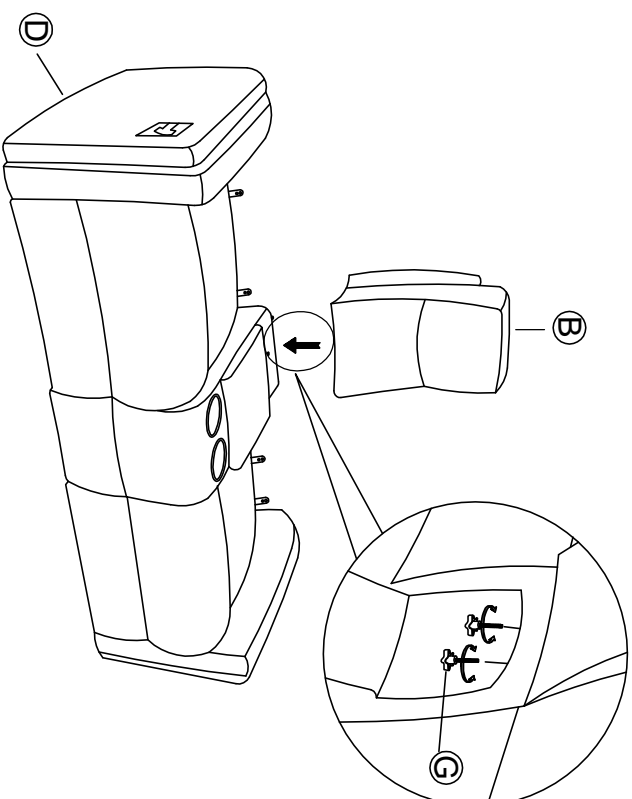
SKU#: 11290272

SKU#: 11290284

STEP 1: Take out console back (B) from seat frame back (D).



STEP 2: Attach console back (B) to seat frame (D), screw the bolts (G).





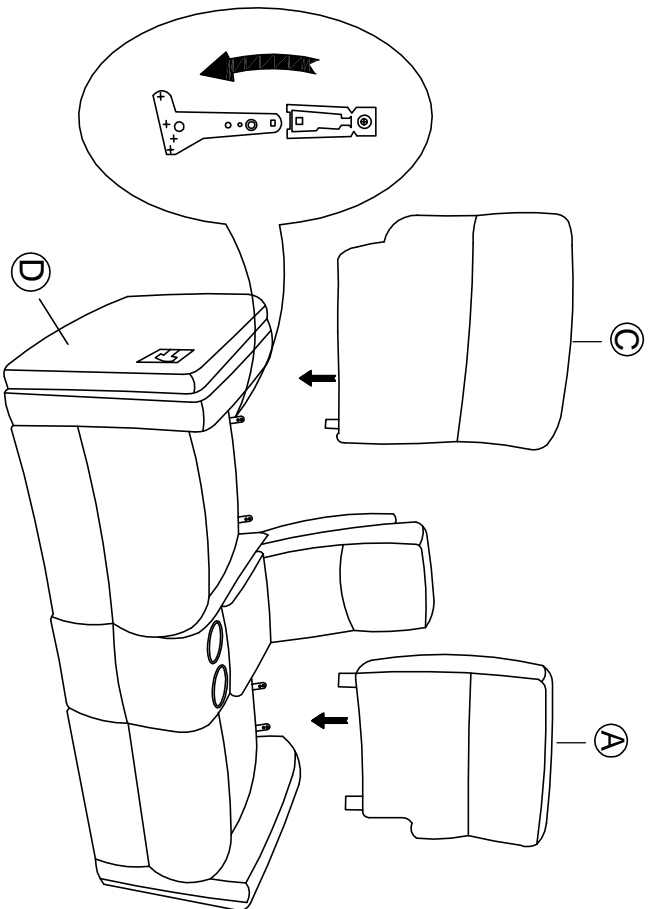
Manufactured for Rooms To Go

# ASSEMBLY INSTRUCTION

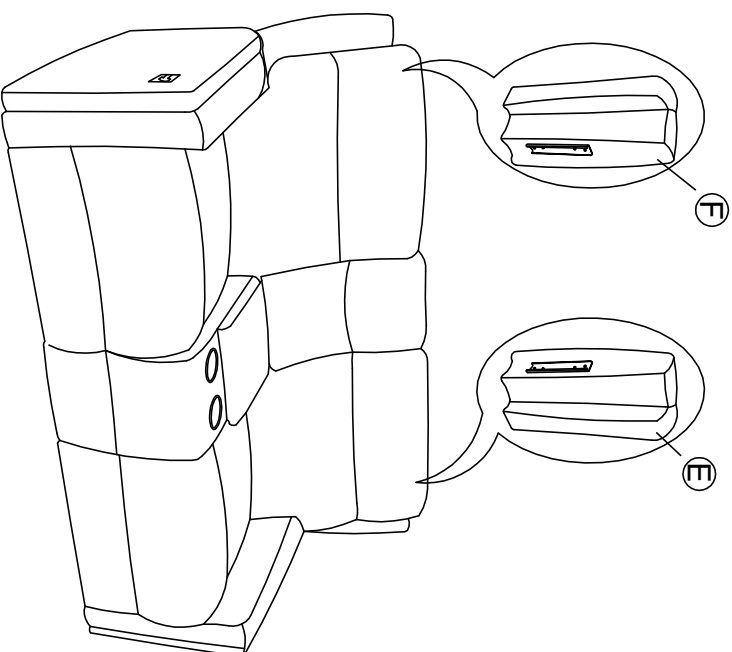
VENDOR CODE: CAVS  
STOCK#: 9027-2 RECL LOVESEAT

SKU#: 11290272  
SKU#: 11290284

STEP 3: Insert left back (A) and right back (C) to seat frame (D).



STEP 4: Attach left ear (E) and right (F) to to back (A&C).





Manufactured for Rooms To Go

## ASSEMBLY INSTRUCTION

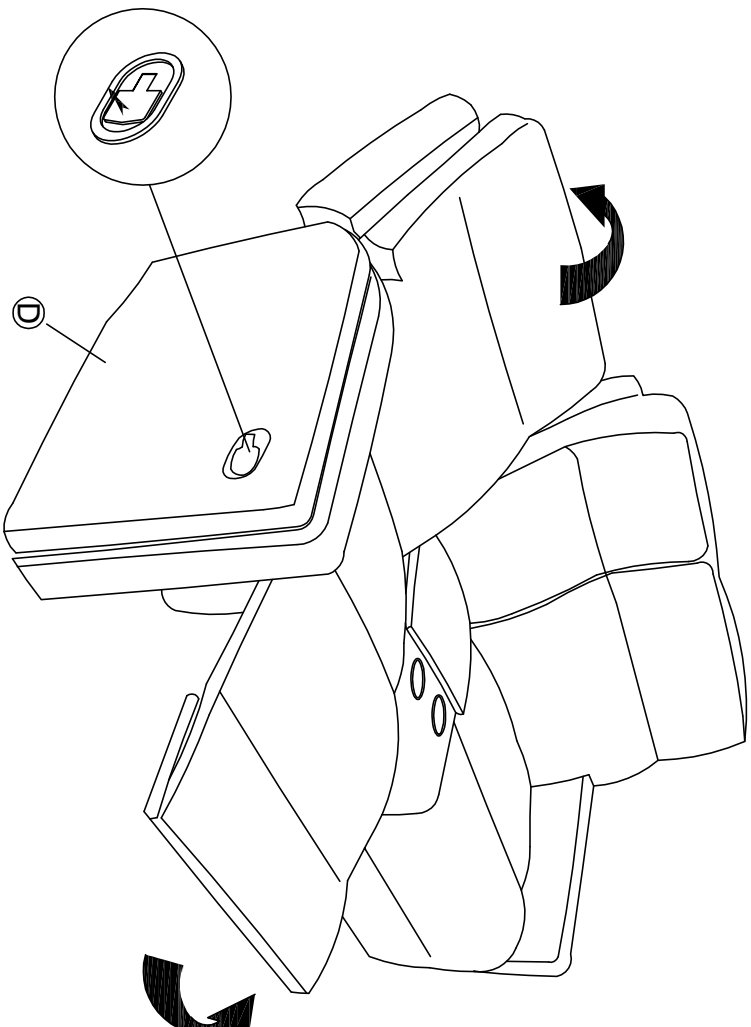
VENDOR CODE: CAVS

STOCK#: 9027-2 RECL LOVESEAT

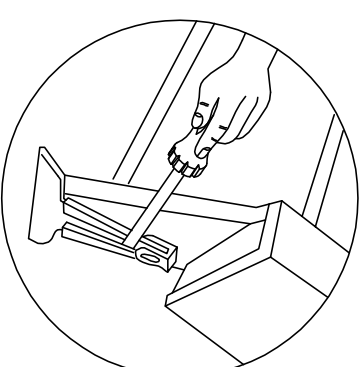
SKU#: 11290272

SKU#: 11290284

STEP 5: Full the handle to open the reclining loveseat



To remove the inside backs, use a screwdriver pressing outward on the black tab in the metal sleeve on both side of the inside back and lift the inside back from the base of the furniture.



# ASSEMBLY INSTRUCTION



Manufactured for Rooms To Go

VENDOR CODE: CAVS  
STOCK#: 9027-2 RECL LOVESEAT

SKU#: 11290272  
SKU#: 11290284

## CARE AND CLEANING

\*Upholstered furniture is packaged tightly to protect it during transit. This packaging can sometimes cause creases or misshaped cushions when the furniture comes out of the packaging. These issues will correct themselves over time as the fibers of the cushions are exposed to air. However, shaping the cushions with your hands can alleviate the creases and compressed fibers more quickly.



\*Dust often and use a vacuum cleaner to remove debris from seams and crevasses.

\*Use a soft damp cloth to gently clean soiled areas and wipe clean. Do not rub.

\*Do not use household cleaners or solvents. Such cleaners may cause damage and/or discoloration.

\*Do regularly use dedicated leather care product onto the leather furniture to prevent built up of body oils.



\*Avoid placing unit in areas where unit can be exposed to direct sunlight other powerful light sources

\*Keep unit at least 24" from all heat sources.  
As fading or discoloration may occur.



\*Do not reach under seat when mechanism is operating or serious injury may occur.  
\*Reclining mechanism should only be operated while seated properly.

Do not sit on arms or backrest  
Do not jump or roughhouse on furniture



\*If unit must be moved, do not drag. Unit must be lifted in order to be moved.



Do not continuously operate mechanism for more than one minute or unit may go into protection mode by shutting down to prevent overheating.

\*Unplug unit from power source prior to cleaning mechanism.

\*Do not allow electrical components to come into contact with any liquids.