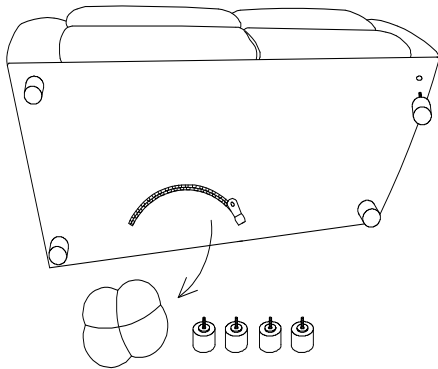




## Assembly Instructions

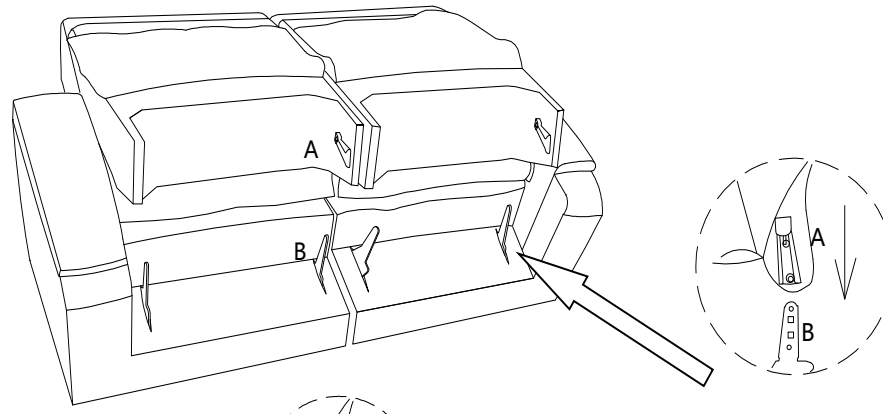
SYNE K2392-10 Stationary Loveseat

SKU# 11323920/ 11323944



### Step 1

The four plastic legs are located inside the black dust cover under loveseat. Unzip the dust cover and remove the legs. Attach each leg to the corresponding pre-drilled holes, turning by hand in clockwise direction until legs are tight.



### Step 2

Slide the metal receivers over the metal posts to connect the seat backs. Press both sides of the back firmly downward until the back is locked in place. Repeat for each seat.