

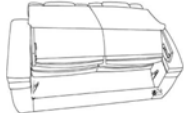



Assembly Instructions

SYNE K5021-10 Stationary Loveseat

SKU: 11350232/11350220/11350218

Parts and Hardware List

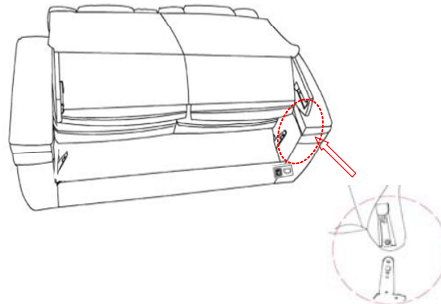
NO.	Description	Image	Qty
A	Body		1
B	power cord into DC		1

Note: Make sure all PLUGS are connected on the product before plugging power cord into power outlet. If not damage can occur.

The USB ports (where applicable) are designed with working voltage of 5V, and can NOT be used to supply power for laptop computers (neither PC or Mac). Plugging a laptop computer to the USB port may end up damaging either the computer or the USB port due to unmatched working voltage.

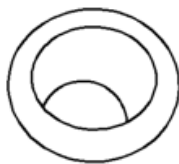
STEP 1.

Slide the metal receiver over the metal post. Press both sides of back firmly downward until locked in place.

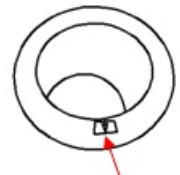
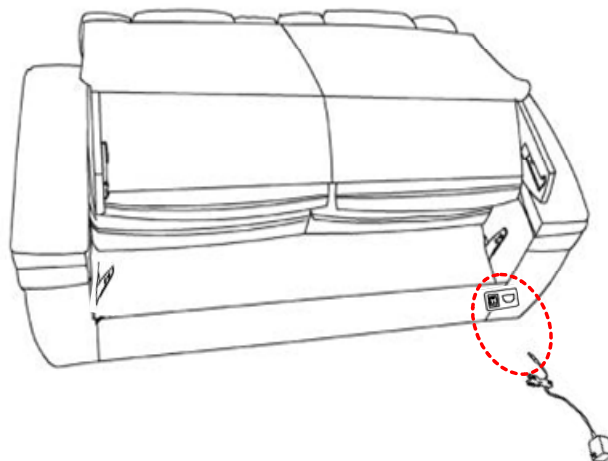


STEP 2.

Plug the wall power cord into DC port in the rear of the seat, then plug another side into power outlet to operate.



Raffel cup holder (Black slave)



Base lights, cup holder ON/ OFF

Raffel cup holder (Black 1 button)