

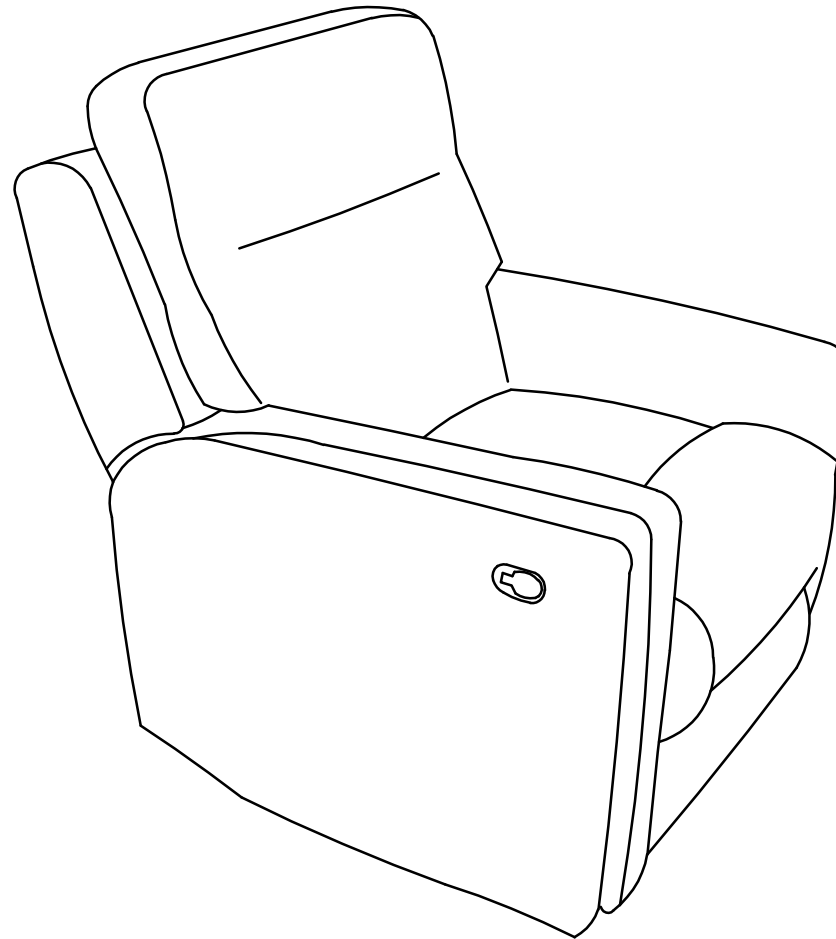
ASSEMBLY INSTRUCTION



VENDOR CODE: CAVS
STOCK#: 9027-1 RECLINER

SKU#: 11490276
SKU#: 11490288

Manufactured for Rooms To Go




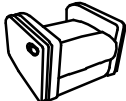




LIST OF PART

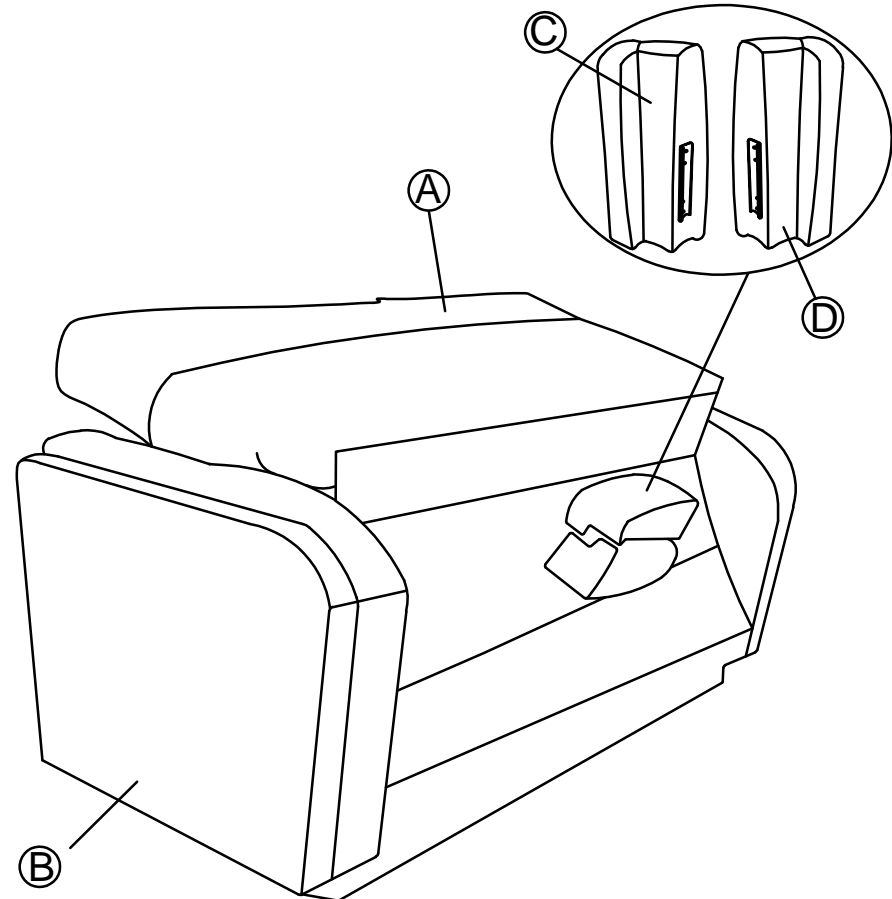
VENDOR CODE: CAVS
STOCK#: 9027-1 RECLINER

SKU#: 11490276
SKU#: 11490288

Manufactured for Rooms To Go

TOOLS REQUIRED: NO			
PART LIST			
NO	Description	Sketch	Quantity
A	BACK		1
B	SEAT FRAME		1
C	LEFT EAR		1
D	RIGHT EAR		1

Location of KD parts



Take out left / right ear from the back side.



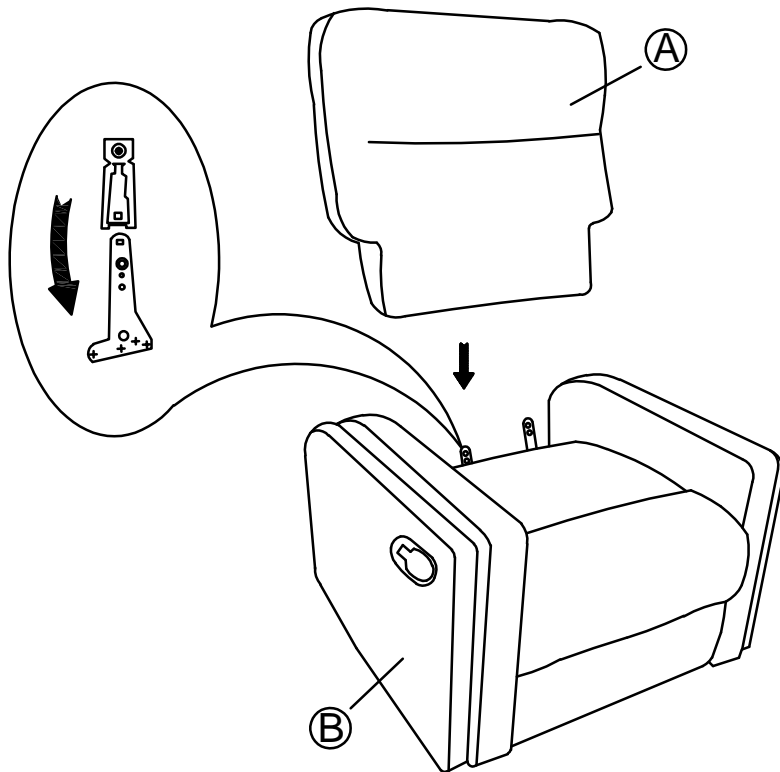
ASSEMBLY INSTRUCTION

VENDOR CODE: CAVS
STOCK#: 9027-1 RECLINER

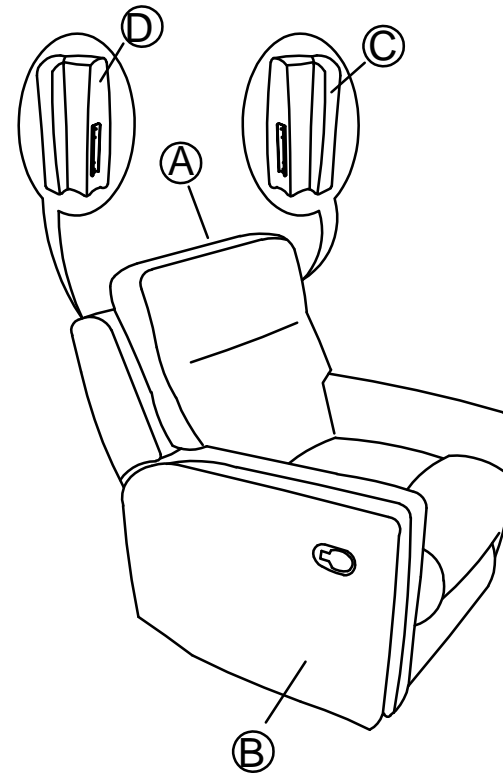
SKU#: 11490276
SKU#: 11490288

Manufactured for Rooms To Go

STEP 1: Insert back (A) into seat frame (B).



STEP 2: Attach left ear (C) and right ear (D) to back (A).





Manufactured for Rooms To Go

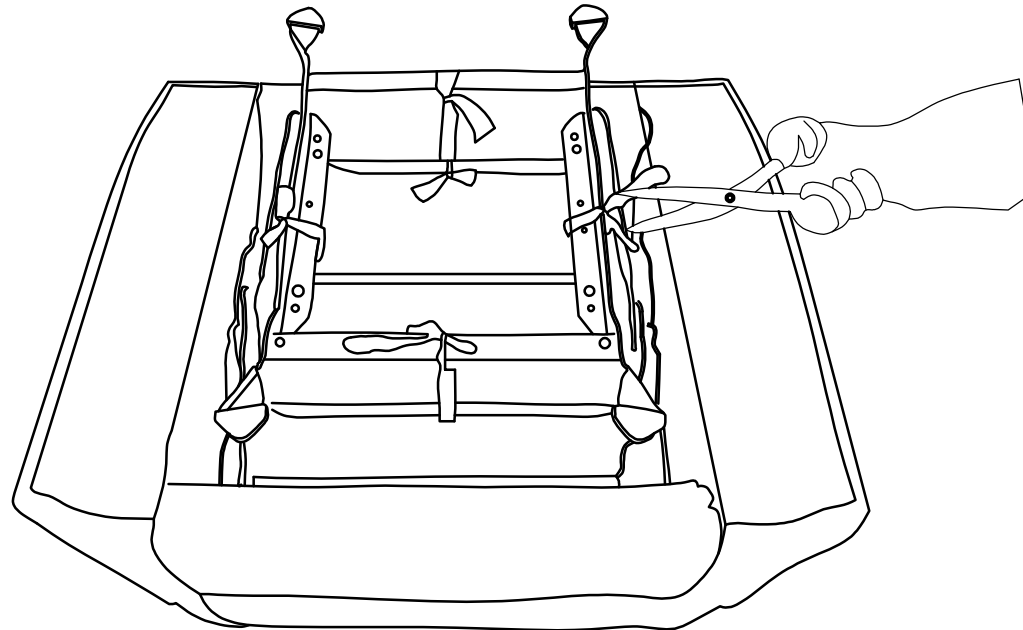
ASSEMBLY INSTRUCTION

VENDOR CODE: CAVS
STOCK#: 9027-1 RECLINER

SKU#: 11490276
SKU#: 11490288

WARNING

- Before using this product, the fabric fastener, which locks the mechanism, must be cut and removed.
(Scissors are not included in the parts list.)
- Antes de utilizar este producto, corten y quiten el zuncho en tissu que bloquea el mecanismo.
(Les ciseaux ne sont pas fournis dans la liste des pièces.)
- Prima di usare questo prodotto, la fascetta di tela che blocca il meccanismo, deve essere tagliata erimossa.
(Las tijeras no se incluyen en la lista de piezas.)



ASSEMBLY INSTRUCTION

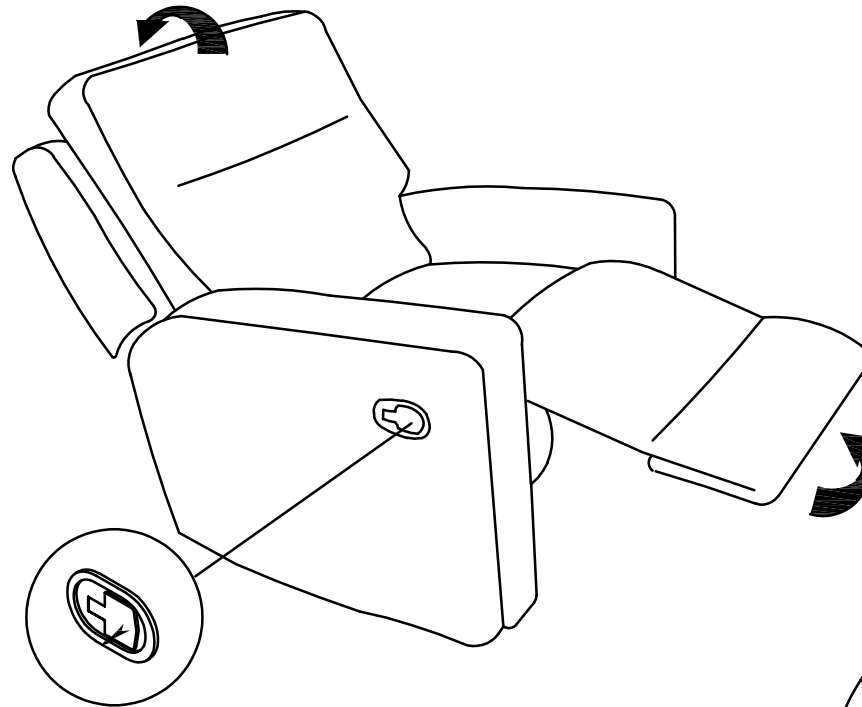


VENDOR CODE: CAVS
STOCK#: 9027-1 RECLINER

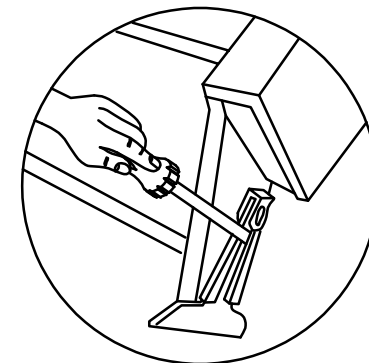
SKU#: 11490276
SKU#: 11490288

Manufactured for Rooms To Go

STEP 3: Pull the handle to open the recliner.



To remove the inside backs, use a screwdriver pressing outward on the black tab in the metal sleeve on both side of the inside back and lift the inside back from the base of the furniture.





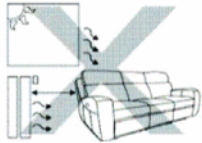
ASSEMBLY INSTRUCTION

VENDOR CODE: CAVS
STOCK#: 9027-1 RECLINER

SKU#: 11490276
SKU#: 11490288

Manufactured for Rooms To Go

- *Avoid placing unit in areas where unit can be exposed to direct sunlight other powerful light sources
 - *Keep unit at least 24" from all heat sources.
- As fading or discoloration may occur.



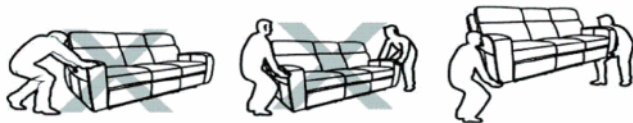
- *Do not reach under seat when mechanism is operating or serious injury may occur.
- *Reclining mechanism should only be operated while seated properly.



Do not sit on arms or backrest
Do not jump or roughhouse on furniture



*If unit must be moved, do not drag. Unit must be lifted in order to be moved.



Do not continuously operate mechanism for more than one minute or unit may go into protection mode by shutting down to prevent overheating.

- *Unplug unit from power source prior to cleaning mechanism.
- *Do not allow electrical components to come into contact with any liquids.

CARE AND CLEANING

*Upholstered furniture is packaged tightly to protect it during transit. This packaging can sometimes cause creases or misshaped cushions when the furniture comes out of the packaging. These issues will correct themselves over time as the fibers of the cushions are exposed to air. However, shaping the cushions with your hands can alleviate the creases and compressed fibers more quickly.



- *Dust often and use a vacuum cleaner to remove debris from seams and crevasses.
- *Use a soft damp cloth to gently clean soiled areas and wipe clean. Do not rub.
- *Do not use household cleaners or solvents. Such cleaners may cause damage and/or discoloration.
- *Do regularly use dedicated leather care product onto the leather furniture to prevent built up of body oils.