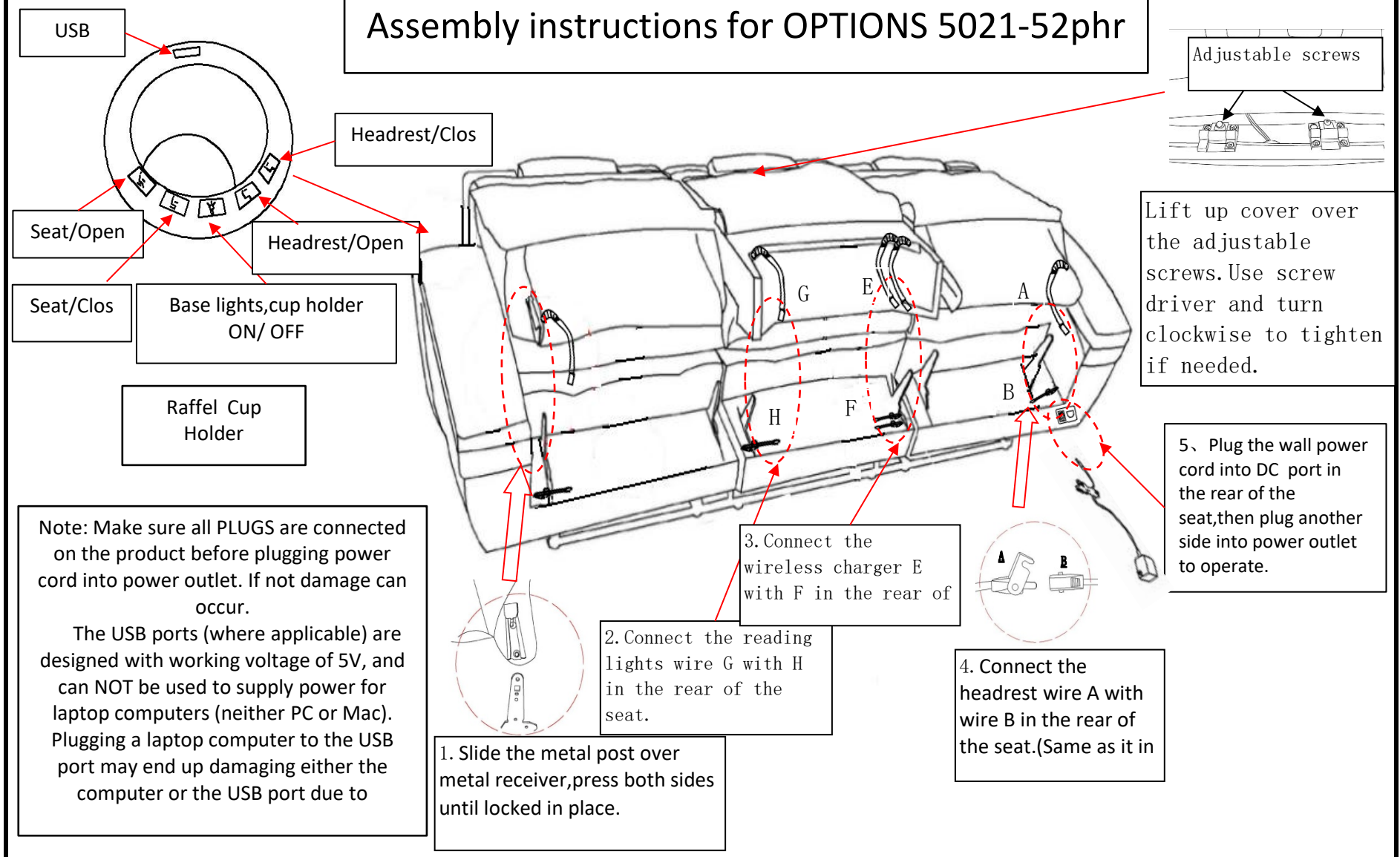
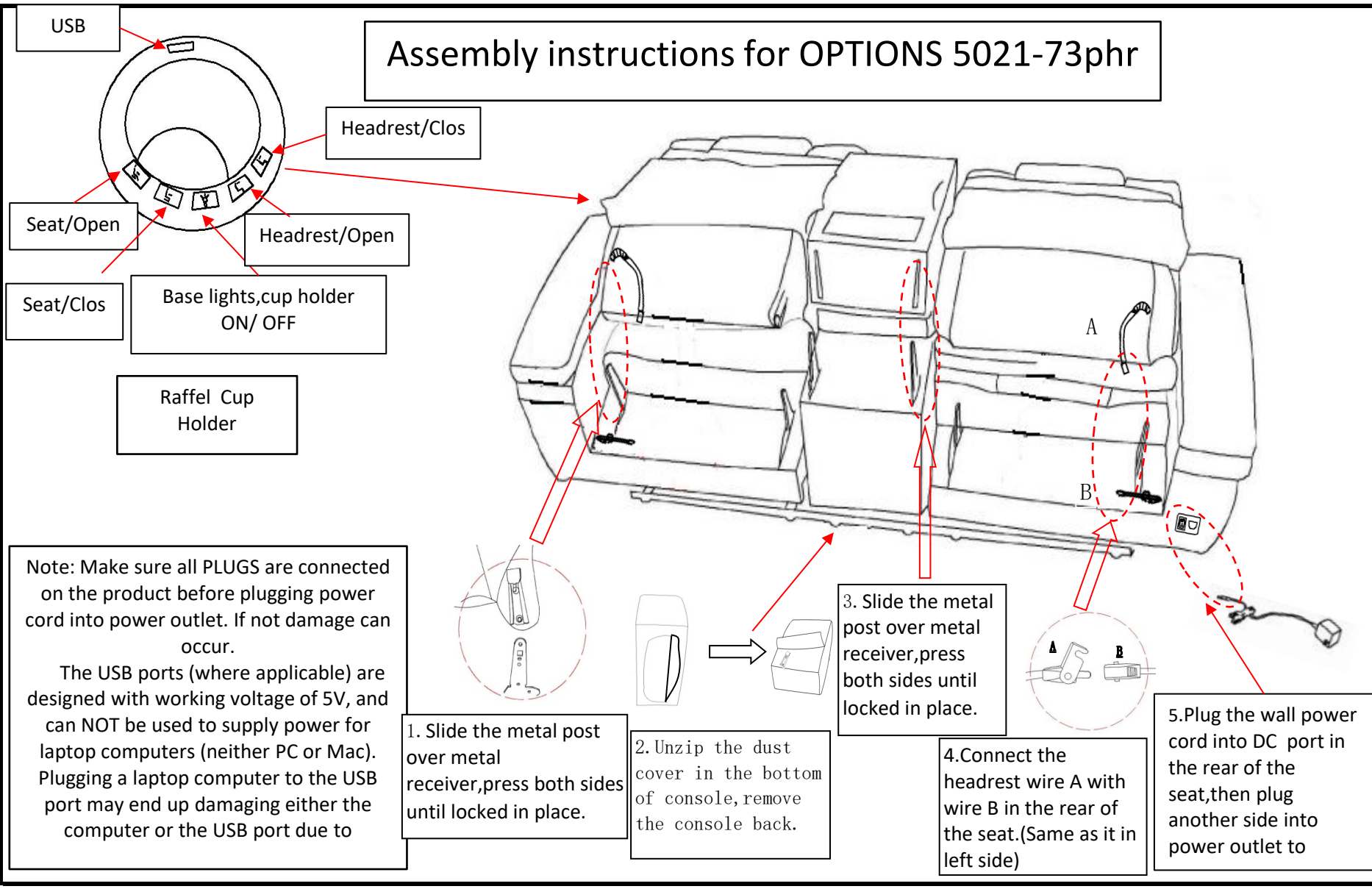


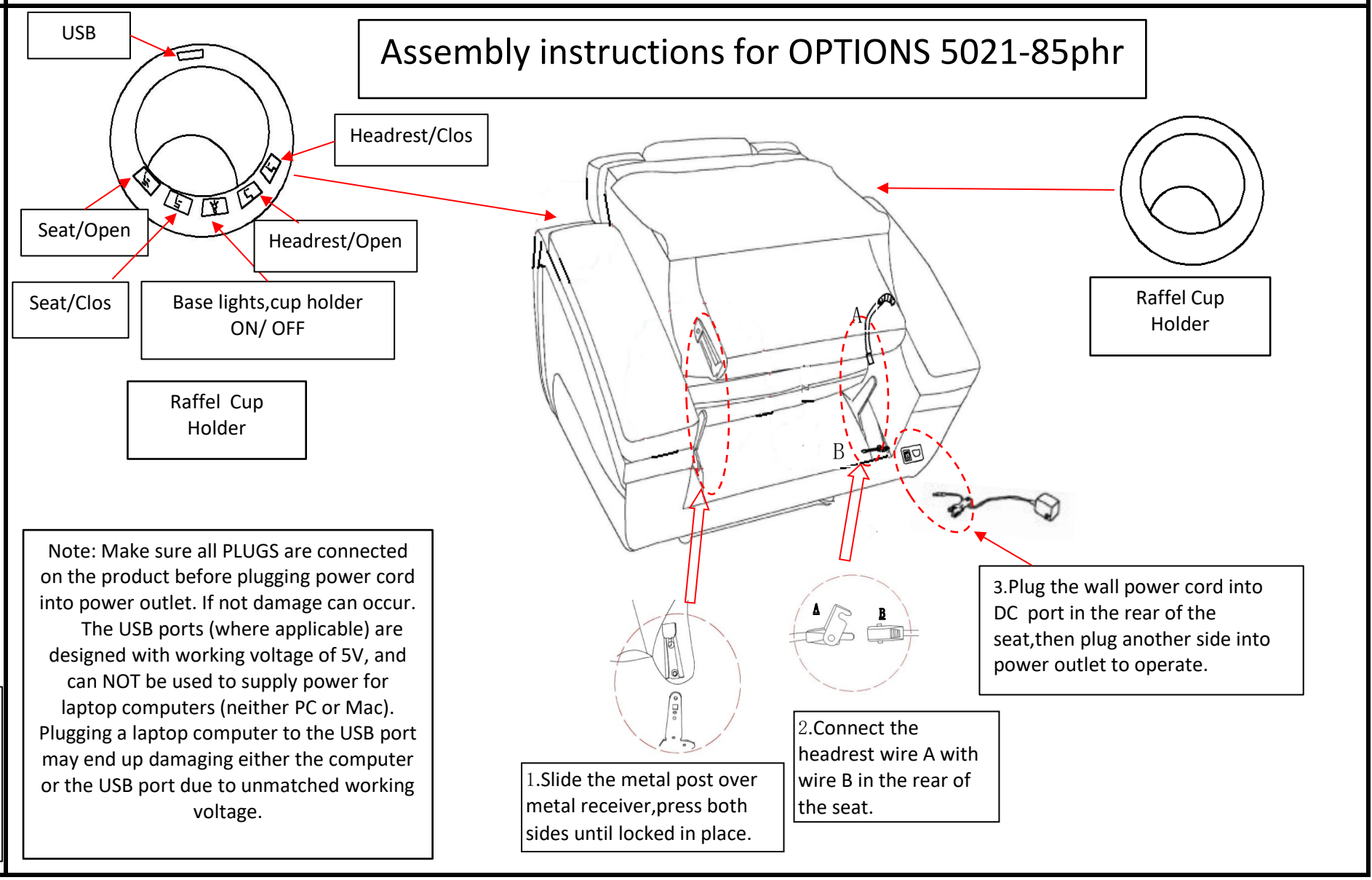
Assembly instructions for OPTIONS 5021-52phr



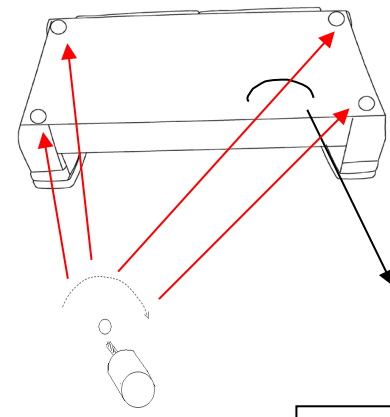
Assembly instructions for OPTIONS 5021-73phr



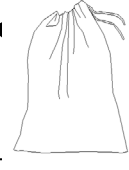
Assembly instructions for OPTIONS 5021-85phr



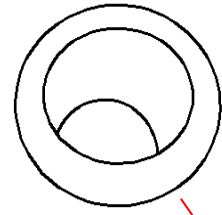
Assembly instructions for OPTIONS 5021-10



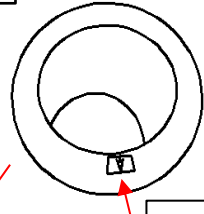
2. Attach the legs in clockwise.



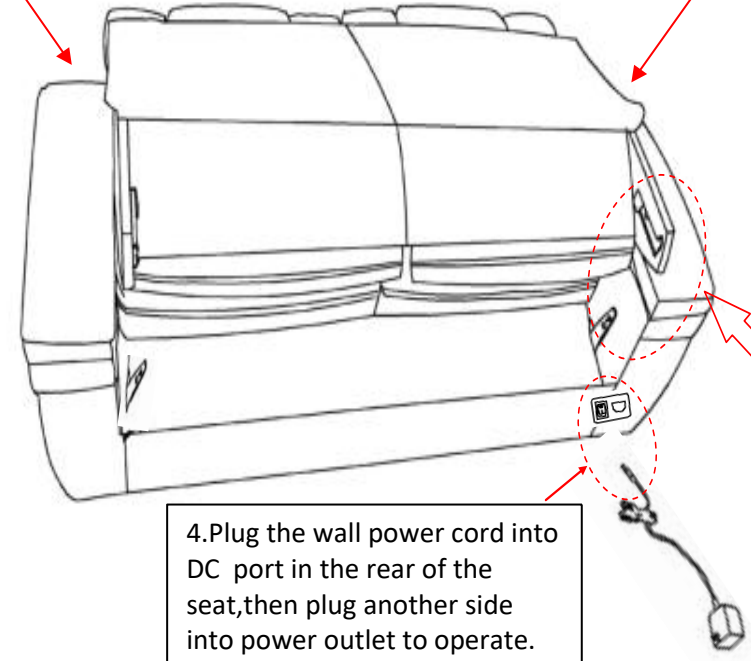
1. Unzip the dustcover underneath, remove the legs from the red bag.



Raffer cup holder

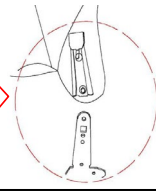


Base lights, cup holder ON/ OFF



Raffer cup holder

4. Plug the wall power cord into DC port in the rear of the seat, then plug another side into power outlet to operate.



3. Slide the metal receiver over the metal post. Press both sides of back firmly downward until locked in place.

Note: Make sure all PLUGS are connected on the product before plugging power cord into power outlet. If not damage can occur.

The USB ports (where applicable) are designed with working voltage of 5V, and can NOT be used to supply power for laptop computers (neither PC or Mac). Plugging a laptop computer to the USB port may end up damaging either the computer or the USB port due to unmatched working voltage.