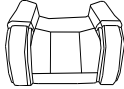




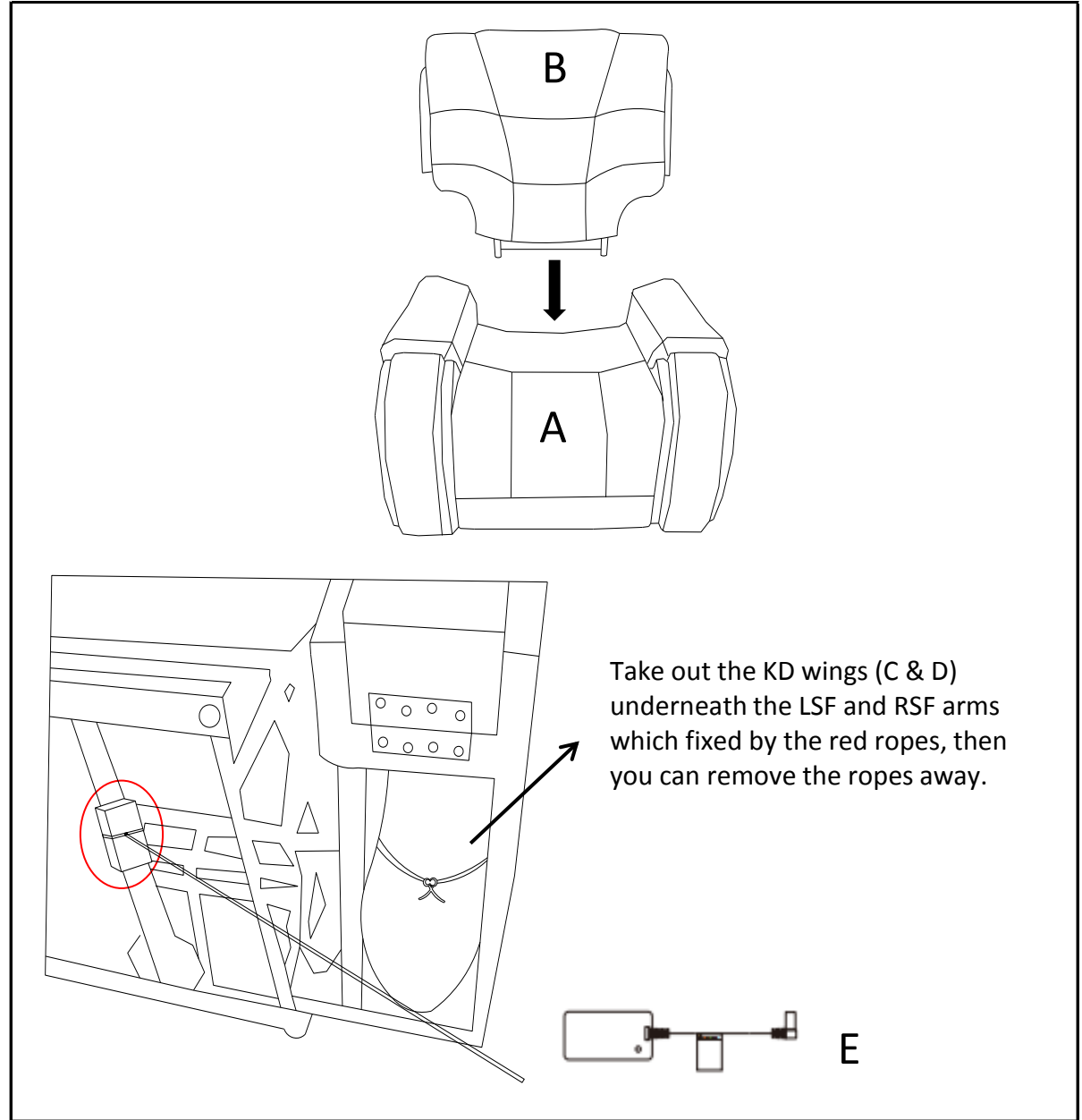


# LIST OF PARTS

TOOLS REQUIRED: NO TOOLS REQUIRES

## PART LIST

NO	Description	Item	Quantity
A	Seat		1
B	Backrest		1
C	LSF KD Wing		1
D	RSF KD wing		1
E	Wall Plug Transformer		1



# ASSEMBLY INSTRUCTIONS

ENGLISH

## IMPORTANT SAFETY INSTRUCTIONS

### **WARNING**

Misuse can result in **FIRE** or **DEATH** by **ELECTRICAL SHOCK**

29VDC/2A  
JIANGSU MULIN INTELLIGENCE ELECTRIC CO.,LTD.  
ZB-H290020A-C

**Read all instructions before using this furnishing.**

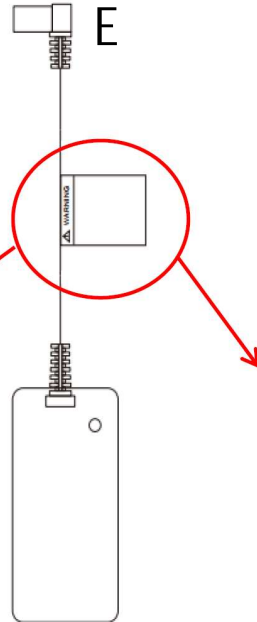
**DANGER – To reduce the risk of electric shock:**

- Always unplug this furnishing from the electrical outlet before cleaning or servicing.

**WARNING – To reduce the risk of burns, fire, electric shock, or injury to persons:**

- Unplug from outlet before putting on or taking off parts.
- Never operate this furnishing if it has a damaged electrical cord or plug, if it is not working properly, or if the electrical cord or plug has been damaged or dropped into water. Stop using this furnishing and call a service center for examination and repair.
- Keep the electrical cord and plug away from heat sources.
- To disconnect, turn all controls to the off position, then remove plug from outlet.
- When operating, ensure that electrical cord is not under the base, legs, or motion mechanism to avoid damage to electrical cord or plug.
- Do not strain or stretch electrical cord.
- Do not use extension cords or power strips.
- Keep out of reach of children. This is not a toy.
- Plug directly into a compatible electrical socket.
- Do not modify the plug or use any adapters.

Page "x"



SPANISH

## INSTRUCCIONES DE SEGURIDAD IMPORANTES

### **WARNING**

El mal uso puede provocar **INCENDIO** o **MUERTE** por **DESCARGA ELÉCTRICA**

29VDC/2A  
JIANGSU MULIN INTELLIGENCE ELECTRIC CO.,LTD.  
ZB-H290020A-C

**Leer todas las instrucciones antes de usar este mobiliario.**

**PELIGRO – Para reducir el riesgo de descarga eléctrica:**

- Siempre desenchufe este accesorio de la toma de corriente eléctrica antes de limpiarlo o repararlo.

**ADVERTENCIA: para reducir el riesgo de quemaduras, incendios, descargas eléctricas o lesiones a personas:**

- Desenchufe del tomacorriente antes de colocar o quitar partes.
- Nunca opere este accesorio si tiene un cable o enchufe eléctrico dañado, si no funciona correctamente, o si el cable o el enchufe eléctrico se ha dañado o se ha caído al agua. Deje de usar este equipamiento y llame a un centro de servicio para que lo examinen y lo reparen.
- Mantenga el cable eléctrico y el enchufe lejos de superficies calientes y otras fuentes de calor.
- Para desconectar, gire todos los controles a la posición de apagado, luego retire el enchufe del tomacorriente.
- Al operar, asegúrese de que el cable eléctrico no esté debajo de la base, las patas o el mecanismo de movimiento para evitar dañar el cable eléctrico o el enchufe.
- No fuerce ni estire el cable eléctrico.
- No utilizar cables de extensión o tomas de corriente.
- Mantener fuera del alcance de los niños. Esto no es un juguete.
- Enchúfelo directamente a una toma de corriente compatible.
- No modifique el enchufe ni utilice adaptadores.

Page "x"

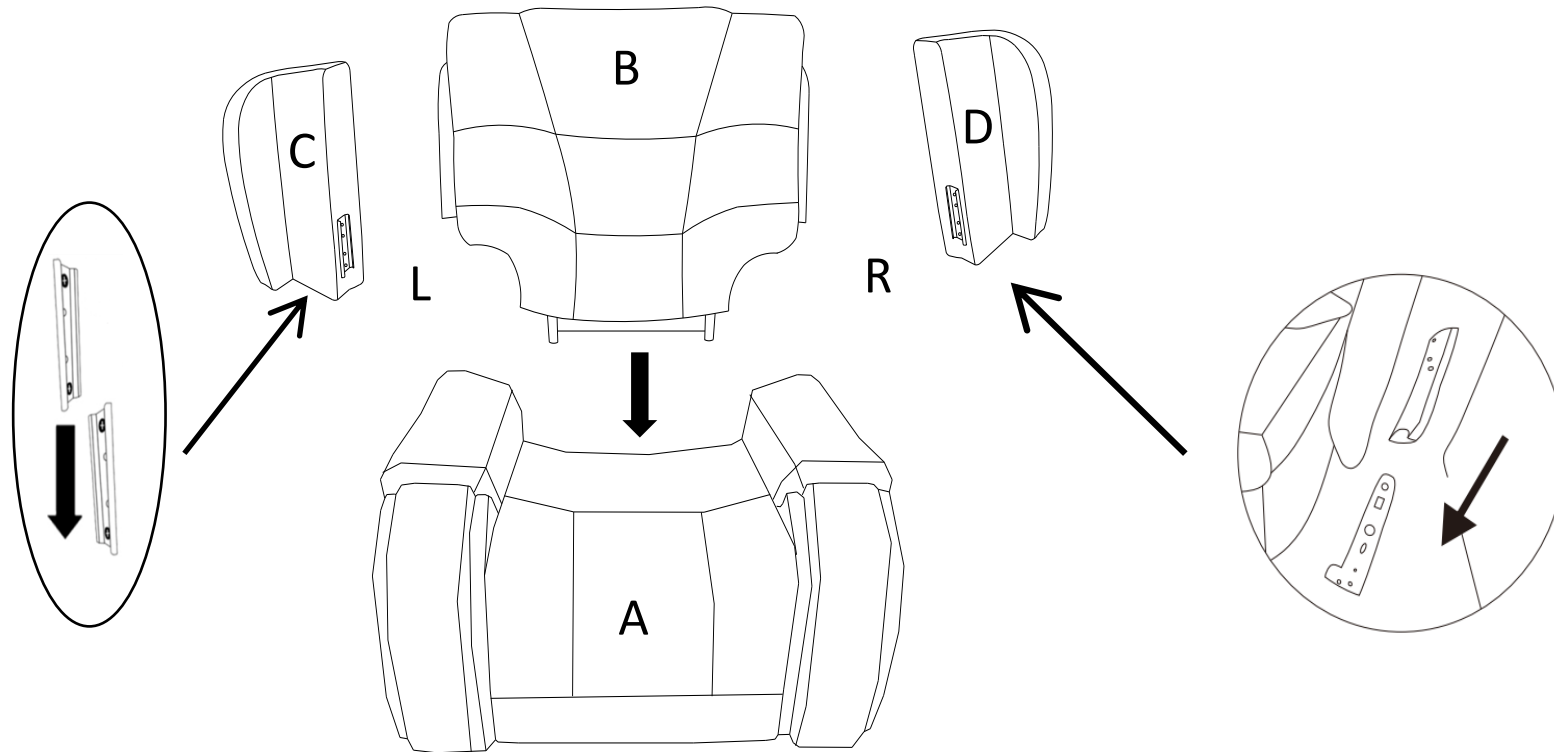
# PART ASSEMBLY

## STEP 1

Install the Backrest(B) into the Seat (A) by connecting the female receivers to the male connectors. Ensure that female receivers on each side of the backrest are connected to the seat male connectors. Install all backrests of sectional pieces in the same way described above.

KD Wing Assemble:

Hold the back KD wings and flap with both hands and line male and female brackets together (L matches L, R matches R). Apply downward force to top of back (one side at a time) to ensure snap engagement.



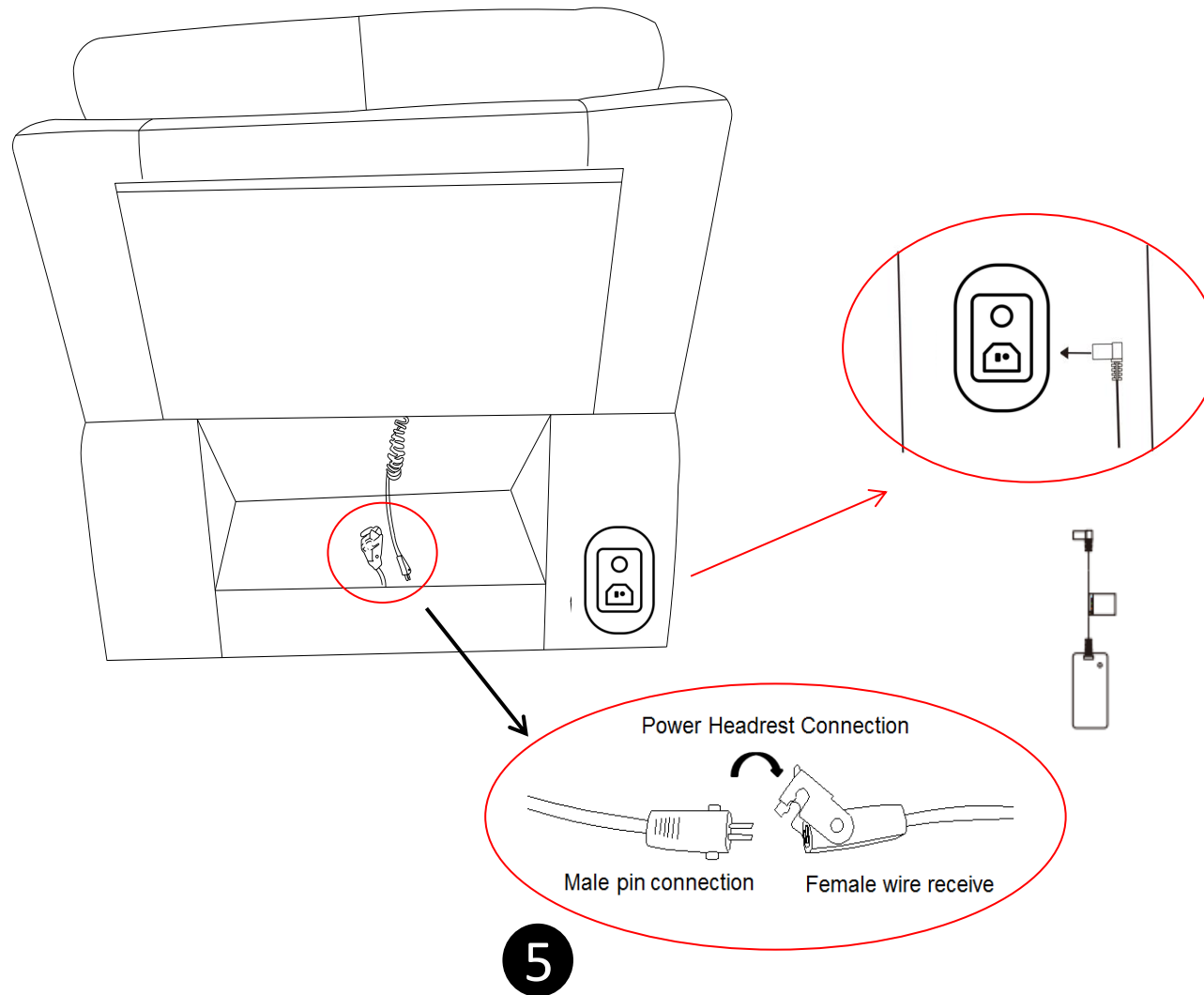
# POWER CONNECTIONS

## STEP 2

Lift velcroed flap located at the bottom back of the recliner .

Latch male pin connector from backrest (headrest motor wire ) to female wire receiver located in the back bottom of the recliner underneath the flap.

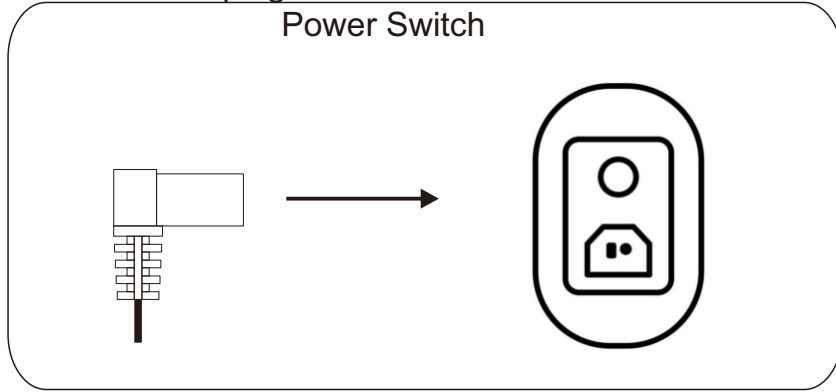
This instruction is applicable to recliner dual power.



# POWER CONNECTIONS

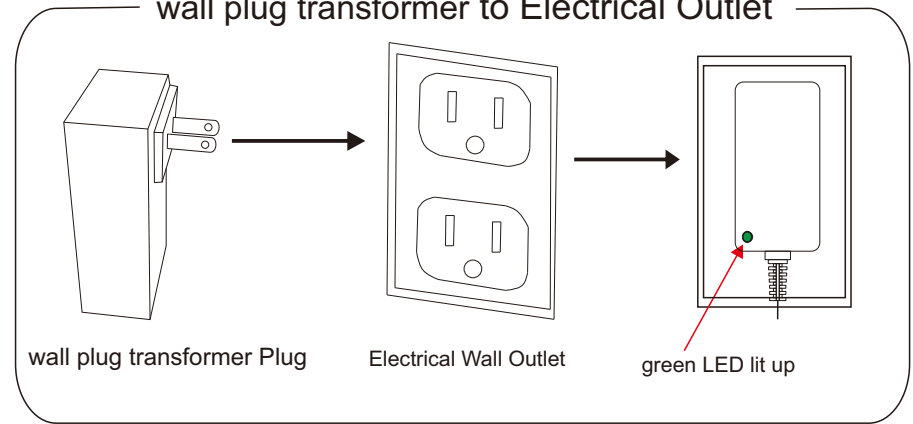
STEP 3 :Connects wall plug transformer to transformer switch.

wall plug transformer to Transformer  
Power Switch



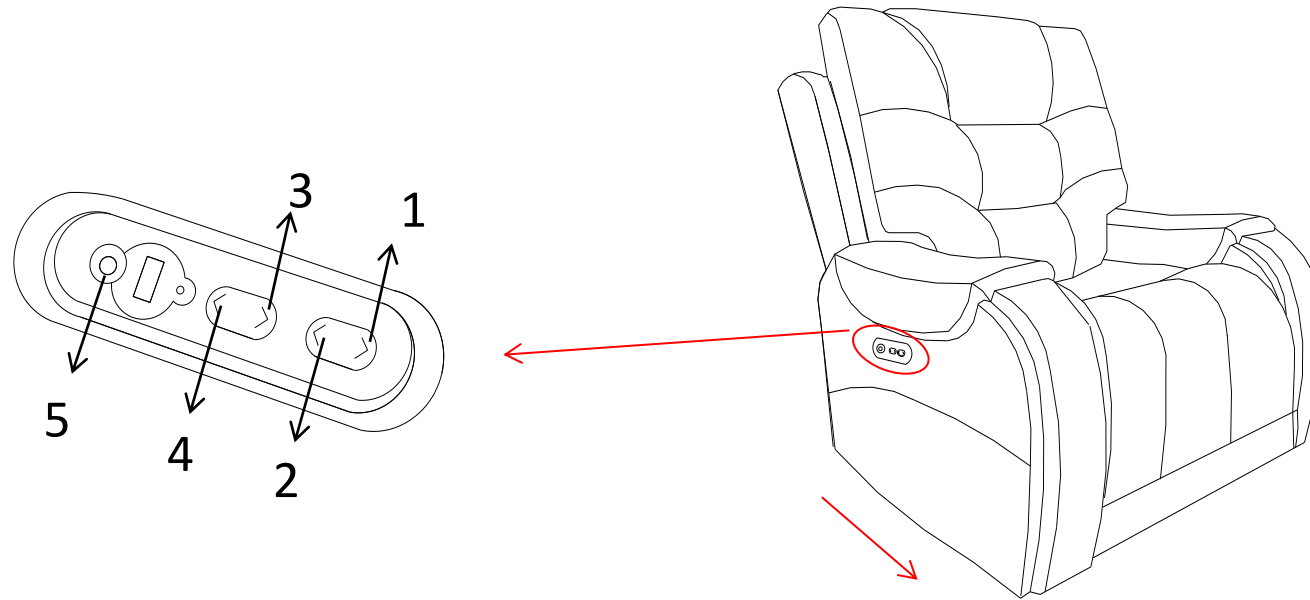
STEP 4 :Connects wall plug transformer to outlet.

wall plug transformer to Electrical Outlet



# ELECTRICAL

## STEP 5

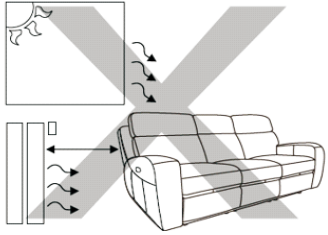


1. Press button for Seat Forward
2. Press button for Seat Backwards
3. Press button for Headrest Forward
4. Press button for Headrest Backwards
5. Home Button

# WARNINGS

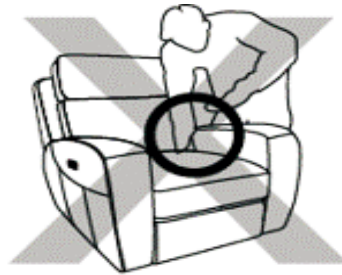
\*Keep unit at least 24" from all heat sources.

\*Avoid placing unit in areas where unit can be exposed to direct sunlight or other powerful light sources, as fading or discoloration may occur.



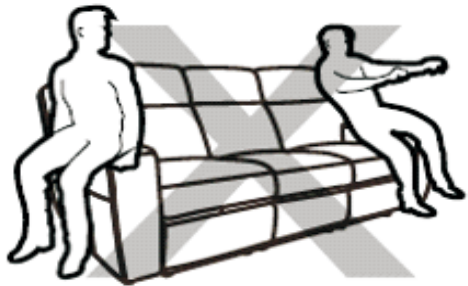
\*Do not reach under seat when mechanism is operating or serious injury may occur.

\*Reclining mechanism should only be operated while seated properly.

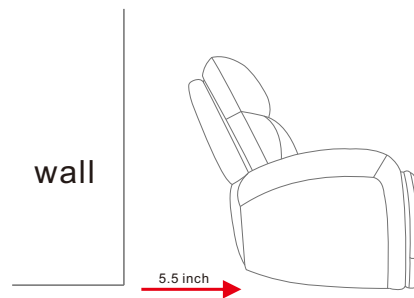


\*Do not sit on arms or backrest.

\*Do not jump or roughhouse on furniture.

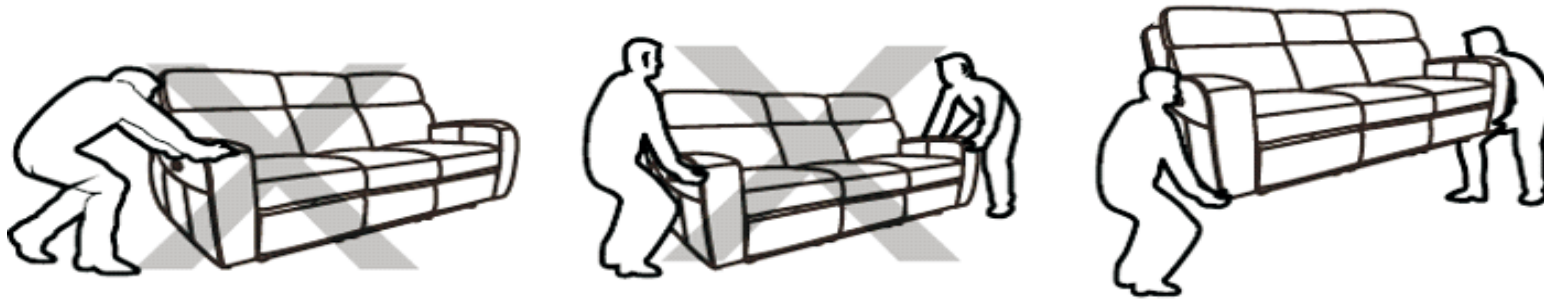


\*Keep unit at least 5.5 inch from the wall.





\*If unit must be moved, do not drag. Unit must be lifted in order to be moved.



\*Do not continuously operate mechanism for more than one minute or unit may go into protection mode by shutting down to prevent overheating.

\*Unplug unit from power source prior to cleaning mechanism.

\*Do not allow electrical components to come into contact with any liquids.

## CARE AND CLEANING

\*Upholstered furniture is packaged tightly to protect it during transit. This packaging can sometimes cause creases or misshaped cushions when the furniture comes out of the packaging. These issues will correct themselves over time as the fibers of the cushions are exposed to air. However, shaping the cushions with your hands can alleviate the creases and compressed fibers more quickly.



Before shaping



After shaping



\*Dust often and use a vacuum cleaner to remove debris from seams and crevasses.

\*Use a soft damp cloth to gently clean soiled areas and wipe clean. Do not rub.

\*Do not use household cleaners or solvents. Such cleaners may cause damage and/or discoloration.

\*Do regularly use dedicated leather care product onto the leather furniture to prevent built up of body oils.

# TROUBLESHOOTING

PROBLEM	SOLUTION
Headrest not working	Ensure that wall power outlet is functional Step 2,3,4
Not Reclining	Ensure that wall power outlet is operational Step 3, 4
USB not working	Check all power connections Step 3, 4
Backrests gaps	Ensure the backrests are properly clipped into the male posts located on seat mechanism. Check that brackets are not loose, positioned improperly or bent.