

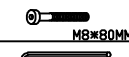
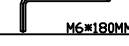
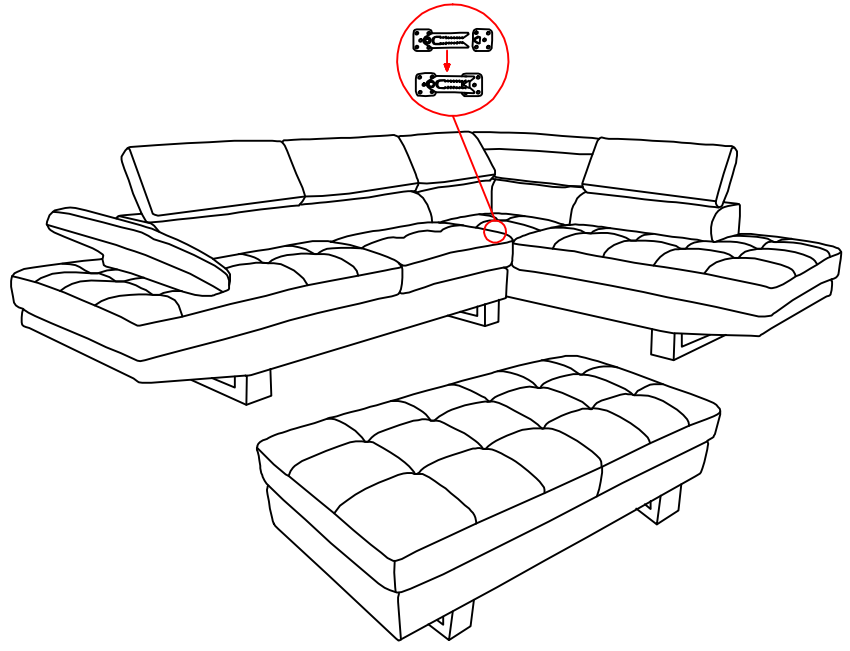
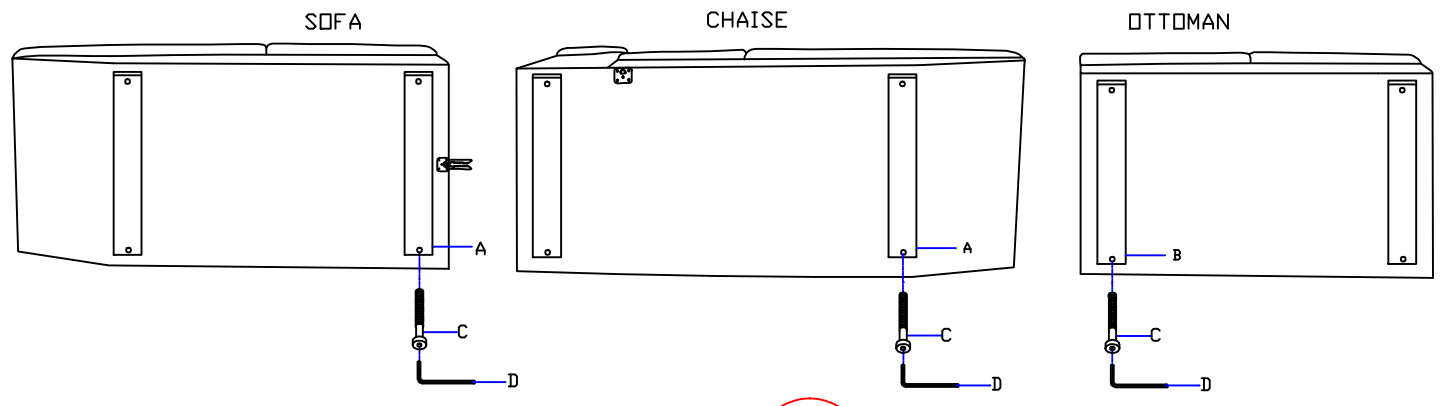
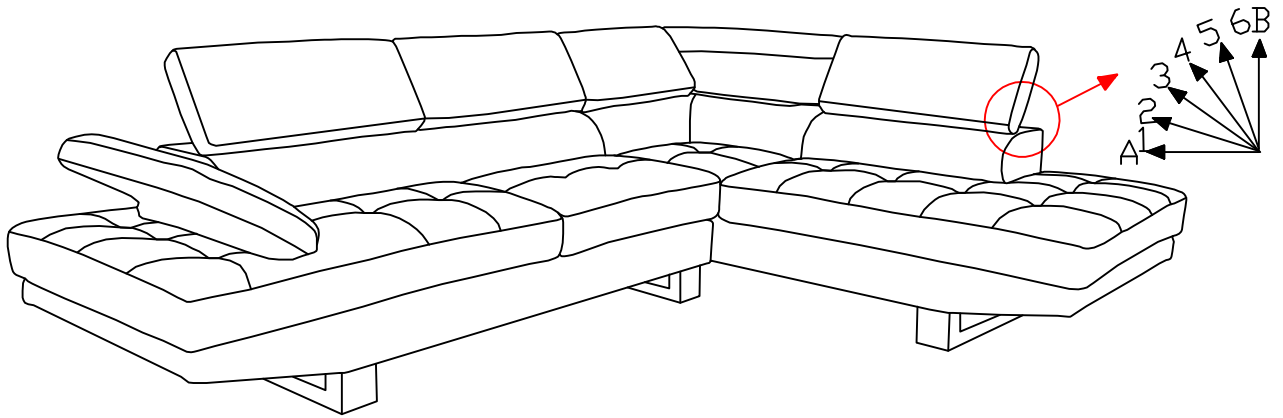


SHLI Assembly Instruction
 Instruction d'Assemblage

SKU:12511374 12111376 12211378 SKU:12511386 12111388 12211380
 12311370 12411372 12311382 12411384
 ITEM:1137P Slate/Amigo ITEM:1137P Dove/Amigo

Hardware List			SOFA	CHAISE	OTTOMAN
A		Feet	2PCS	2PCS	N/A
B		Feet	N/A	N/A	2PCS
C		Screws	4PCS	4PCS	4PCS
D		Allen Key	1PC	1PC	1PC





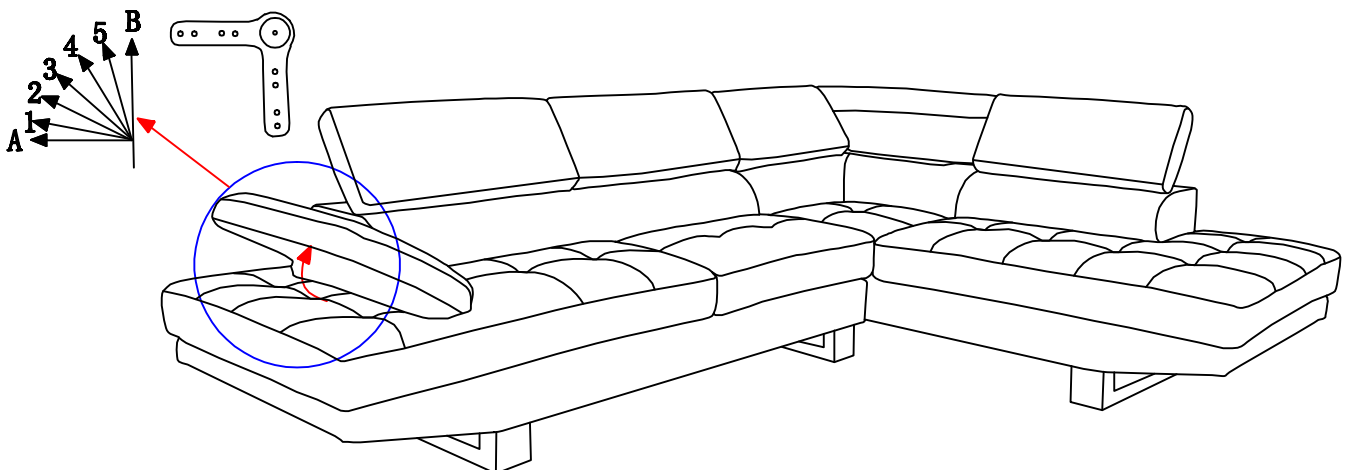
The sofa headrest features a ratchet function for customizable comfort. From "A" to "B" there are 6 intermediate positions.

1. Flip the headrest from position A to 1, 2, 3, 4, 5 & 6 and the headrest will stay at one of the 6 different Positions.

2. Raise the headrest to position B in order to release the gear and return to position A.

3. Push the headrest all the way down to position A to reset the mech and start over.

4. Do not sit on the headrest



The sofa arm features a ratchet function for customizable comfort.

From "A" to "B" there are 5 intermediate positions.

1. Flip the Arm from position A to 1, 2, 3, 4 & 5 and the ARM will stay at one of the 5 different Positions.

2. Raise the arm to position B in order to release the gear and return to position A.

3. Push the arm all the way down to position A to reset the mech and start over.

4. Do not sit on the arm

END