



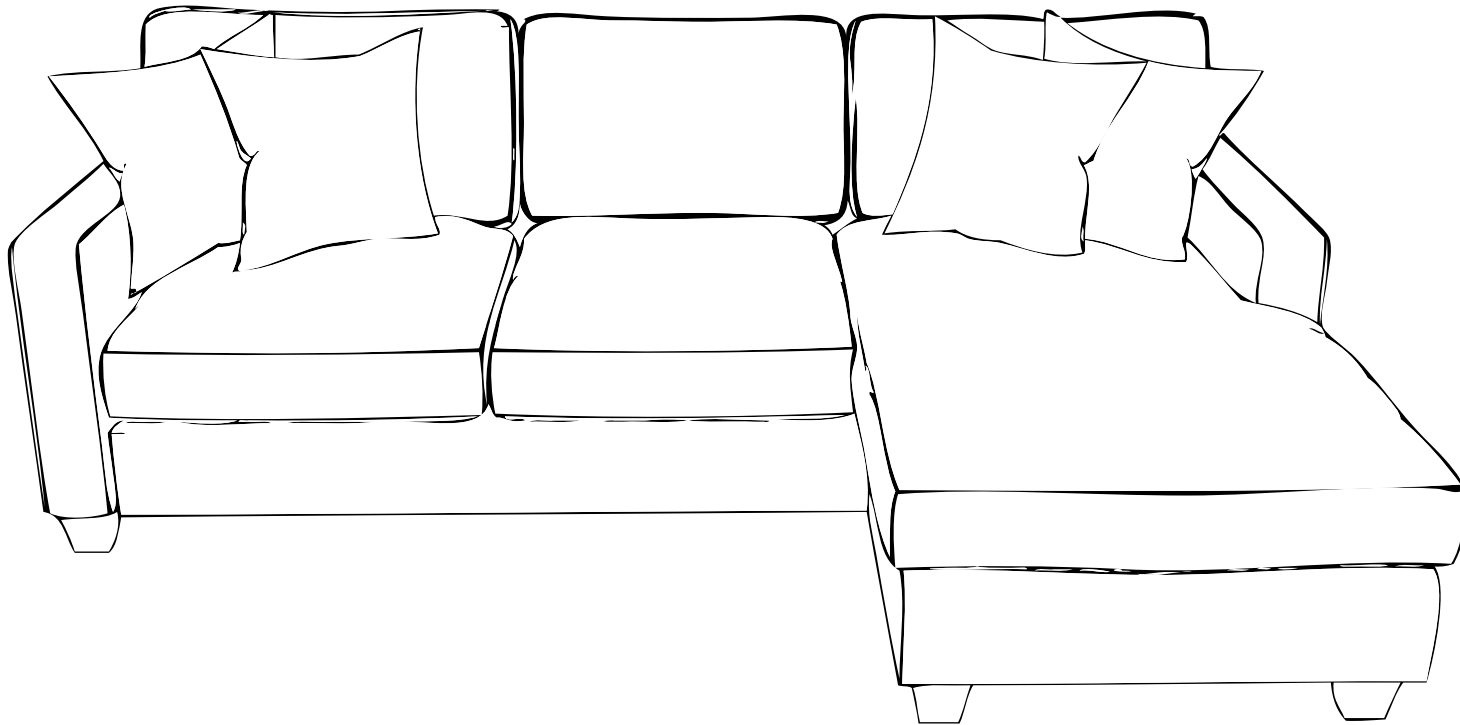
MANUFACTURED FOR ROOMS TO GO

## ASSEMBLY INSTRUCTION

VENDOR CODE: TXNS  
STOCK#: 8180-70 CHAISE

Update:12/20/2024 Version #: 2

SKU#:12081838  
SKU#:12081826





Part Location

VENDOR CODE: TXNS  
 STOCK#:8180-70 CHAISE

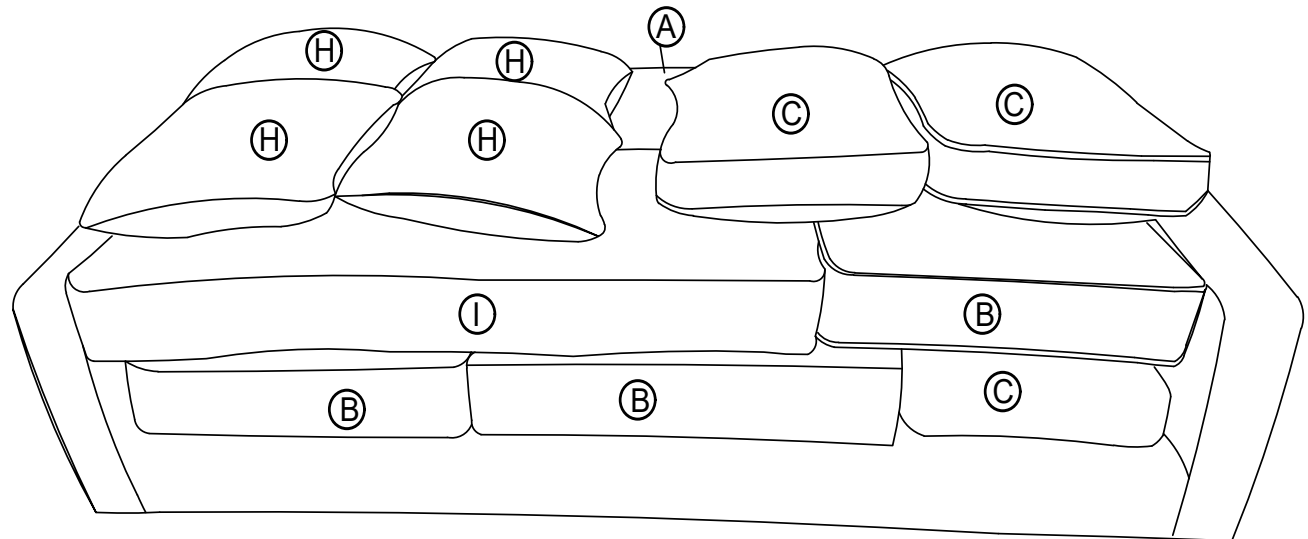
SKU#:12081838  
 SKU#:12081826

Update:12/20/2024 Version #: 2

MANUFACTURED FOR ROOMS TO GO

TOOLS REQUIRED: NO			
PART LIST			
NO	Description	Sketch	Quantity
A	SOFA		1
B	Base Platform		1
C	BACK CUSHIONS		3
D	SEAT CUSHIONS		2
E	CORNER LEGS		8
F	CENTER LEG		1
G	PLASTIC WASHERS		8
H	PILLOWS		4
J	CHASE SEAT CUSHIONS		1

Legs (part E & F) and Seat and back cushions (part C & D) are packed stacked with the back on top (part A).



pillows (part H) are packed in the zippered pocket on the bottom of the sofa.



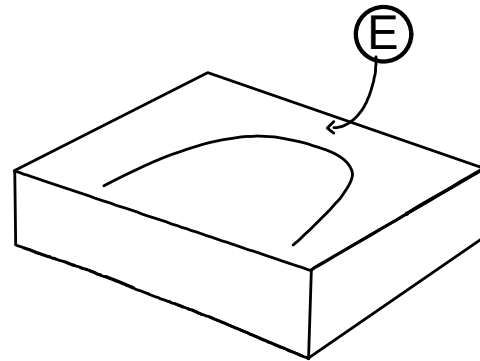
MANUFACTURED FOR ROOMS TO GO

Part Location

VENDOR CODE: TXNS  
STOCK#:8180-70 CHAISE  
Update:12/20/2024 Version #: 2

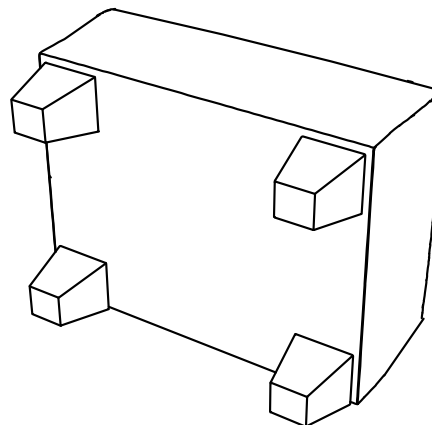
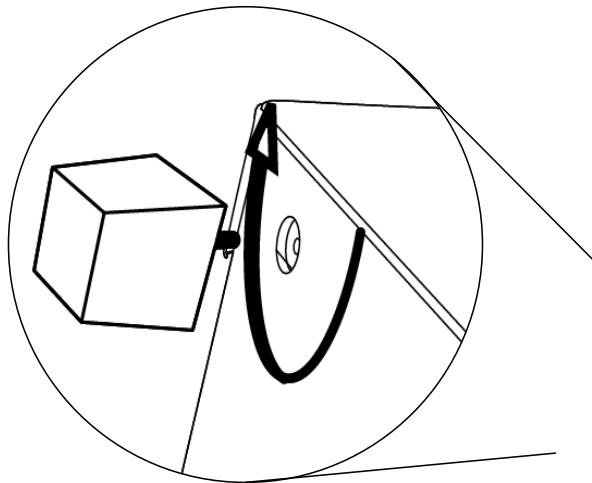
SKU#:12081838  
SKU#:12081826

Feet (part E) are stored in base of ottoman (part B)

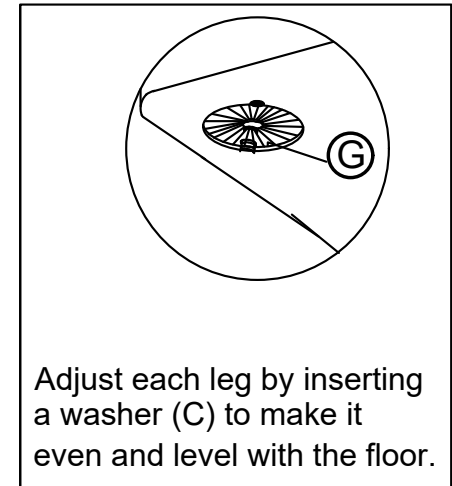


**Step 1**

Screw in legs (part E) into ottoman base (part B) by rotating clockwise.



OPTIONAL



③



MANUFACTURED FOR ROOMS TO GO

# ASSEMBLY

VENDOR CODE: TXNS  
STOCK#:8180-70 CHAISE

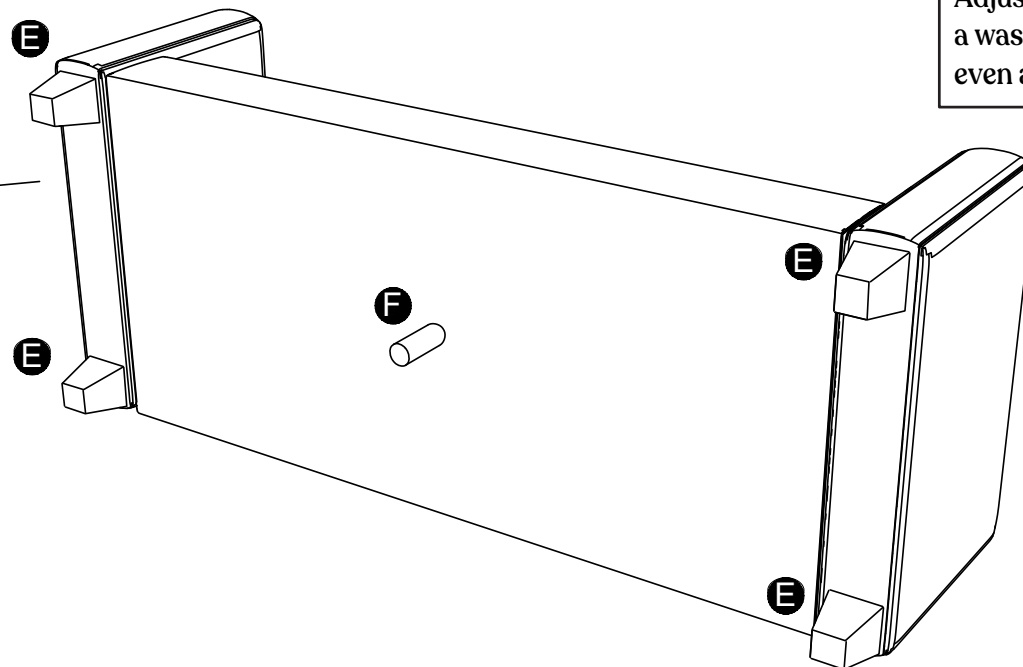
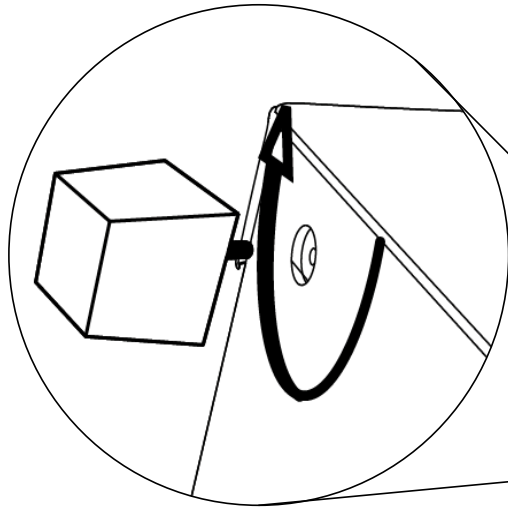
Update:12/20/2024 Version #: 2

SKU#:12081838

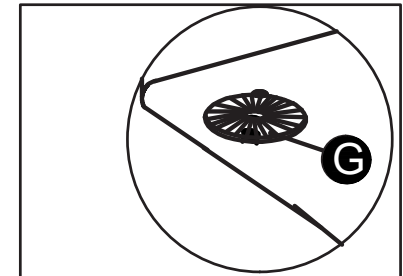
SKU#:12081826

## Step 2

Screw in corner legs (parts E) and centerleg (part F) clockwise into underside of seat (parts B)



## OPTIONAL



Adjust each leg by inserting a washer (G) to make it even and level with the floor.

# ASSEMBLY



MANUFACTURED FOR ROOMS TO GO

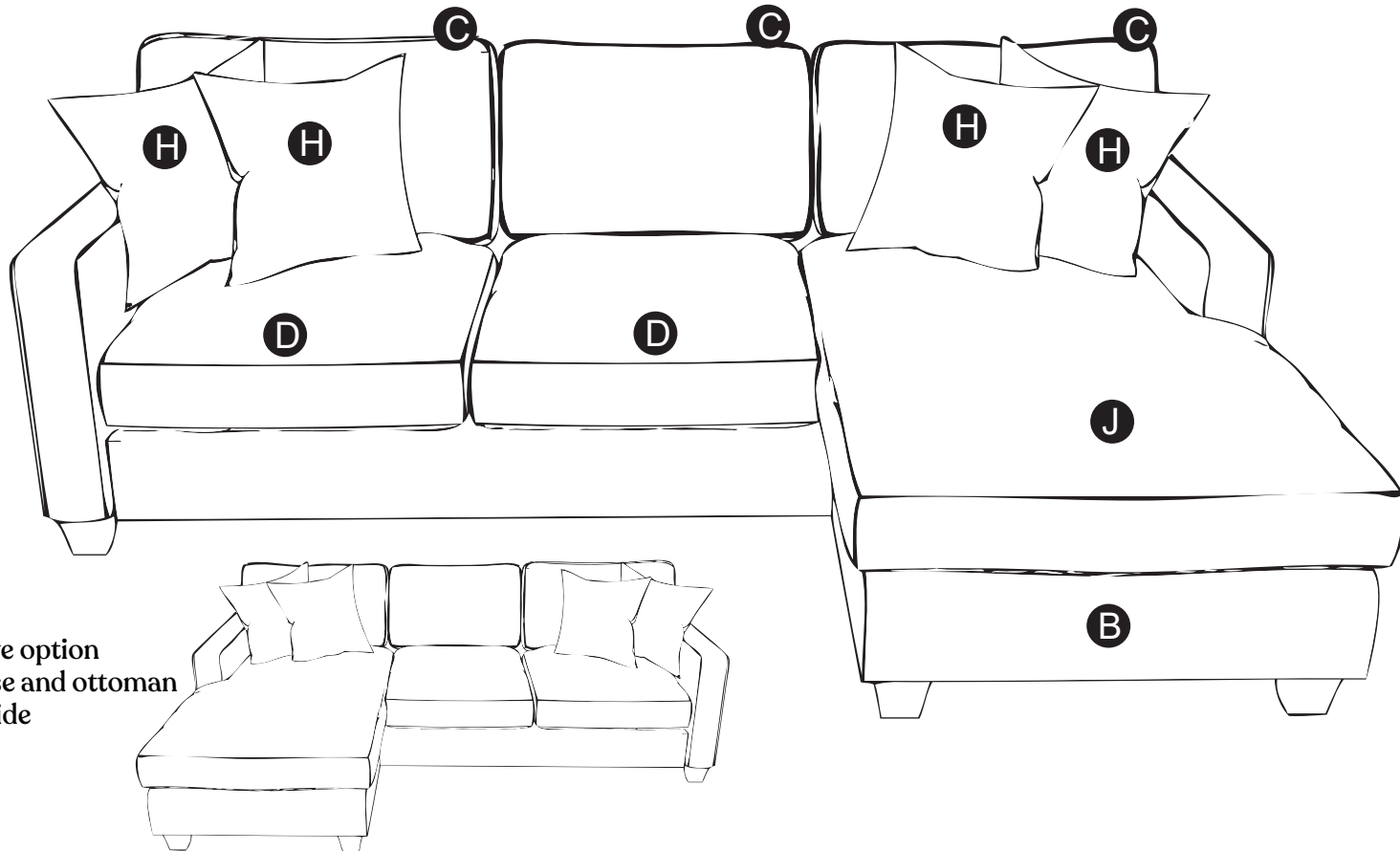
VENDOR CODE: TXNS  
STOCK#:8180-70 CHAISE

Update:12/20/2024 Version #: 2

SKU#:12081838  
SKU#:12081826

## Step 3

Place Ottoman (part B) on side of sofa you want chaise. Put Chaise (part J) ontop of sofa and ottoman.  
Add seat cushions (parts ) and back cushions (parts C).  
Add throw pillows (parts H) to top of seat cushions (parts D).



Alternative option  
with chaise and ottoman  
on otherside