

# ASSEMBLY INSTRUCTIONS

## MIYO 9145-69 WOOD TOP COCKTAIL OTTOMAN SKU: 12091459

Version #1 - 2024/06/24

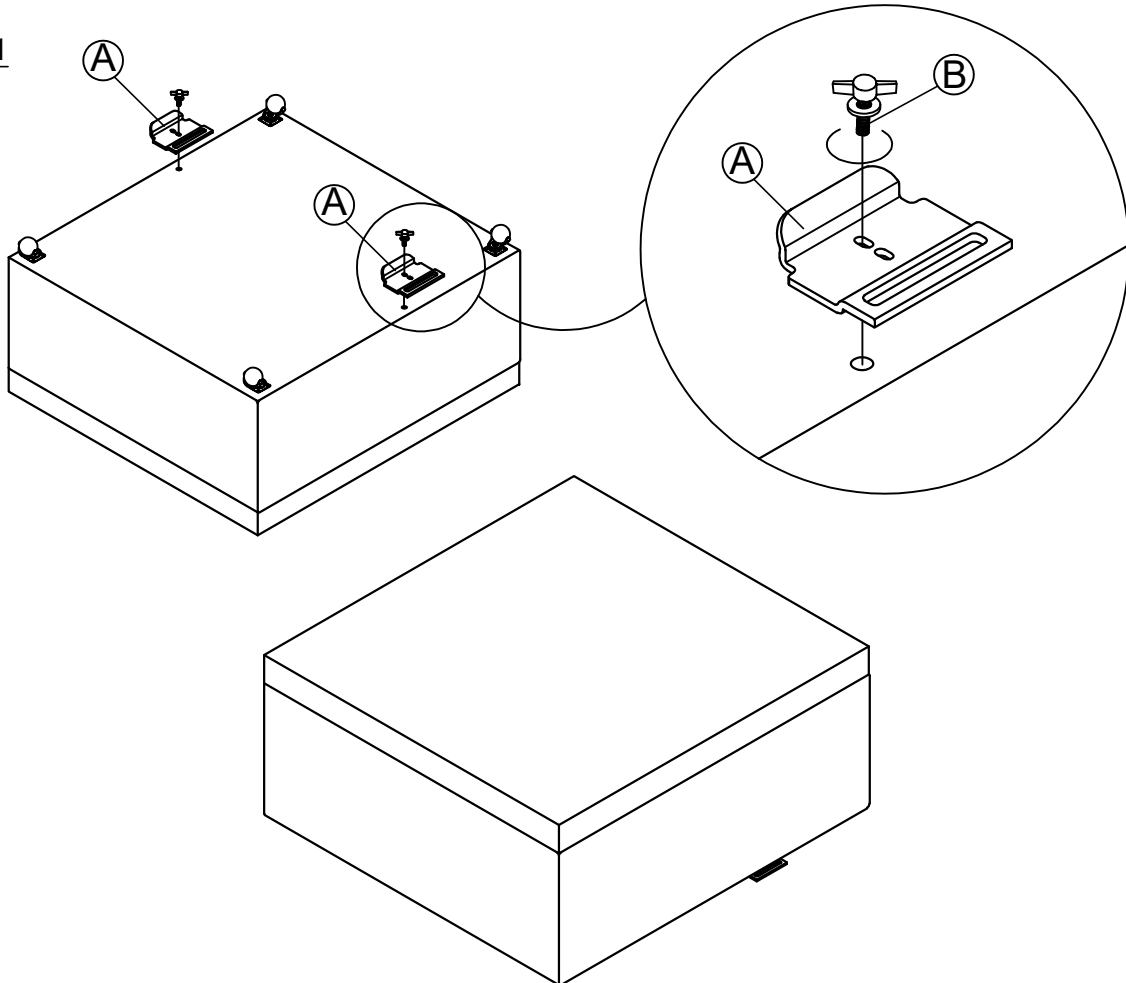
**Caution:** Please read instructions thoroughly before unpacking assembly parts. Sharp, exposed staple tips can cause injury, therefore, for your protection, please remove any exposed staple used in packing.

1. We recommend that you should assemble this product with the assistance of another person; this will make assembly easier, and will help to eliminate damage to the product or injury to persons during assembly.
2. Be sure to check all packing materials carefully for small parts that may have come loose inside the carton during shipment.
3. Please do not over tighten screws or bolts.
4. Please put all parts on a non-abrasive floor before assembly, and follow the assembly steps to assemble your newly purchased product correctly and efficiently.

HARDWARE LISTS			
NO.	OUTLOOK	SIZE	Q'TY
A		SECTIONAL CONNECTOR	2PCS
B		THUMBSCREW 5/16 x 18 x 1-1/4"	2PCS
		FIAT WASHER Ø5/16" x 19mm x 1.5mm	2PCS

PART LISTS			
NO	SKETCH	DESCRIPTION	Q'TY
1		COCKTAIL OTTOMAN	1PC

### STEP 1



Hardware pack locations

9145-69 Wood Top Cocktail Ottoman SKU: 12091459