



ASSEMBLY INSTRUCTIONS

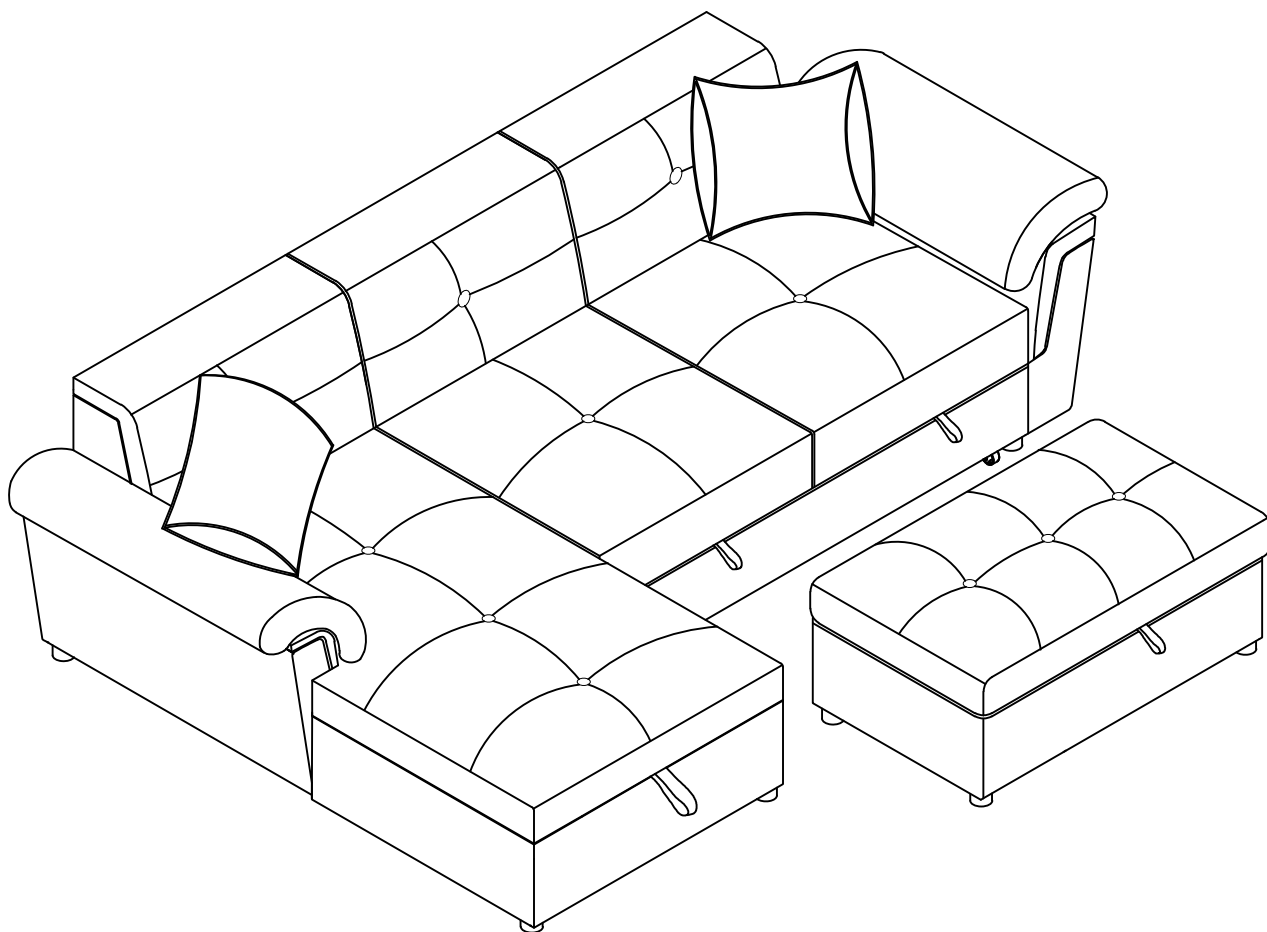
MODEL : #9011-00 Ottoman SKU#:12590116

#9011-82 Raf Sleeper SKU#: 12190118

#9918-85 Laf Chaise SKU#:12290110

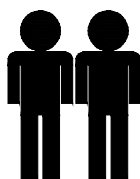
Thank you purchasing this quality product. Be sure to check all packing materials carefully for small parts that may have come loose inside the carton during shipment. Before you start assembly : Please read all instructions carefully before beginning the assembly process. It is recommended that 2 people work together during assembly to prevent personal injury and to ensure that heavy or cumbersome parts are not damaged during the process.

CAUTION : For your safety, this product requires two people to lift.

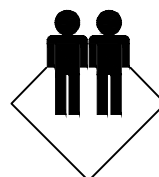


20 MINUTES

APPROXIMATE ASSEMBLY TIME

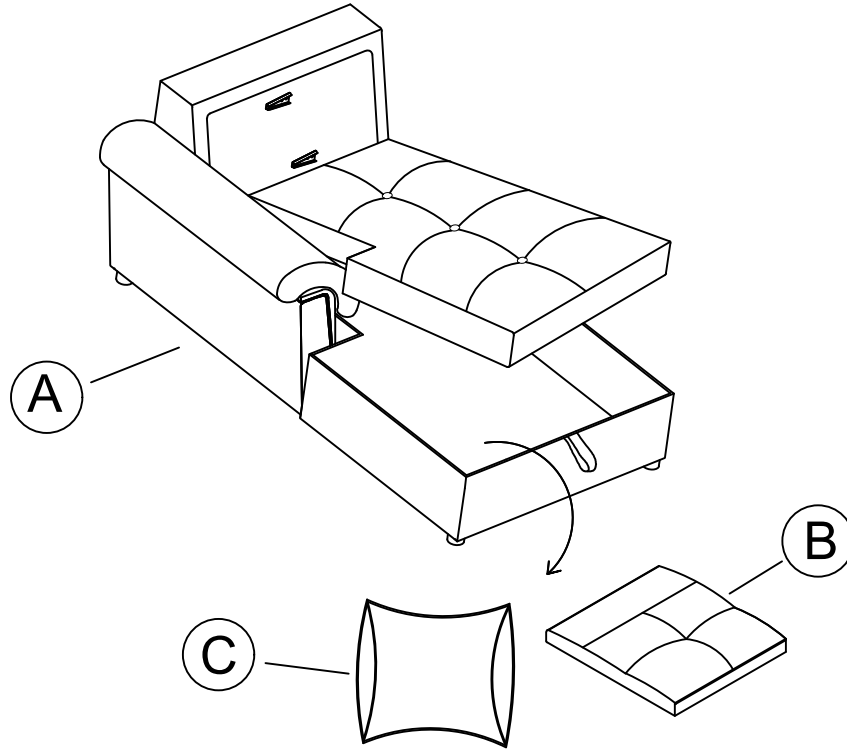


2 PERSON



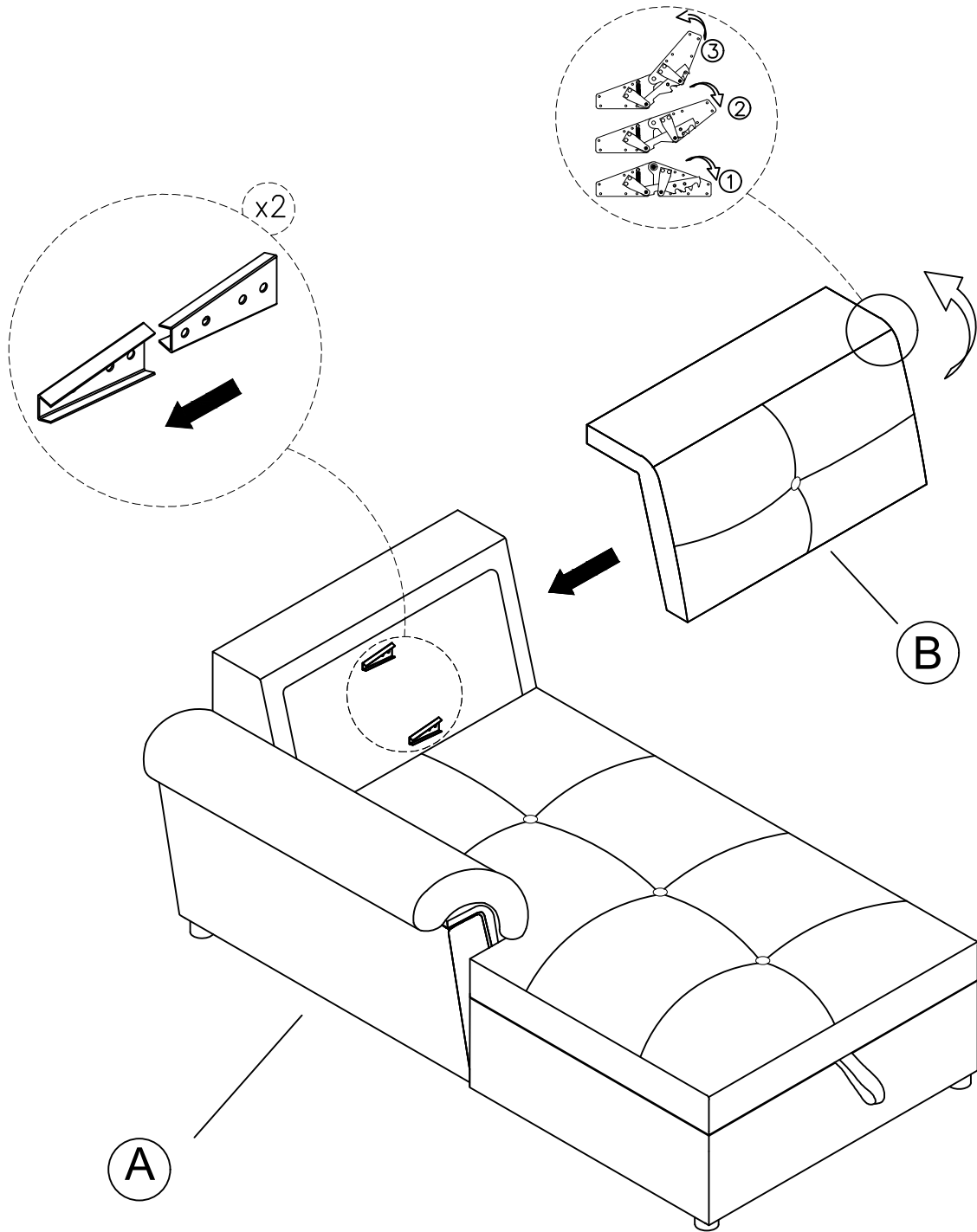
REQUIRED ASSEMBLY SPACE

STEP 1

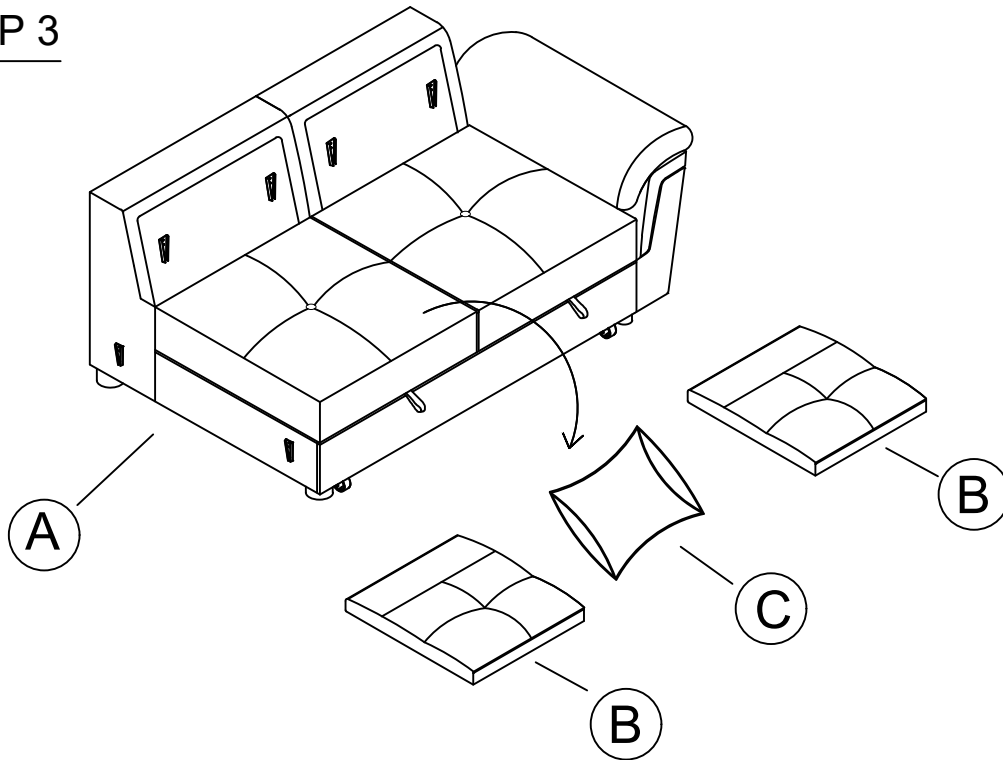


| NO | PICTURE | PART LIST | Q.TY |
|-----|---------|--------------|------|
| (A) | | Body | 1 |
| (B) | | Back Cushion | 1 |
| (C) | | Pillow | 1 |

STEP 2

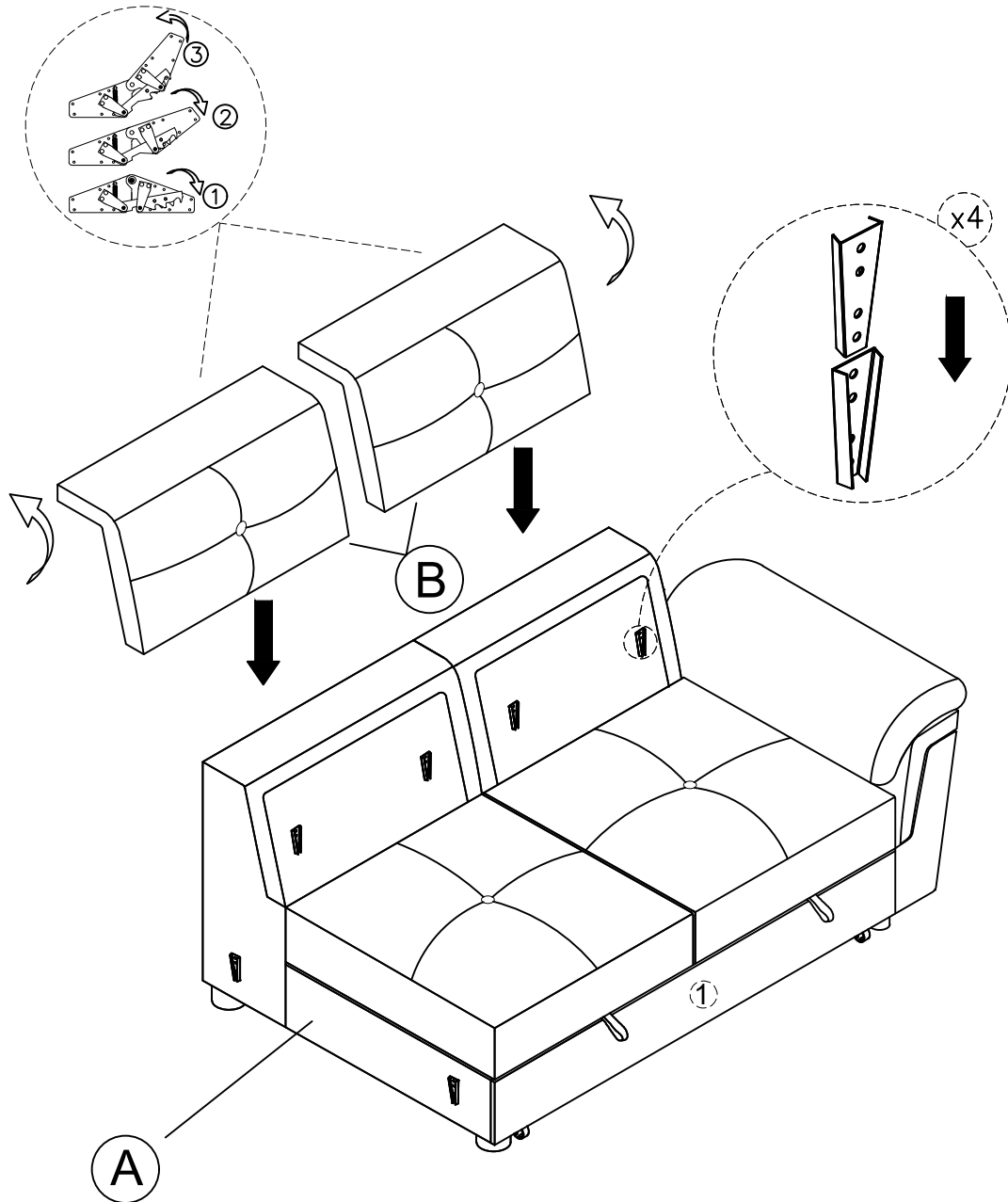


STEP 3

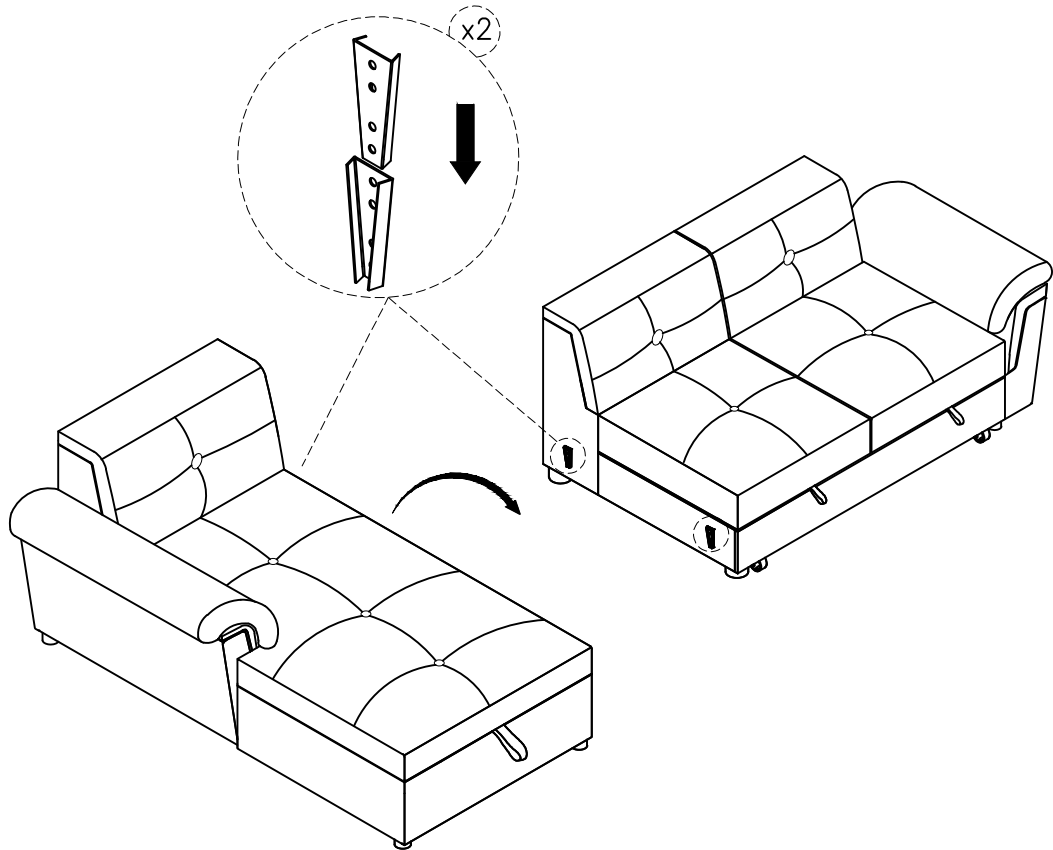


| NO | PICTURE | PART LIST | Q.TY |
|-----|---------|--------------|------|
| (A) | | Body | 1 |
| (B) | | Back Cushion | 2 |
| (C) | | Pillow | 1 |

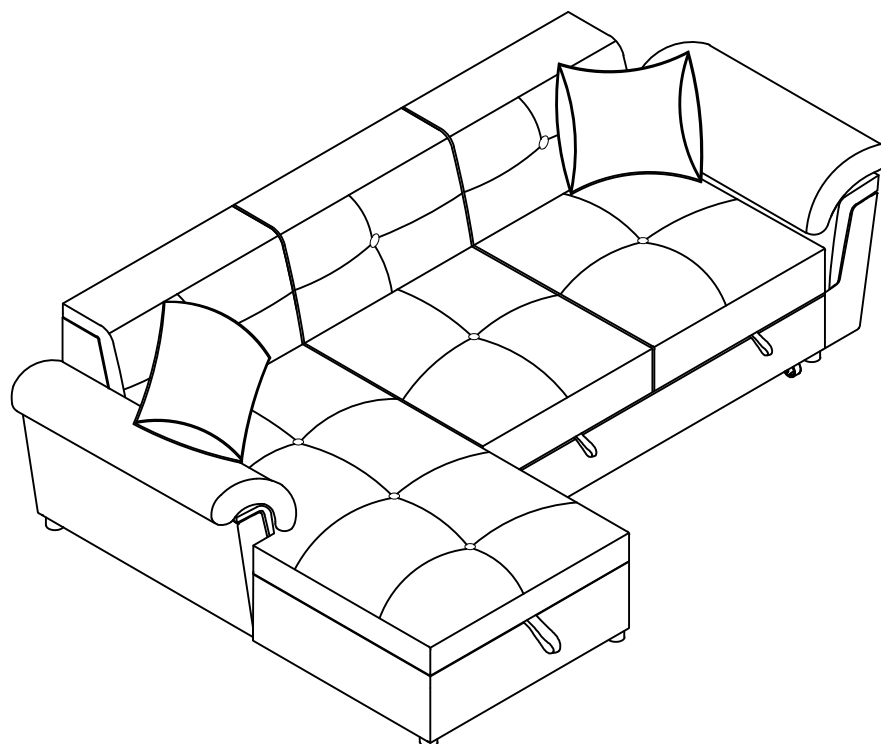
STEP 4



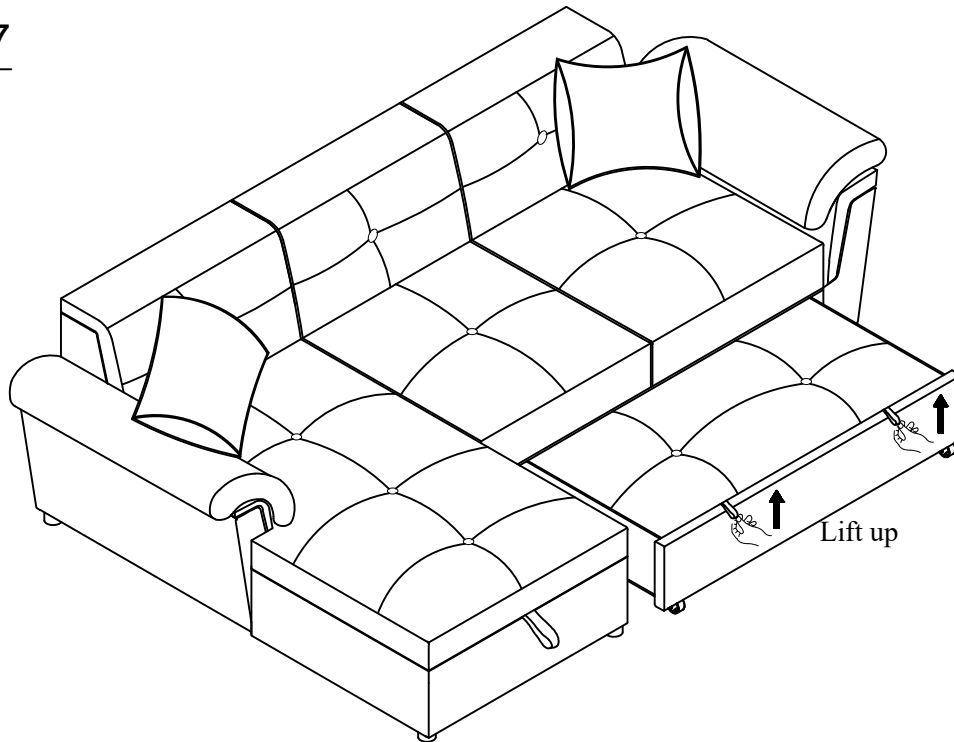
STEP 5



STEP 6



STEP 7



STEP 8

