



ALBANY

Assembly Instructions

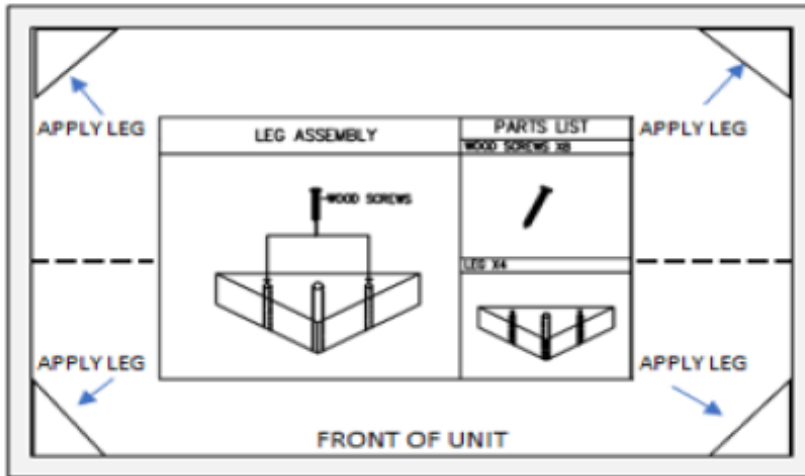
2225-37

OTTOMAN

SKU # 1262266

Manufactured by ALBI for Rooms To Go

Hardware	Size	Thread	Qty
HEX HEAD WOOD SCREWS	1/8"W x 2"L	13	8
TRIANGLE PLASTIC LEGS	7"W x 7"W x 7" x 2"H		4



The triangle legs should be evenly aligned on each bottom corner of the unit, approximately 1/4" - 3/8" from the edges. Place 2 screws, one in each of the screw holes. Secure the legs to the frame using a hex-head screwdriver bit and a power drill. Do not over tighten screws.

Assembly Tools needed, but not included - Hex-Head screwdriver bit, and power drill.

Hardware Pack Location Hardware can be located in the zippered compartment on the bottom of the unit.

Unit Type OTTOMAN **SKU(s)#** _____

Version # 1 **Date:** 9/12/2025

Page 1



Assembly Instructions

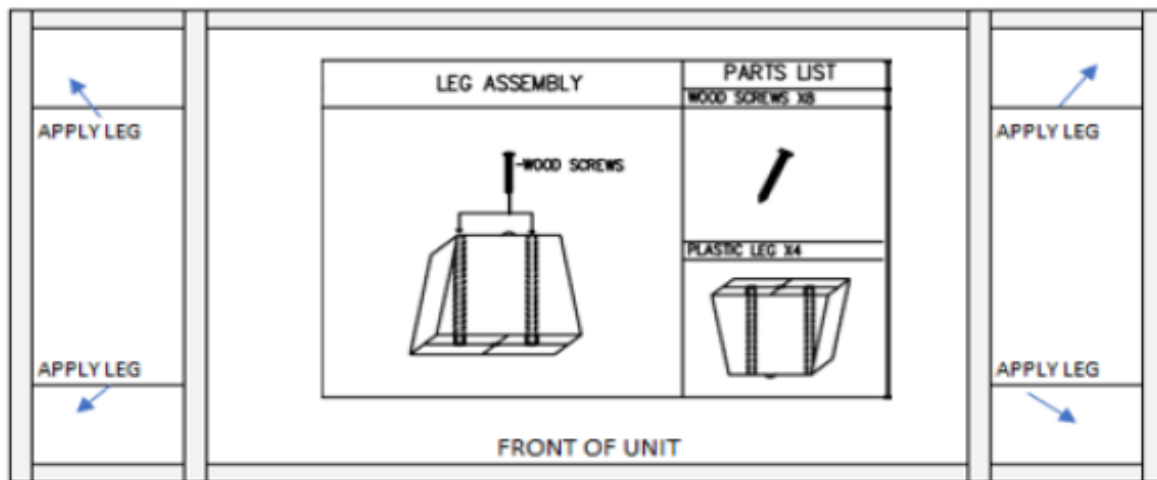
2225-65 RAF SOFA

SKU #1222268

Manufactured by ALBI for Rooms To Go

SKU # 1222270

Hardware	Size	Thread	Qty
HEX HEAD WOOD SCREWS	1/8"W x 2"L	13	8
PLASTIC LEGS	5"W x 5"W x 4.5"H		4



The legs should be evenly aligned on each bottom corner of the unit, approximately 1/4" - 3/8" from the edge. Place 2 screws, one in each of the screw holes. Secure the legs to the frame using a hex-head screwdriver bit and a power drill. Do not over tighten screws.

Assembly Tools needed, but not included - Hex-Head screwdriver bit, and power drill.

Hardware Pack Location Hardware can be located in the cushion seating area, in a colored bag.

Unit Type RAF SOFA SKU(s)# 1222268, 1222270

Version # 1

Date: 9/12/2025

Page 1



Assembly Instructions

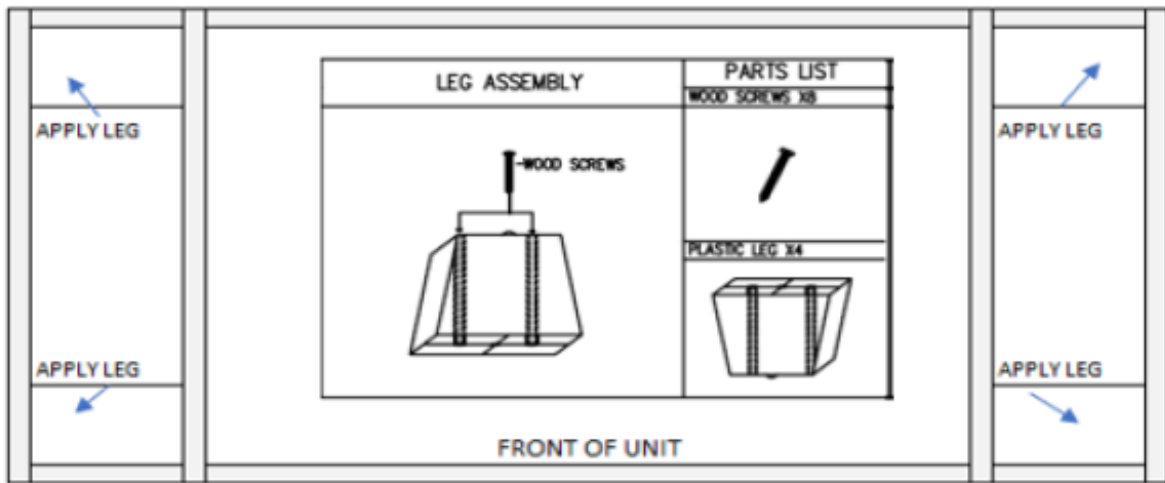
2225-63 LAF SOFA

SKU # 12122266

Manufactured by ALBI for Rooms To Go

SKU # 12122278

Hardware	Size	Thread	Qty
HEX HEAD WOOD SCREWS	1/8"W x 2"L	13	8
PLASTIC LEGS	5"W x 5"W x 4.5"H		4



The legs should be evenly aligned on each bottom corner of the unit, approximately 1/4" - 3/8" from the edge. Place 2 screws, one in each of the screw holes. Secure the legs to the frame using a hex-head screwdriver bit and a power drill. Do not over tighten screws.

Assembly Tools needed, but not included - Hex-Head screwdriver bit, and power drill.

Hardware Pack Location Hardware can be located in the cushion seating area, in a colored bag.

Unit Type LAF SOFA SKU(s)# 12122266, 12122278

Version # 1

Date: 9/12/2025

Page 1



Assembly Instructions

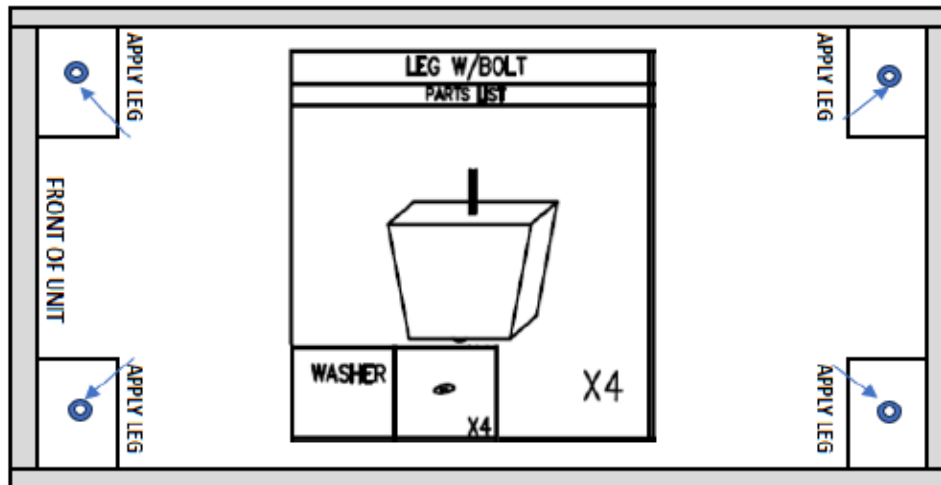
194-86

RECLINER

Manufactured by ALBI for Rooms To Go

SKU # 12522276

Hardware	Size	Thread	Qty
WOOD LEGS	5 -1/4"H X 3"	3/4	4
ROUND PLASTIC WASHERS	1-3/4 " DIAMETER		4



Align the hanger bolt with the threaded insert, on each bottom corner of the unit. Insert the bolt and turn the leg clockwise, until fully seated.

Assembly Tools included - No tools needed for assembly

Hardware Pack Location Hardware can be located in the cushion seating area, in a colored bag.

Unit Type RECLINER SKU(s)# 12522276

Version # 1

Date: 11/5/2025

Page 1