

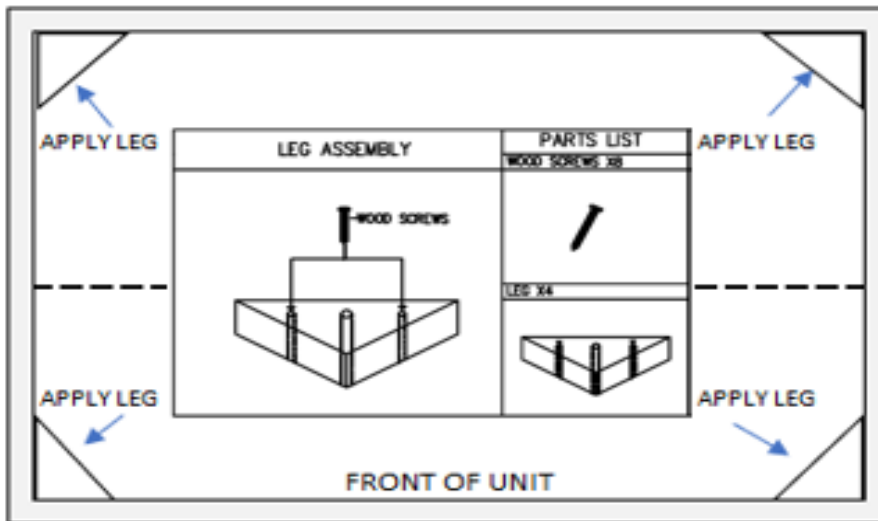


Assembly Instructions

672-32 OTTOMAN SKU # 12806723

Manufactured by ALBANY for Rooms To Go

Hardware	Size	Thread	Qty
HEX HEAD WOOD SCREWS	1/8"W x 2"L	13	8
TRIANGLE PLASTIC LEGS	7"W x 7"W x 7" x 2"H		4



The triangle legs should be evenly aligned on each bottom corner of the unit, approximately 1/4" - 3/8" from the edges. Place 2 screws, one in each of the screw holes. Secure the legs to the frame using a hex-head screwdriver bit and a power drill. **Do not over tighten screws.**

Assembly Tools needed, but not included - Hex-Head screwdriver bit, and power drill.

Hardware Pack Location Hardware can be located in the zippered compartment on the bottom of the unit.

Unit Type OTTOMAN SKU(s)# 12806723

Version # 1 Date: 12/17/2025